

COMPACT

Cylinders



Find out our
key products



Solution for most applications



Easy and intuitive choice



Excellent value for money



Wide availability



Fast delivery



Compact Cylinders

Features and certifications

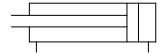
Series of compact cylinders not conforming to standards, available in bores from $\varnothing 6$ to 32, double acting, magnetic or non magnetic. The barrel with grooves allows the magnetic versions to mount magnetic reed switches directly in the tube. Supplied as standard in compliance with Reach and RoHS directives.

Type DU $\varnothing 16 + 32$

from page 1.18.20



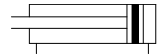
Compact cylinders not conforming to standards, available in bores from $\varnothing 16$ to 32, double acting, non magnetic.

Type DUM $\varnothing 6 + 32$

from page 1.18.20



Compact cylinders not conforming to standards, available in bores from $\varnothing 16$ to 32, double acting, magnetic. The barrel with grooves allows mounting magnetic reed switches directly.



Compact Cylinders

Options

Description	Symbol	Suffix
Anti-rotating plate (available from Ø 16)		N
Special versions on request		/S

The options, when this is possible, can be combined with each other. For options matching and code key, see the tables below.

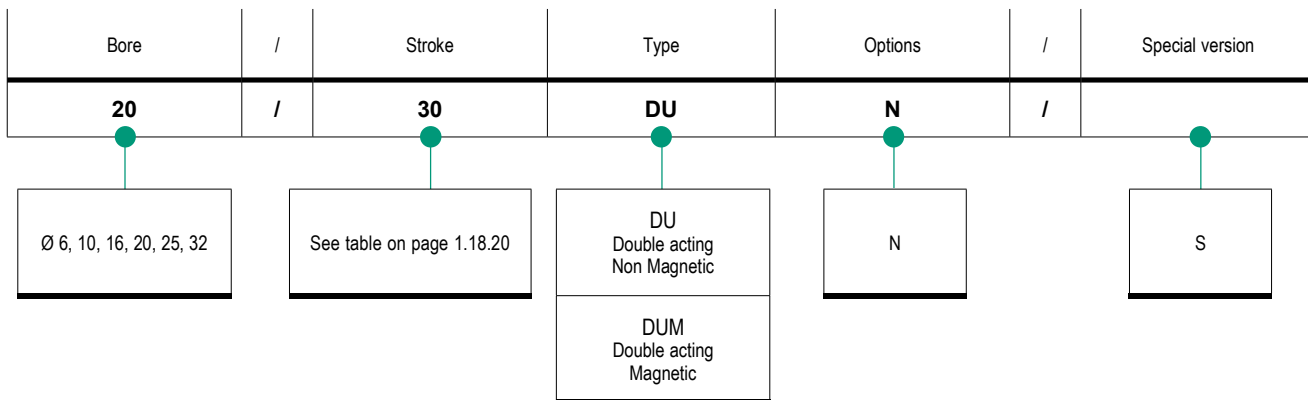
Options matching

Series	Bore	Model	Standard options matching
			N (Ø16÷32)
DU	Ø 6 ÷ 32	Standard	●
	Ø 16 ÷ 32	Anti-rotating plate (N)	
DUM	Ø 6 ÷ 32	Standard	●
	Ø 16 ÷ 32	Anti-rotating plate (N)	

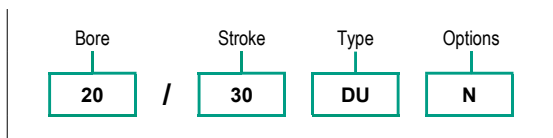
Key

- allowed matching; - not allowed matching

Code key



How to order



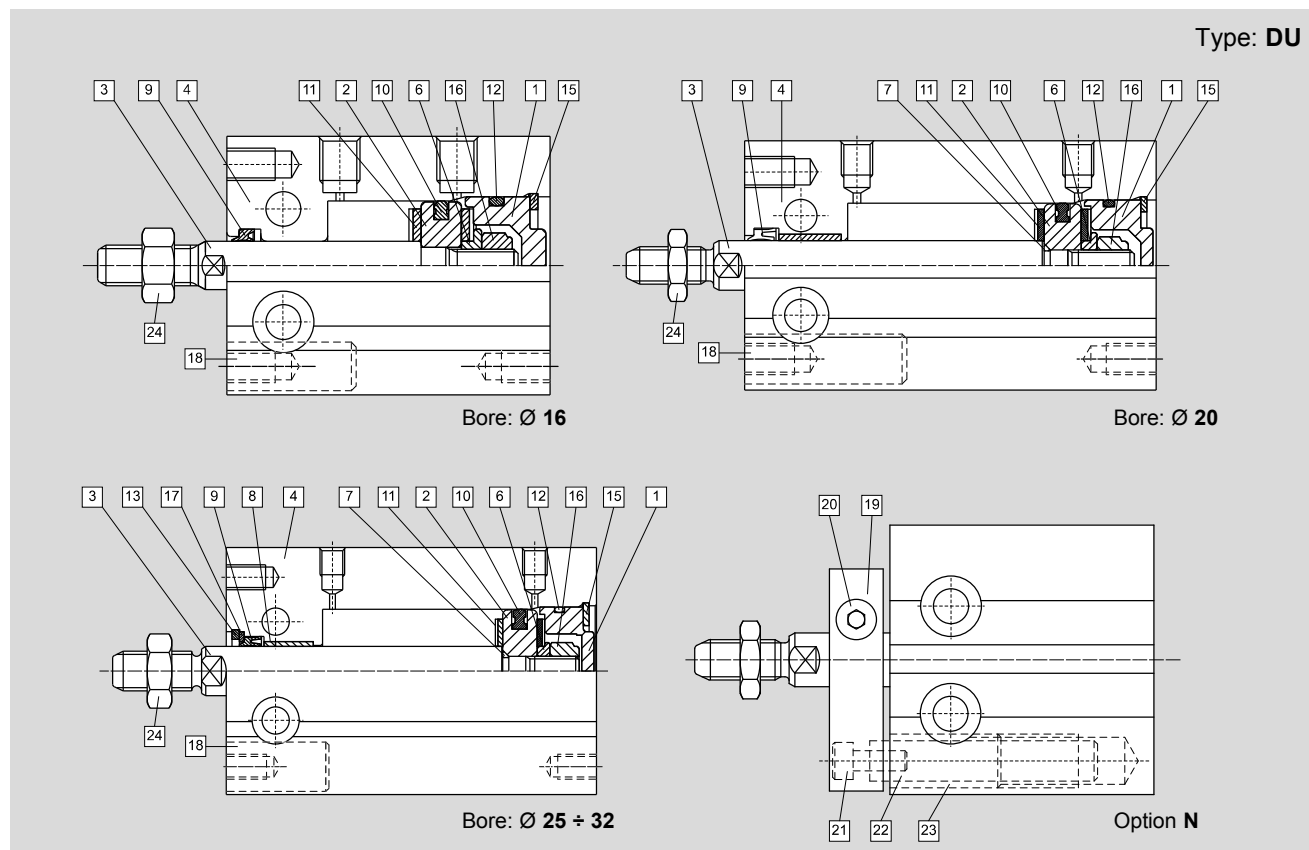
Notes

For further information on options and their matching, see tables above.

Compact Cylinders

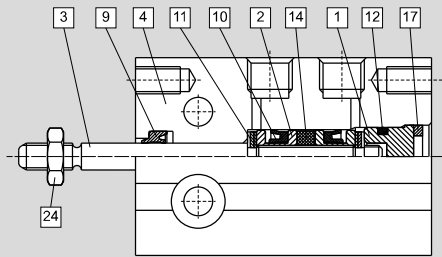
Standard materials

1 - CYLINDERS

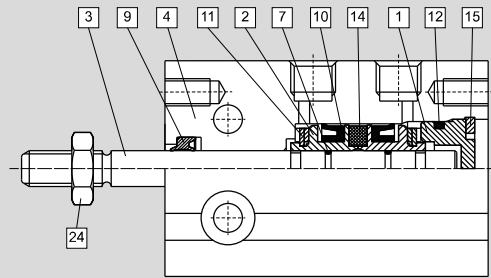


Position	Description	Materials					
		Ø 6	Ø 10	Ø 16	Ø 20	Ø 25	Ø 32
1	End cover	Hard anodised aluminium					
2	Piston	Brass			Hard anodised aluminium		
3	Rod	Stainless Steel			Carbon steel		
4	Tube	Hard anodised aluminium					
5	Magnet holder	Hard anodised aluminium					
6	T-washer	Nickel-plated carbon steel					
7	O-ring	NBR					
8	Oiless bearing	Oil-impregnated sintered alloy					
9	Rod packing	Polyurethane (PU)			NBR		
10	Piston seal	NBR					
11	Rubber lining	NBR					
12	Cylinder gasket	NBR					
13	Retaining ring	Nickel-plated carbon steel					
14	Magnet	Magnetic material					
15	Retaining ring	Nickel-plated carbon steel					
16	Piston nut	Galvanized carbon steel					
17	Rod washer	Stainless Steel					
18	Screw plug	Hard anodised aluminium					
19	Guide plate	Hard anodised aluminium					
20	Screw	Nickel-plated carbon steel					
21	Screw	Nickel-plated carbon steel					
22	Guide rod	Carbon steel					
23	Oiless bearing	Oil-impregnated sintered alloy					
24	Rod and nut	Stainless Steel			Nickel-plated carbon steel		

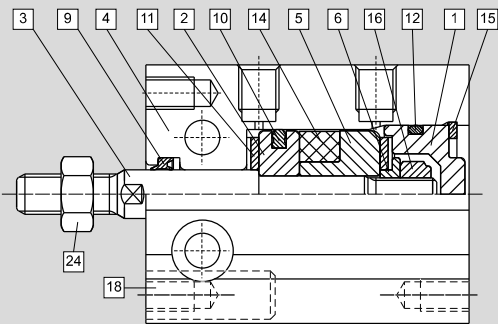
Type: DUM



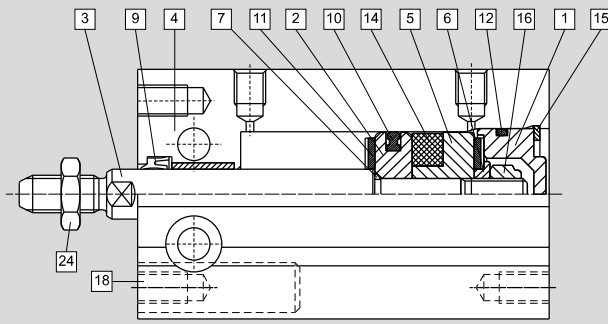
Bore: Ø 6



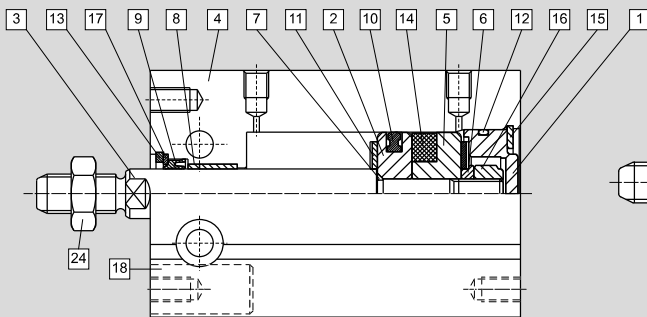
Bore: Ø 10



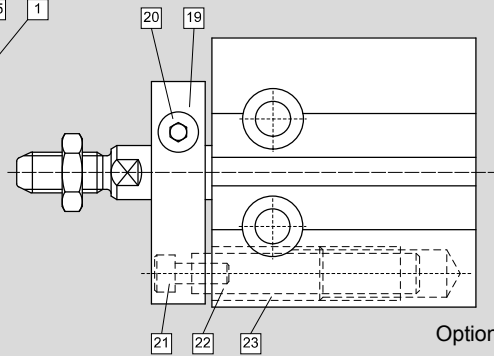
Bore: Ø 16



Bore: Ø 20



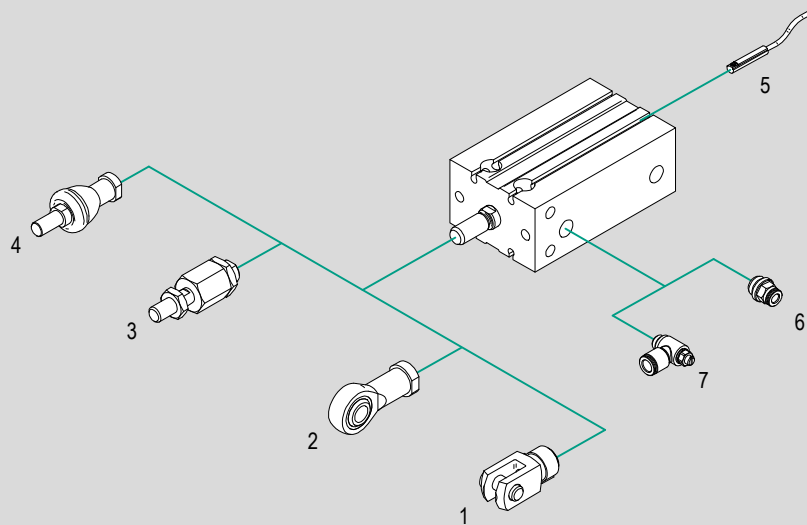
Bore: Ø 25 ÷ 32



Option N

Accessories

1 - CYLINDERS



N.	Cylinder bore	Item	Description	Compliance	Matching		Code page	Data sheet page
					DU	DUM		
1	Ø 10 ÷ 32	FF..DIN	DIN female clevis with clip	DIN 71752 UNI 1676	●	●	1.18.90	1.86.1
		FFP..DIN	DIN female clevis with pin and seeger		●	●		1.86.2
		FFN..DIN	DIN female clevis (body only)		●	●		
2	Ø 20 ÷ 32	RF..SE	Bearing head (DIN 648K) with female thread	ISO 8139	●	●		1.90.1
3	Ø 10 ÷ 32	GB..	Bearing - Self-aligning articulated coupling		●	●		1.90.10
					●	●		1.90.20
					●	●		1.90.30
4	Ø 16 ÷ 32	RBI..	Bearing - Axial articulated coupling		●	●	1.110.30	
	Ø 16 ÷ 25	RBL..	Bearing - Angular articulated coupling		●	●		
5	Ø 6 ÷ 32	ASC..	Magnetic reed switch C groove	-	-	●		
6	Ø 6 ÷ 32	R..	Push-in fittings		●	●	4.2.1	
7	Ø 6 ÷ 32	V..C	Flow controls, for cylinders		●	●	4.94.1	

Key

● matching accessory; - not matching accessory

1.18.6

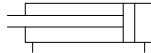
Compact Cylinders
Series DU - DUM

1 - CYLINDERS

Main features

16 ÷ 32

Bores Ø



Double acting
Non magnetic

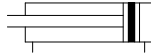
DU

Type



6 ÷ 32

Bores Ø



Double acting
Magnetic

DUM

Type



Technical data

Bore Ø mm	6	10	16	20	25	32	
Fluid	Filtered compressed air with or without lubrication. Lubrication, if started, must be continued.						
Pressure range	3 ÷ 7 bar	1,5 ÷ 7 bar		1 ÷ 7 bar			
Temperature range	-10°C ÷ +60°C						
Port	M5					1/8"	
Strokes	DU	-		5 ÷ 30 mm	5 ÷ 50 mm		
	DUM	5 ÷ 30 mm			5 ÷ 50 mm		
Rod thread	DU	-		M5	M6	M8	M10
	DUM	M3	M4	M5	M6	M8	M10

Standard strokes

Stroke mm	DU Bore Ø mm			
	16	20	25	32
5				
10				
15				
20				
25				
30				
40				
50				

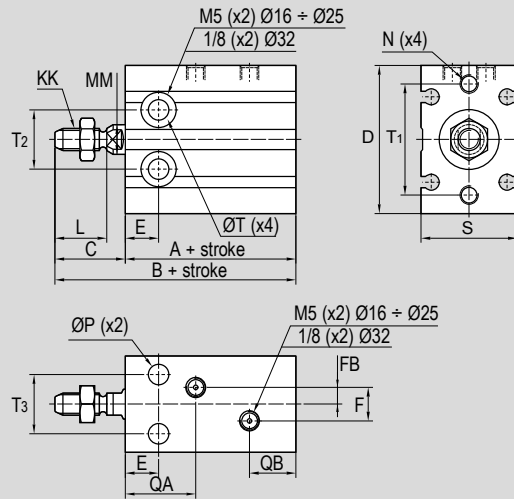
Stroke mm	DUM Bore Ø mm					
	6	10	16	20	25	32
5						
10						
15						
20						
25						
30						
40						
50						

Key
 Standard stroke

Compact Cylinders
Series DU

Standard dimensions

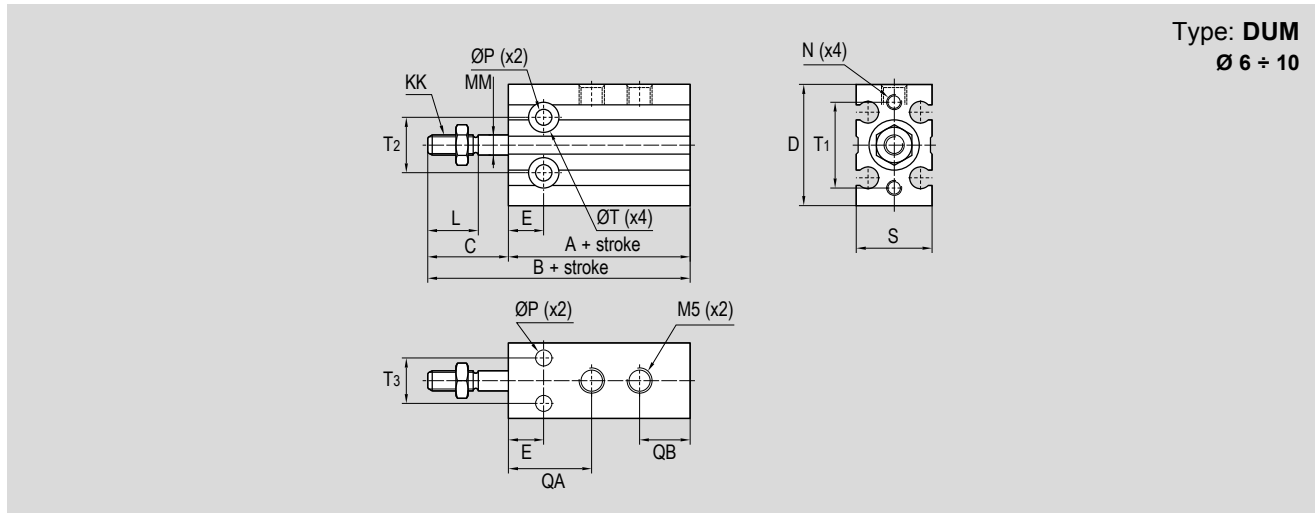
1 - CYLINDERS



Type: **DU**
Ø 16 ÷ 32

Ø (mm)	A	B	C	D	E	F	FB	L	KK	ØMM	N	ØP	QA	QB	S	T	T ₁	T ₂	T ₃
16	30	46	16	32	7	4	2	12,5	M5	6	M4	4,3	14	11,5	20	Ø 7,6 depth 6,5	25	14	12
20	36	55	19	40	9	9	4,5	14	M6	8	M5	5,2	18	12,5	26	Ø 9 depth 7,6	30	16	16
25	40	63	23	50	10	9	4,5	18	M8	10	M5	5,5	21,5	12,5	32	Ø 9,5 depth 9	38	20	20
32	42	69	27	62	11	13,5	4,5	22	M10	12	M6	6,6	23	13	40	Ø 11 depth 11	48	24	24

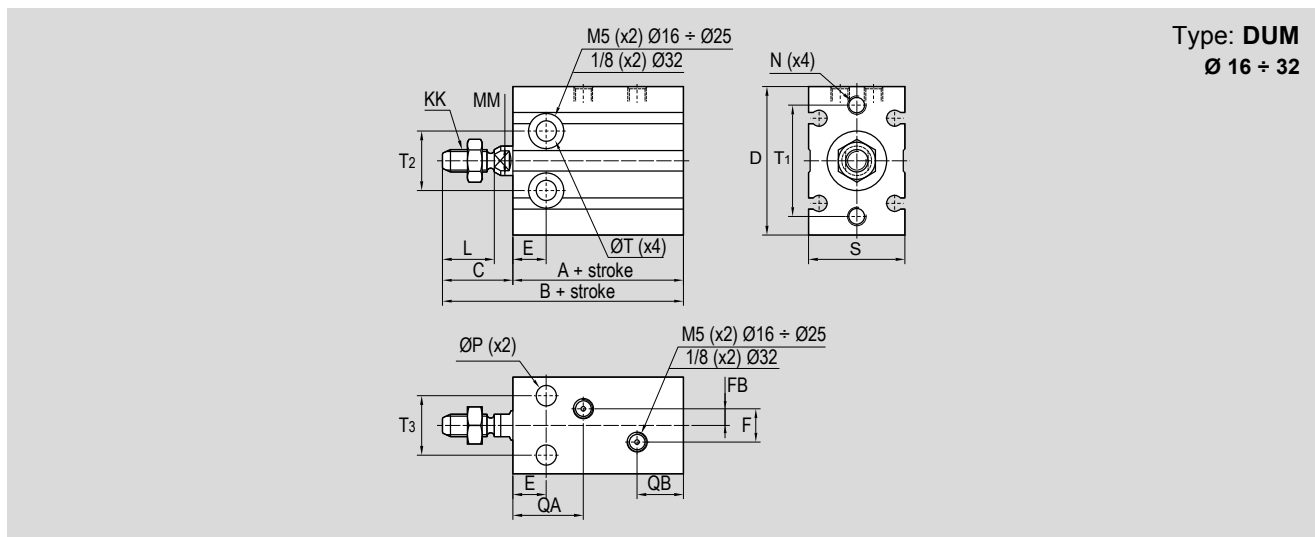
Standard dimensions



Type: **DUM**
Ø 6 ÷ 10

Ø (mm)	A	B	C	D	E	L	KK	ØMM	N	ØP	QA	QB	S	T	T ₁	T ₂	T ₃
6	33	46	13	22	7	7	M3	3	M3	3,2	15	10	13	Ø 6 depth 4.8	17	10	7
10	36	52	16	24	7	10	M4	4	M3	3,2	15	11	18	Ø 6 depth 5	17	10	7

Standard dimensions



Type: **DUM**
Ø 16 ÷ 32

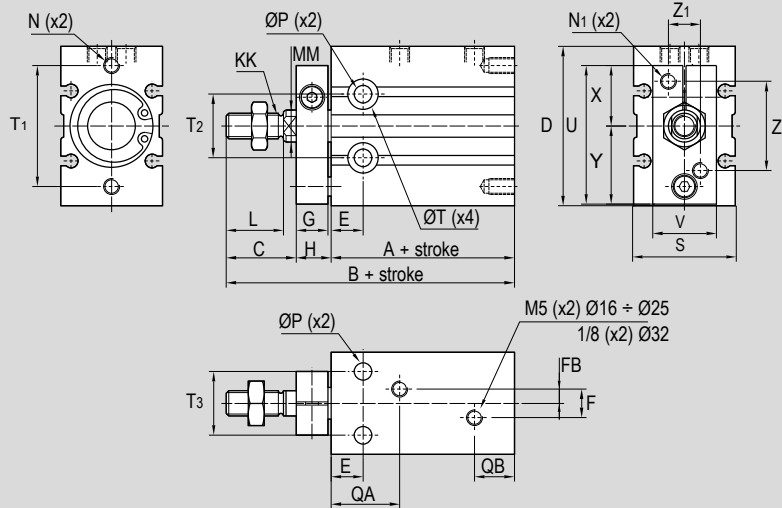
Ø (mm)	A	B	C	D	E	F	FB	L	KK	ØMM	N	ØP	QA	QB	S	T	T ₁	T ₂	T ₃
16	40	56	16	32	7	4	2	12,5	M5	6	M4	4,3	14	11,5	20	Ø 7,6 depth 6,5	25	14	12
20	46	65	19	40	9	9	4,5	14	M6	8	M5	5,2	18	12,5	26	Ø 9 depth 7,6	30	16	16
25	50	73	23	50	10	9	4,5	18	M8	10	M5	5,5	21,5	12,5	32	Ø 9,5 depth 9	38	20	20
32	52	79	27	62	11	13,5	4,5	22	M10	12	M6	6,6	23	13	40	Ø 11 depth 11	48	24	24

Compact Cylinders
Series DU-DUM

Dimensions with options

1 - CYLINDERS

Type: ...N
Ø 16 ÷ 32




Ø (mm)	A		B		C	D	E	F	FB	G	H	L	KK	ØMM	N	N ₁	ØP
	DU	DUM	DU	DUM													
16	30	40	56	66	17	32	7	4	2	8	9	12,5	M5	6	M4	M4	4,3
20	36	46	65	75	20	40	9	9	4,5	8	9	14	M6	8	M5	M4	5,2
25	40	50	73	83	22	50	10	9	4,5	10	11	18	M8	10	M5	M5	5,5
32	42	52	84	94	29	62	11	13,5	4,5	12	13	22	M10	12	M6	M5	6,5


Ø (mm)	T	T ₁	T ₂	T ₃	QA	QB	S	U	V	X	Y	Z ₁	Z ₂
16	Ø 7,6 depth 6,5	25	14	12	14	11,5	20	28	13	12,5	15,5	6	18
20	Ø 9 depth 7,6	30	16	16	18	12,5	26	33	16	13,5	19,5	8	20
25	Ø 9,5 depth 9	38	20	20	21,5	12,5	32	43,5	20	19	24,5	10	28
32	Ø 11 depth 11	48	24	24	23	13	40	51,5	24	21	30,5	12	32

Accessories for compact cylinders


Female clevis with clip FF..DIN

	For cylinder Ø mm	Code	Item	Compliance
	6	-	-	-
10	041001	FF04ISO/DIN		
16	041022	FF05DIN		
20	041002	FF06ISO/DIN		
25	041003	FF08ISO/DIN		
32	041025	FF10DIN		


Female clevis with pin and seeger FFP..DIN

	For cylinder Ø mm	Code	Item	Compliance
	6	-	-	-
10	-	FFP04DIN		
16	-	FFP05DIN		
20	-	FFP06DIN		
25	-	FFP08DIN		
32	041096	FFP10DIN		


Female clevis (body only) FFN..DIN

	For cylinder Ø mm	Code	Item	Compliance
	6	-	-	-
10	041091	FFN04DIN		
16	-	-		
20	041011	FFN06DIN		
25	041018	FFN08DIN		
32	041020	FFN10DIN		


Bearing heads (DIN 648K) with female thread RF..SE

	For cylinder Ø mm	Code	Item	Compliance
	6	-	-	-
10	-	-	-	
16	-	-	-	
20	041552	RF6SE		
25	041553	RF8SE		
32	041565	RF10x1,5SE		


Self-aligning articulated coupling GB..

	For cylinder Ø mm	Code	Item	Compliance
	10	041701	GB008	
16	041700	GB005		
20	041702	GB010		
25	041703	GB020		
32	041704	GB050		


Axial articulated coupling RBI..

	For cylinder Ø mm	Code	Item	Compliance
	16	041601	RBI5	
20	041602	RBI6		
25	041603	RBI8		
32	041611	RBI10x1,5		

Angular articulated coupling RBL..

	For cylinder Ø mm	Code	Item	Compliance
	16	041651	RBL5	
20	041652	RBL6		
25	041653	RBL8		

Magnetic reed switch C groove ASC..

	For cylinder Ø mm	Code	Item	Cylinder matching
	6 ÷ 32	070248	ASC1C525	
070249		ASC7N2M8		
070382		ASC7M2M8		

1 - CYLINDERS