

COMPACT

Guided cylinders



Find out our
key products



Solution for most applications



Easy and intuitive choice



Excellent value for money



Wide availability



Fast delivery



Compact Guided Cylinders

Features and certifications

Series of compact guided cylinders, available in bores from Ø 6 to 100, double acting, magnetic, with self-lubricating bushings or spherical bearings. Supplied as standard in compliance with Reach and RoHS directives. On request, type GEDB and GEDS can be also supplied according to the 2014/34/EU ATEX Directive.

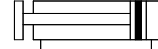


Type GEDB Ø 6 ÷ 100

from page 1.23.20



Compact guided cylinders, available in bores from Ø 6 to 100, double acting, magnetic, with self-lubricating bushings. The extruded body is machined with grooves allowing the mounting of magnetic reed switches directly, not protruding beyond the profile of the cylinder, and elastic dampers on front and end covers. On request these cylinders can be supplied according to the ATEX Directive.

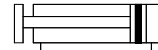


Type GEDS Ø 12 ÷ 100

from page 1.23.20



Compact guided cylinders, available in bores from Ø 12 to 100, double acting, magnetic, with spherical bearings. The extruded body is machined with grooves allowing the mounting of magnetic reed switches directly, not protruding beyond the profile of the cylinder, and elastic dampers on front and end covers. On request these cylinders can be supplied according to the ATEX Directive.

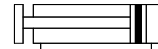


Type GPB Ø 12 ÷ 63

from page 1.23.50



Compact guided cylinders, available in bores from Ø 12 to 63, double acting, magnetic, with self-lubricating bushings. Made of solid aluminium machined allow high torsion and lateral loads. Equipped with grooves for mounting magnetic reed switches directly, not protruding beyond the profile of the cylinder, and elastic dampers on front and end covers.

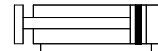


Type GPS Ø 12 ÷ 63

from page 1.23.50



Compact guided cylinders, available in bores from Ø 12 to 63, double acting, magnetic, with spherical bearings. Made of solid aluminium machined allow high torsion and lateral loads. Equipped with grooves for mounting magnetic reed switches directly, not protruding beyond the profile of the cylinder, and elastic dampers on front and end covers.



Compact Guided Cylinders

1 - CYLINDERS

Options			
Description		Symbol	Suffix
FKM seals (only for series GED.. from Ø 10 to 100)	-20°C ÷ +150°C		V
ATEX versions on request (only for series GED..)			/ATEX
Special versions on request			/S

The options, when this is possible, can be combined with each other. For options matching and code key, see the tables below.

Options matching				
Series	Bore	Model	Standard options matching	
			V (Ø10+100)	/ATEX
GEDB	Ø 6 ÷ 100	Standard	●	●
GEDS	Ø 12 ÷ 100	Standard	●	●
GPB-GPS	Ø 12 ÷ 63	Standard	-	-

Key

● allowed matching; - not allowed matching

Code key

Bore	/	Stroke	Type	Options ⁽¹⁾	/	ATEX version ⁽¹⁾	Special version
32	/	50	GEDB	V	/		S

Ø 6*, 10*, 12, 16, 20, 25, 32, 40, 50, 63, 80**, 100**

For strokes see table on page 1.23.20 (GEDB-GEDS) 1.23.50 (GPB-GPS)

GEDB
Single acting
Magnetic
With self-lubricating bushings

GEDS
Double acting
Magnetic
With spherical bearings

GPB
Double acting
Magnetic
With self-lubricating bushings

GPS
Double acting
Magnetic
With spherical bearings

V

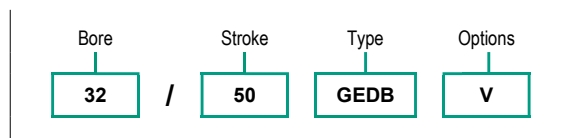
ATEX

II 2G Ex h IIC T5 Gb
II 2D Ex h IIIC T100°C Db

S

*Only GEDB type
**Only GEDB - GEDS type

How to order



Notes

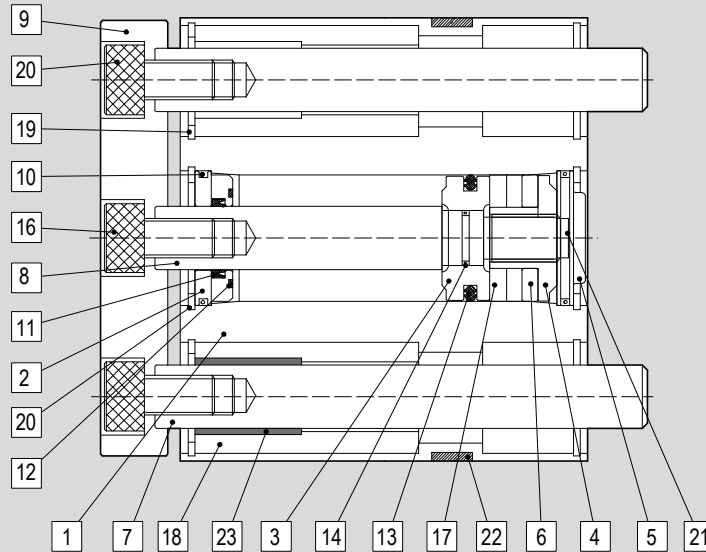
For further information on options and their matching, see tables above.
 For further information on the ATEX 2014/34/EU Directive, on classifications and protections, see from page III.1
 (1) Only for GEDB and GEDS type.

Compact Guided Cylinders

1 - CYLINDERS

Standard materials

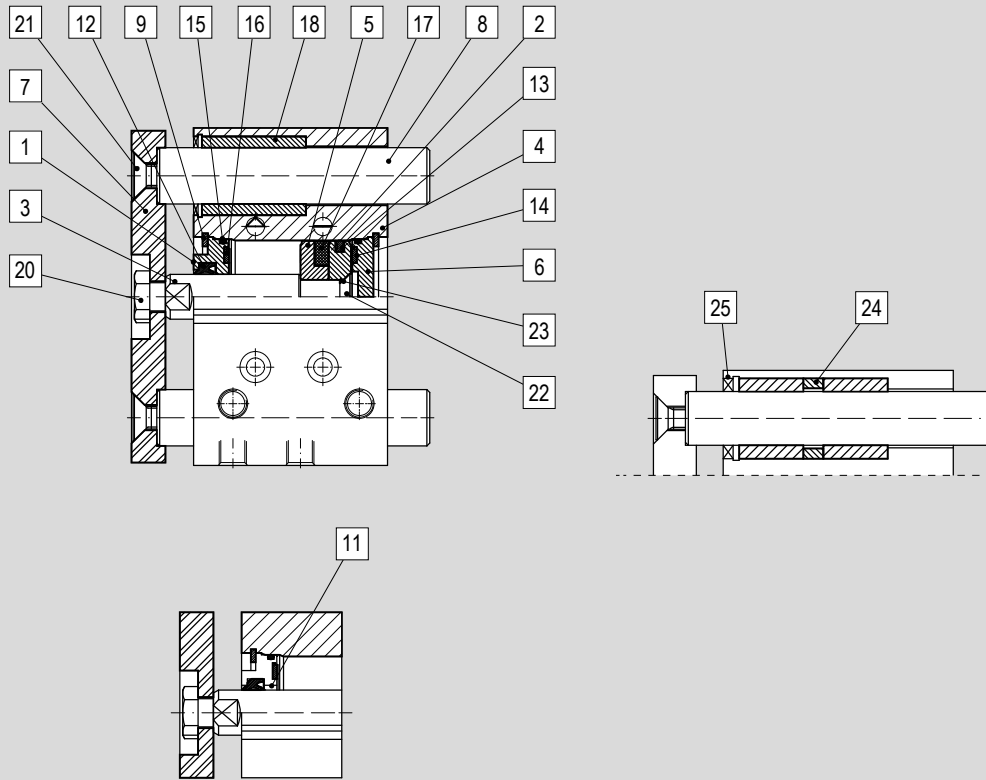
Type: GEDB, GEDS



Position	Description	Materials		
		GEDB		GEDS
		Ø 6 ÷ 10	Ø 12 ÷ 100	Ø 12 ÷ 100
1	Body	Anodised aluminium		Anodised aluminium
2	Head cover	Iron	Anodised aluminium	Anodised aluminium
3	Piston	Copper		Copper
4	Ring	Copper		Copper
5	End cover	Anodised aluminium		Anodised aluminium
6	Ring	PTFE		PTFE
7	Rod	Carbon steel		Carbon steel
8	Rod	Carbon steel		Carbon steel
9	Plate	Anodised aluminium		Anodised aluminium
10	Head cover o-ring	NBR		NBR
11	Rod seal	NBR		NBR
12	Cushioning o-ring	NBR		NBR
13	Piston seal	NBR		NBR
14	Piston o-ring	NBR		NBR
15	Snap ring	Armonic steel		Armonic steel
16	Mounting rod nut	Steel		Steel
17	Magnet	Polymer		Polymer
18	Bush support	Copper		Copper
19	Snap ring holder	Steel		Steel
20	Plate screw	Steel		Steel
21	Rubber lining	NBR		NBR
22	Magnet	Polymer		Polymer
23	Bush	PTFE		PTFE
24	Linear bearing	-		Steel
25	Rod	Steel		Steel

Standard materials

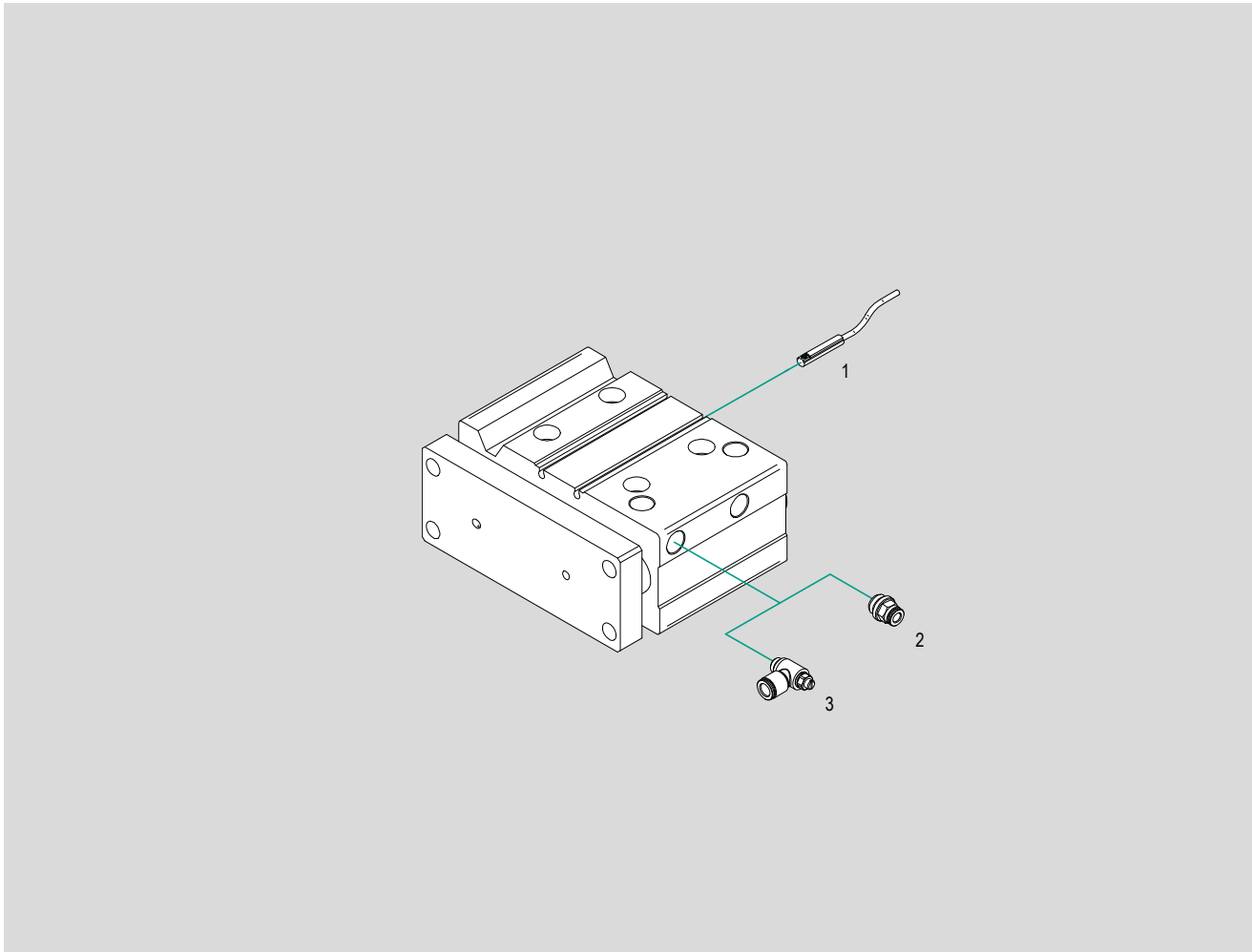
Type: **GPB, GPS**



1 - CYLINDERS

Position	Description	Materials							
		Ø 12	Ø 16	Ø 20	Ø 25	Ø 32	Ø 40	Ø 50	Ø 63
1	Head cover	Brass	Hard anodised aluminium						
2	Piston	Hard anodised aluminium							
3	Rod	Stainless Steel	Carbon steel						
4	Body	Hard anodised aluminium							
5	Magnet holder	Hard anodised aluminium							
6	End cover	Hard anodised aluminium							
7	Guide plate	Nickel-plated carbon steel							
8	Rod guide	GPB	Carbon steel						
		GPS	Special steel						
9	Retaining ring	Nickel-plated carbon steel							
10	Retaining ring	Nickel-plated carbon steel							
11	Oilless bearing	Oil-impregnated sintered alloy							
12	Rod packing	NBR							
13	Piston seal	NBR							
14	Rubber lining	NBR							
15	Cylinder gasket	NBR							
16	Rubber lining	NBR							
17	Magnet	Magnetic material							
18	Oilless bearing	Oil-impregnated sintered alloy							
19	Linear bearing	Special steel							
20	Hexagon socket head screw	Nickel-plated carbon steel							
21	Screw	Nickel-plated carbon steel							
22	Screw	Nickel-plated carbon steel							
23	O-ring	NBR							
24	Stroke pad	Hard anodised aluminium							
25	Dust cover	Aluminium	Carbon steel - NBR						

Accessories



N.	Cylinder bore	Item	Description	Compliance	Matching		Code page	Data sheet page
					GEDB - GEDS	GPB - GPS		
1	Ø 6 ÷ 100	ASC..	Magnetic reed switch C groove	-	●	●	1.23.90	1.110.30
2	Ø 6 ÷ 100	R..	Push-in fittings		●	●	4.2.1	
3	Ø 6 ÷ 100	V..C	Flow controls, for cylinders		●	●	4.94.1	

Key

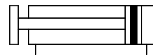
● matching accessory; - not matching accessory

Compact Guided Cylinders
Series GEDB - GEDS

Main features

6 ÷ 100

Bores Ø



Double acting
Magnetic
With self-lubricating
bushings

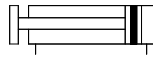
GEDB

Type



12 ÷ 100

Bores Ø



Double acting
Magnetic
With spherical
bearings

GEDS

Type



Technical data

Bore Ø mm	6	10	12	16	20	25	32	40	50	63	80	100	
Fluid	Filtered compressed air with or without lubrication. Lubrication, if started, must be continued.												
Pressure range	1,5 ÷ 7 bar							1 ÷ 7 bar					
Maximum pressure	9 bar												
Temperature range	0°C ÷ +60°C (standard)						-20°C ÷ +150°C (V)						
Speed	50 ÷ 500 mm/s								50 ÷ 350 mm/s				
Port	M3			M5				1/8"		1/4"		3/8"	
Strokes*	GEDB	5 ÷ 15 mm	5 ÷ 20 mm	10 ÷ 100 mm	25 ÷ 200 mm			30 ÷ 250 mm		30 ÷ 150 mm			
	GEDS	-		10 ÷ 100 mm	25 ÷ 200 mm			30 ÷ 250 mm		30 ÷ 150 mm			

*In case of intermediate strokes from the standard strokes (see table below), the cylinder body will have the overall dimensions of the cylinder with the next standard stroke, as desired stroke is obtained by applying a spacer.

Standard strokes

Stroke mm	GEDB Bore Ø mm											
	6	10	12	16	20	25	32	40	50	63	80	100
5												
10												
15												
20												
25												
30												
40												
50												
75												
100												
125												
150												
175												
200												
250												

Stroke mm	GEDS Bore Ø mm									
	12	16	20	25	32	40	50	63	80	100
5										
10										
15										
20										
25										
30										
40										
50										
75										
100										
125										
150										
175										
200										
250										

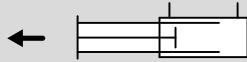
Key
 Standard stroke

Compact Guided Cylinders
Series GEDB - GEDS

1 - CYLINDERS

Theoretical thrust force

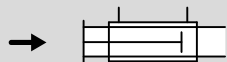
Unit: N



Ø Cylinder (mm)	Ø Rod (mm)	Cylinder Area (cm ²)	Pressure range (bar)						
			1	2	3	4	5	6	7
6	3	0,28	-	5	8	11	14	17	20
10	5	0,79	-	15	23	31	39	47	55
12	6	1,13	-	23	34	45	57	68	79
16	8	2,01	-	40	60	80	101	121	140
20	10	3,14	-	60	90	120	150	180	210
25	12	4,90	-	90	140	190	240	290	340
32	16	8,04	-	160	240	320	400	480	550
40	16	12,56	120	250	370	500	620	750	870
50	20	19,63	190	390	580	780	980	1170	1370
63	20	31,17	310	620	930	1240	1550	1870	2180
80	25	50,20	502	1005	1507	2010	2512	3014	3517
100	25	78,50	785	1570	2355	3140	3925	4710	5495

Theoretical traction force

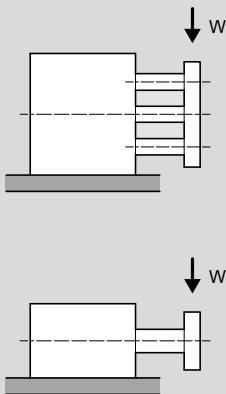
Unit: N



Ø Cylinder (mm)	Ø Rod (mm)	Cylinder Area (cm ²)	Pressure range (bar)						
			1	2	3	4	5	6	7
6	3	0,21	-	4	6	8	10	13	15
10	5	0,59	-	11	17	23	29	35	41
12	6	0,85	-	17	25	34	42	51	59
16	8	1,51	-	30	45	60	76	91	106
20	10	2,35	-	47	71	94	118	141	165
25	12	3,77	-	75	113	151	189	226	263
32	16	6,03	-	121	181	242	302	362	422
40	16	10,55	100	210	310	420	520	630	730
50	20	16,49	160	320	490	650	820	980	1150
63	20	28,03	280	560	840	1120	1400	1680	1960
80	25	45,30	453	907	1360	1813	2267	2720	3173
100	25	73,60	736	1472	2208	2944	3680	4416	5152

Admissible transverse load

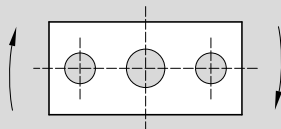
Unit: N



Series	Ø (mm)	Stroke (mm)											
		5	10	15	20	25	30	40	50	75	100	125	150
GEDB	6	0,72	0,61	0,51	-	-	-	-	-	-	-	-	-
GEDS		-	-	-	-	-	-	-	-	-	-	-	-
GEDB	10	2,45	2,05	1,70	1,50	-	-	-	-	-	-	-	-
GEDS		-	-	-	-	-	-	-	-	-	-	-	-
GEDB	12	-	21,0	-	18,0	-	15,0	13,0	12,0	9,0	8,0	-	-
GEDS		-	-	27,0	-	22,0	-	17,0	21,0	19,0	15,0	13,0	-
GEDB	16	-	-	-	-	26,0	-	-	19,0	15,0	13,0	27,0	24,0
GEDS		-	-	-	-	28,0	-	-	33,0	28,0	23,0	20,0	17,0
GEDB	20	-	-	-	-	48,0	-	-	34,0	57,0	49,0	42,0	37,0
GEDS		-	-	-	-	49,0	-	-	65,0	53,0	44,0	30,0	26,0
GEDB	25	-	-	-	-	70,0	-	-	47,0	77,0	65,0	56,0	49,0
GEDS		-	-	-	-	71,0	-	-	72,0	59,0	51,0	42,0	36,0
GEDB	32	-	-	-	-	-	200	-	180	179	156	138	124
GEDS		-	-	-	-	-	-	160	-	120	190	159	123
GEDB	40	-	-	-	-	-	200	-	180	179	156	138	124
GEDS		-	-	-	-	-	-	160	-	120	190	159	123
GEDB	50	-	-	-	-	-	330	-	286	292	257	230	208
GEDS		-	-	-	-	-	-	170	-	129	215	181	139
GEDB	63	-	-	-	-	-	330	-	286	292	257	230	208
GEDS		-	-	-	-	-	-	170	-	129	215	181	139
GEDB	80	-	-	-	-	370	-	-	304	345	309	280	256
GEDS		-	-	-	-	235	-	-	157	263	226	199	178
GEDB	100	-	-	-	-	539	-	-	470	412	343	278	252
GEDS		-	-	-	-	470	-	-	313	400	332	261	206

Maximum admissible torque

Unit: N·m

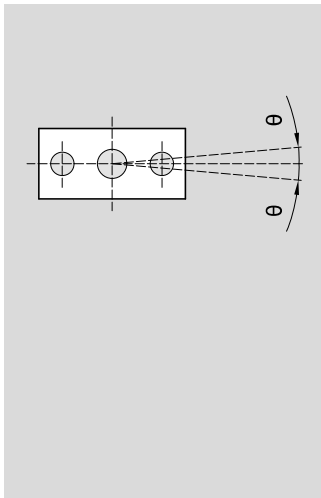


Series	Ø (mm)	Stroke (mm)											
		5	10	15	20	25	30	40	50	75	100	125	150
GEDB	6	0,09	0,073	0,061	-	-	-	-	-	-	-	-	-
GEDS		-	-	-	-	-	-	-	-	-	-	-	-
GEDB	10	0,47	0,39	0,33	0,28	-	-	-	-	-	-	-	-
GEDS		-	-	-	-	-	-	-	-	-	-	-	-
GEDB	12	-	0,40	-	0,30	-	0,28	0,25	0,22	0,45	0,37	-	-
GEDS		-	-	0,54	-	0,42	-	0,35	0,30	0,27	0,50	0,42	-
GEDB	16	-	-	-	-	0,50	-	-	0,36	0,65	0,55	0,40	0,35
GEDS		-	-	-	-	0,70	-	-	0,44	0,82	0,70	0,62	0,58
GEDB	20	-	-	-	-	1,02	-	-	0,78	1,95	1,69	1,49	1,28
GEDS		-	-	-	-	1,28	-	-	0,95	2,23	1,91	1,68	1,47
GEDB	25	-	-	-	-	1,70	-	-	1,31	2,96	2,57	2,26	2,02
GEDS		-	-	-	-	1,35	-	-	1,03	2,42	2,07	1,82	1,60
GEDB	32	-	-	-	-	-	20,0	-	18,0	17,9	15,6	13,8	12,4
GEDS		-	-	-	-	-	-	16,0	-	12,0	19,0	15,9	12,3
GEDB	40	-	-	-	-	-	7,10	-	6,42	5,80	6,30	5,50	4,90
GEDS		-	-	-	-	-	-	3,87	-	3,50	3,10	6,70	5,80
GEDB	50	-	-	-	-	-	13,6	-	11,4	11,9	10,5	9,40	8,50
GEDS		-	-	-	-	-	-	5,80	-	4,80	9,30	8,20	7,30
GEDB	63	-	-	-	-	-	15,0	-	12,5	13,1	11,6	10,4	9,40
GEDS		-	-	-	-	-	-	6,40	-	5,30	10,3	9,10	8,10
GEDB	80	-	-	-	-	21,0	-	-	18,0	23,0	21,0	19,0	18,0
GEDS		-	-	-	-	15,0	-	-	23,0	22,0	20,0	18,0	16,0
GEDB	100	-	-	-	-	38,0	-	-	33,0	38,0	33,0	30,0	28,0
GEDS		-	-	-	-	27,0	-	-	30,0	37,0	34,0	31,0	29,0

Compact Guided Cylinders
Series GEDB - GEDS

1 - CYLINDERS

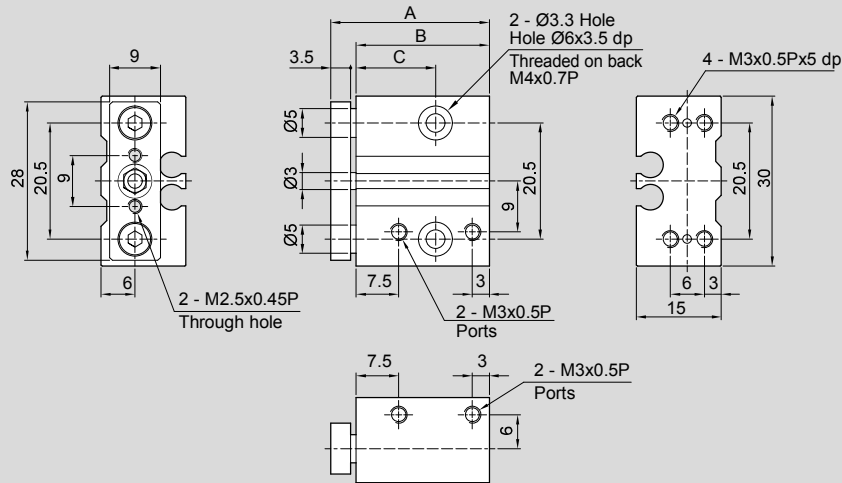
Non-rotating accuracy



Series	∅ (mm)	Non-rotating accuracy υ
GEDB	6 ÷ 10	±0.2
GEDB	12 ÷ 16	±0.18
GEDS		
GEDB	20 ÷ 25	±0.17
GEDS		
GEDB	32 ÷ 40	±0.16
GEDS		
GEDB	50 ÷ 63	±0.15
GEDS		
GEDB	80 ÷ 100	±0.1
GEDS		

Dimensions

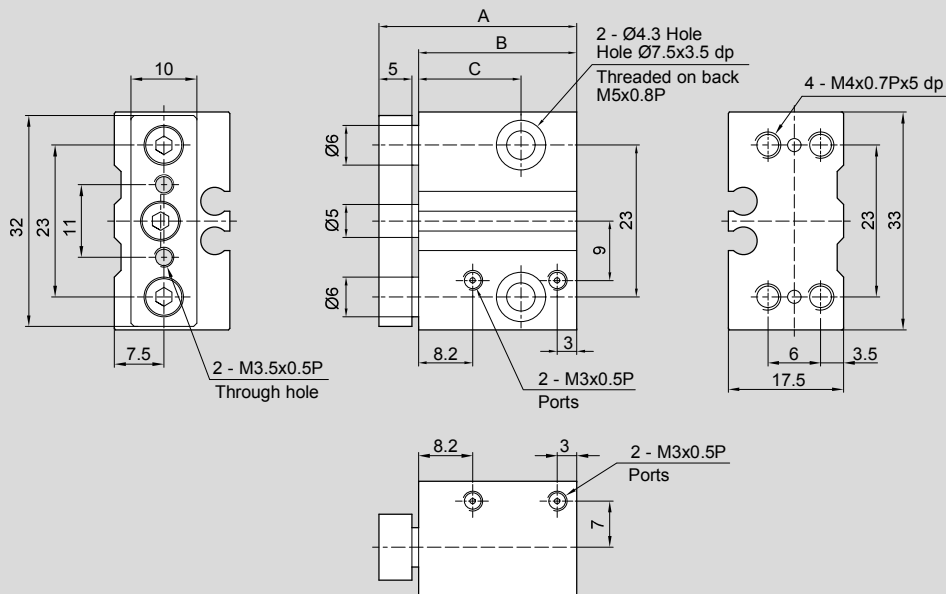
Type: **GEDB**
Ø 6



stroke (mm)	5	10	15
A	28	33	38
B	23,5	28,5	33,5
C	14	19	24

Dimensions

Type: **GEDB**
Ø 10

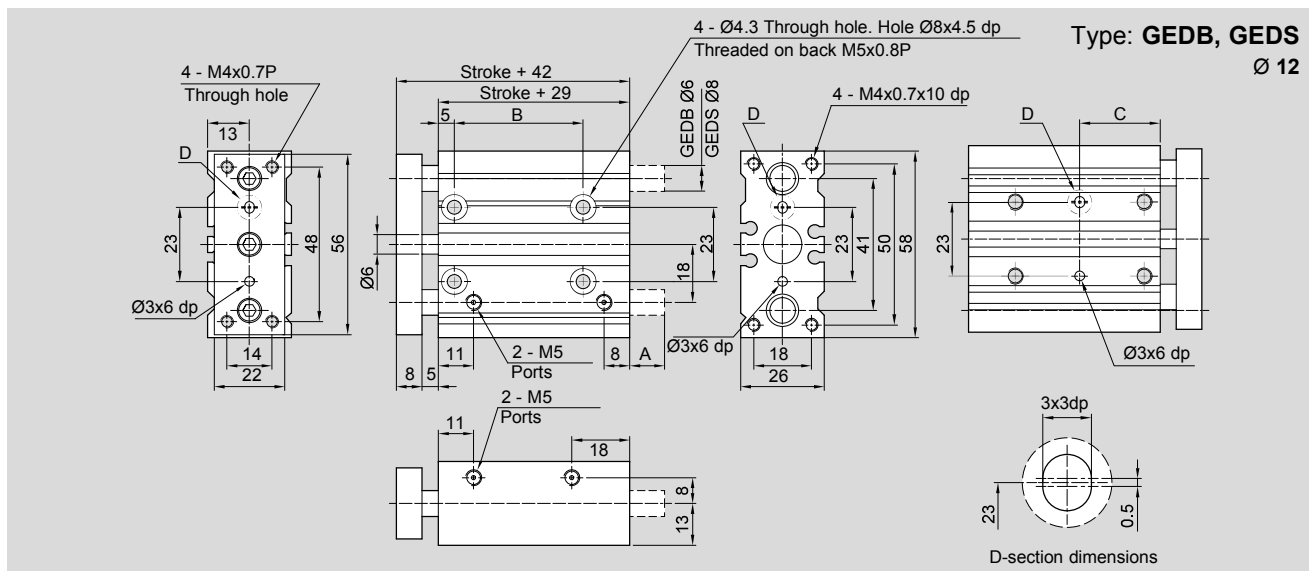


stroke (mm)	5	10	15	20
A	30	35	40	45
B	24	29	34	39
C	15,5	20,5	25,5	30,5

Compact Guided Cylinders
Series GEDB - GEDS

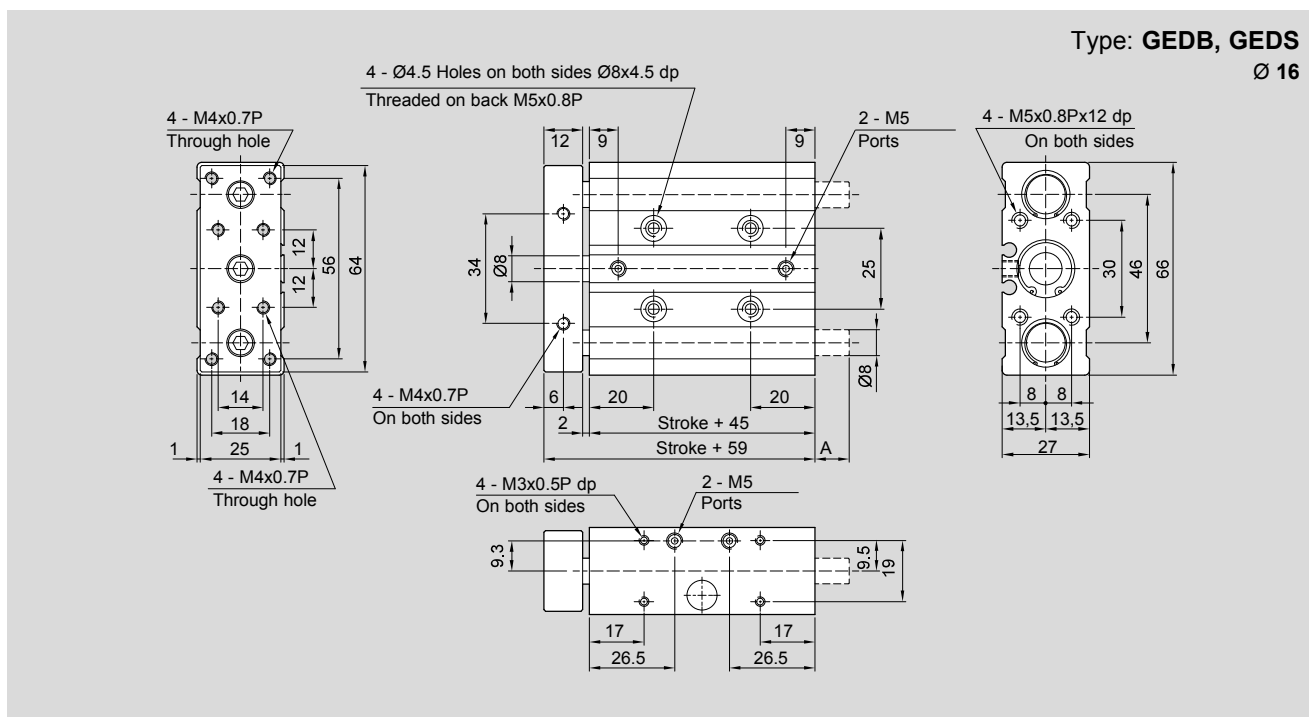
1 - CYLINDERS

Dimensions



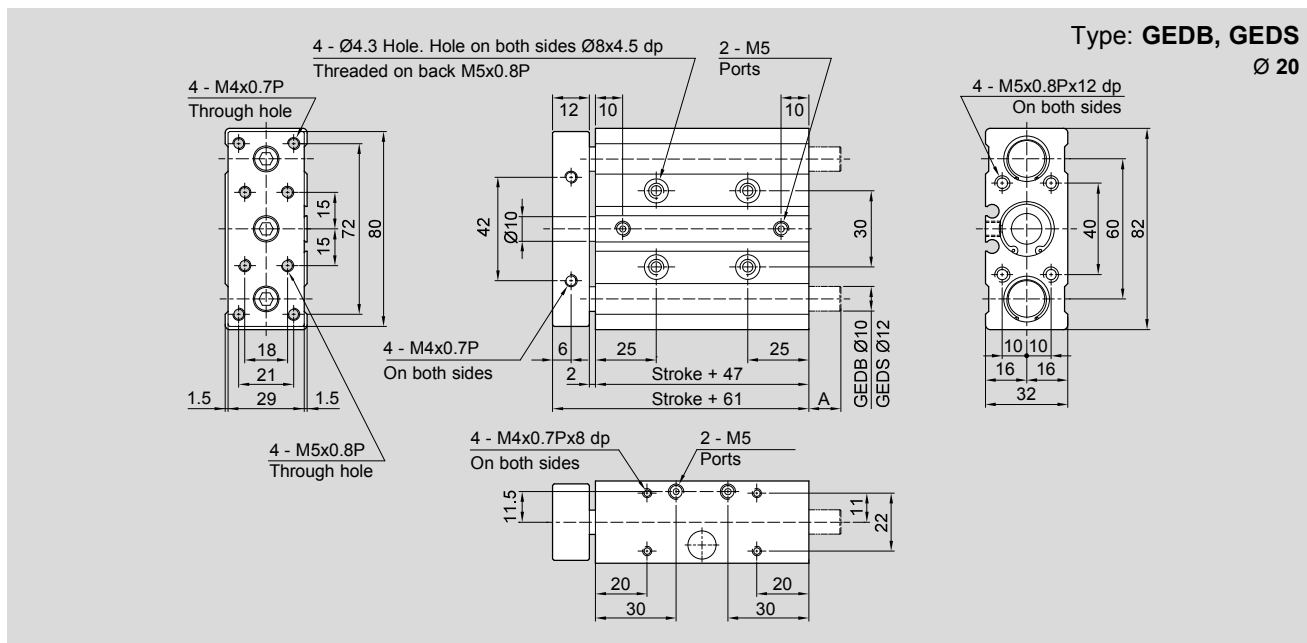
stroke (mm)	10	20	30	40	50	75	100
A	0	0	0	0	0	18,5	18,5
B	20	20	20	40	40	40	40
C	15	15	15	25	25	25	25

Dimensions



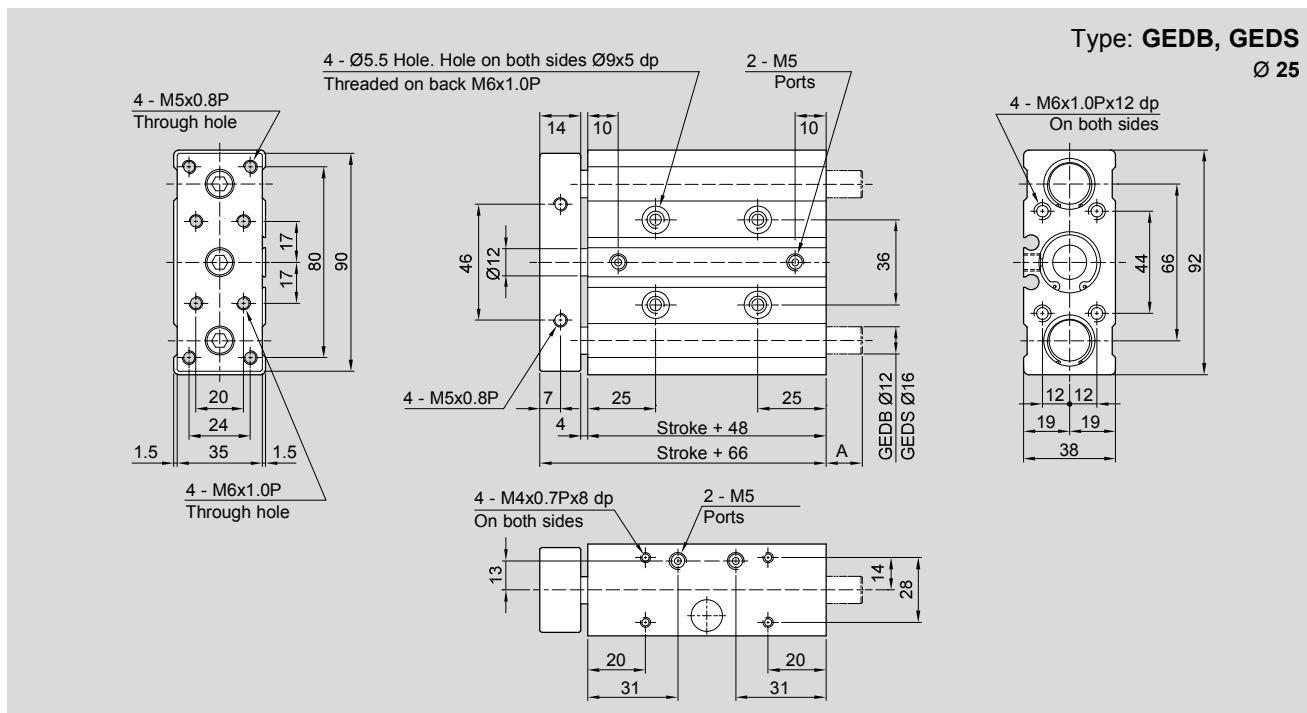
stroke (mm)	25	50	75	100	125	150	175	200
A	0	0	11,5	11,5	11,5	11,5	11,5	11,5

Dimensions



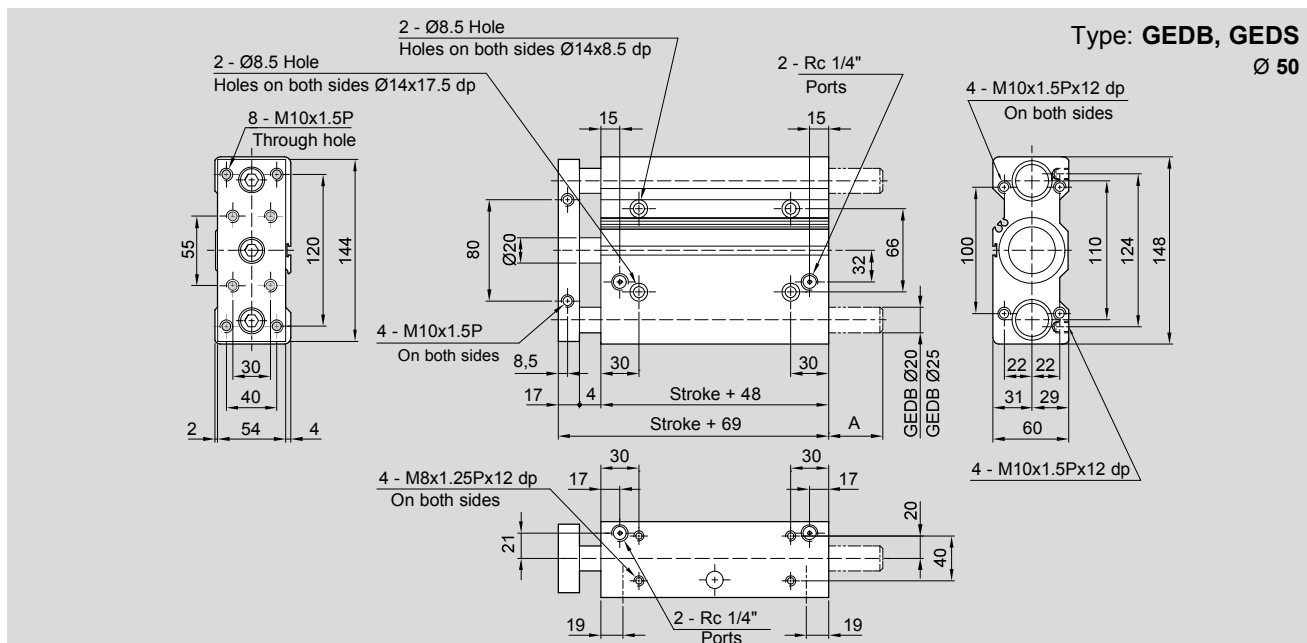
stroke (mm)	25	50	75	100	125	150	175	200
A	0	0	14,9	14,9	14,9	14,9	14,9	14,9

Dimensions



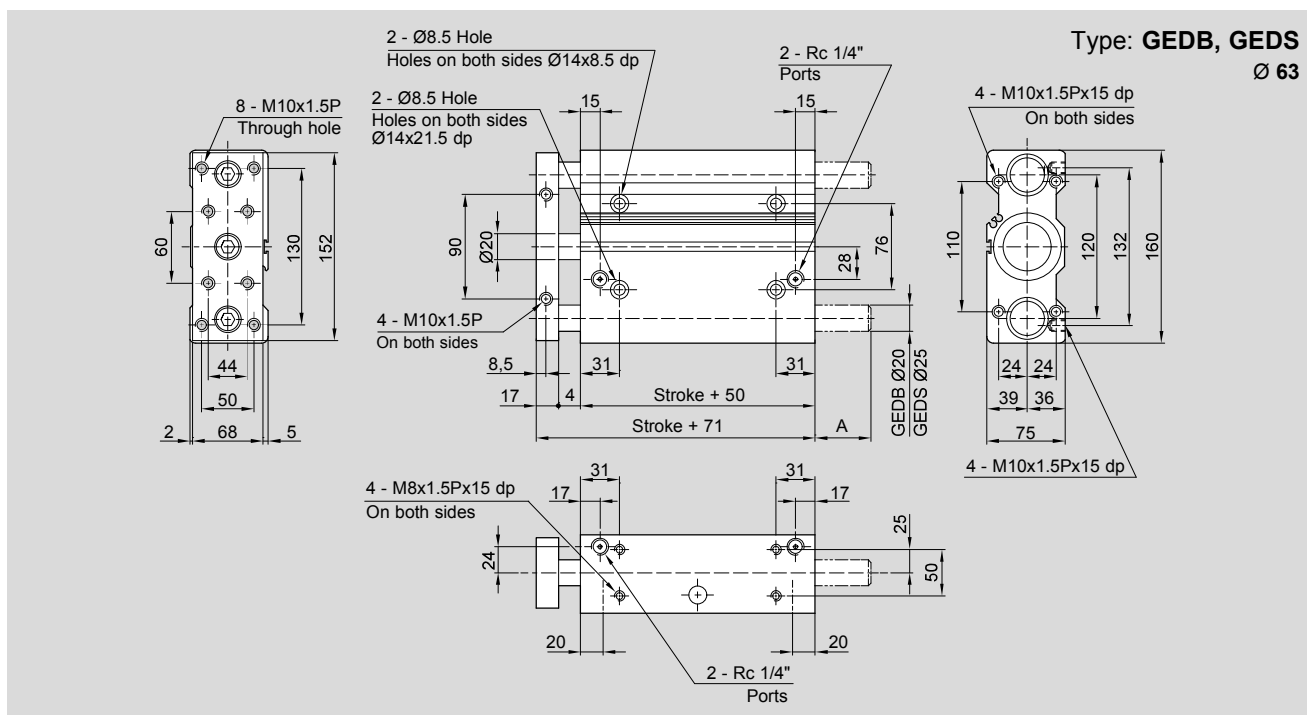
stroke (mm)	25	50	75	100	125	150	175	200
A	0	0	11	11	11	11	11	11

Dimensions



stroke (mm)	30	50	75	100	125	150
A	0	0	0	49	49	49

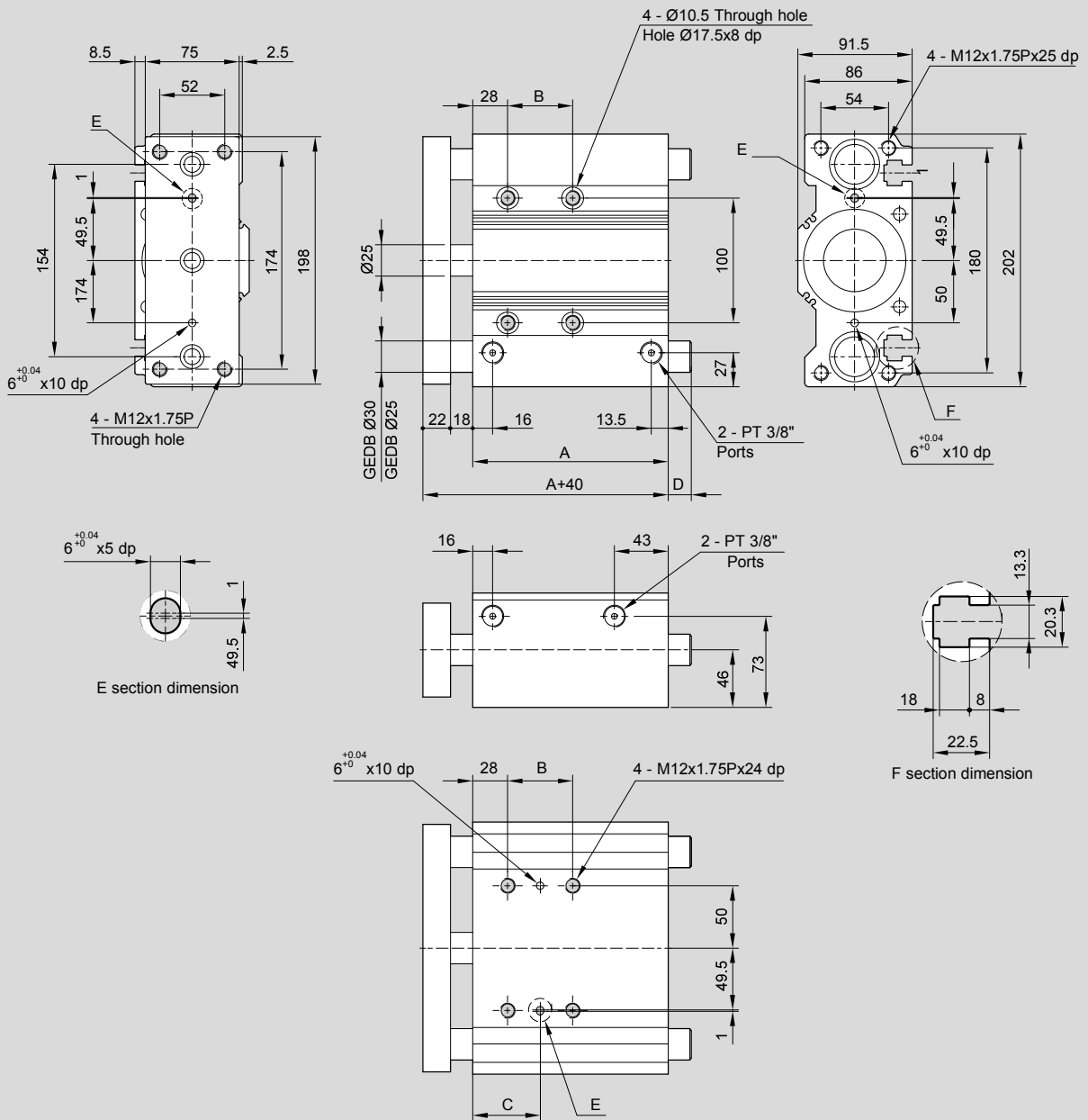
Dimensions



stroke (mm)	30	50	75	100	125	150
A	0	0	0	47	47	47

Dimensions

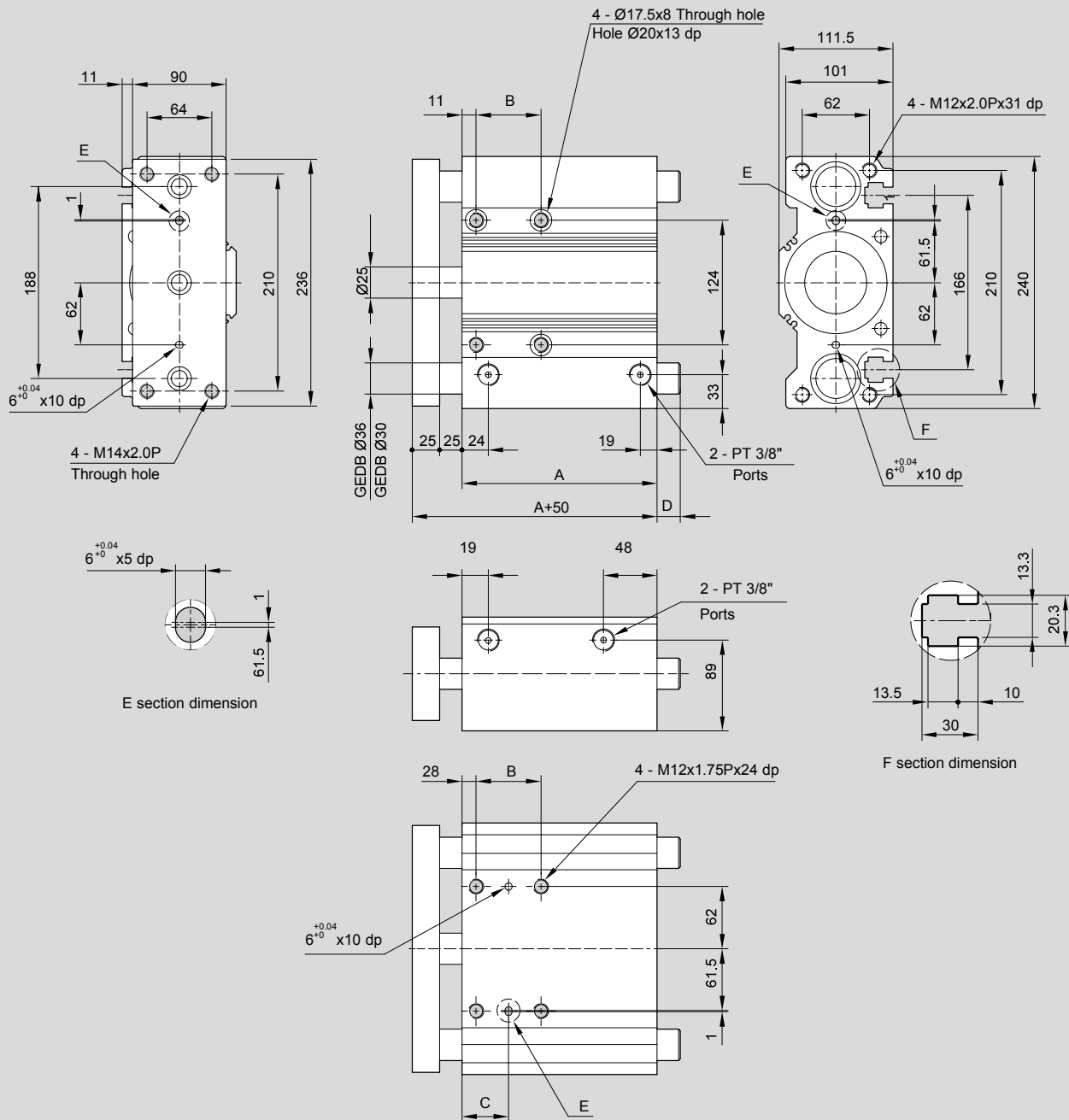
Type: **GEDB, GEDS**
Ø 80



stroke (mm)	30	50	75	100	125	150
A	81,5	106,5	131,5	156,5	181,5	206,5
B	28	52	52	52	128	128
C	42	54	54	54	92	92
D	10	10	63	63	63	63

Dimensions

Type: **GEDB, GEDS**
Ø 100



1 - CYLINDERS

stroke (mm)	30	50	75	100	125	150
A	91	116	141	166	191	216
B	48	72	72	72	148	148
C	35	47	47	47	85	85
D	5	5	64	64	64	64

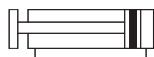
Compact Guided Cylinders
Series GPB - GPS

1 - CYLINDERS

Main features

12 ÷ 63

Bores Ø



Double acting
Magnetic
With self-lubricating
bushings

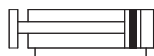
GPB

Type



12 ÷ 63

Bores Ø



Double acting
Magnetic
With spherical
bearings

GPS

Type



Technical data

Bore Ø mm	12	16	20	25	32	40	50	63
Fluid	Filtered compressed air with or without lubrication. Lubrication, if started, must be continued.							
Pressure range	2 ÷ 7 bar							
Temperature range	-10°C ÷ +60°C							
Speed	50 ÷ 500 mm/s						50 ÷ 350 mm/s	
Port	M5		1/8"			1/4"		
Strokes*	10 ÷ 100 mm		20 ÷ 175 mm		25 ÷ 150 mm			

*In case of intermediate strokes from the standard strokes (see table below), the cylinder body will have the overall dimensions of the cylinder with the next standard stroke, as desired stroke is obtained by applying a spacer.

Standard strokes

Stroke mm	GPB Bore Ø mm							
	12	16	20	25	32	40	50	63
10								
20								
25								
30								
40								
50								
75								
100								
125								
150								
175								

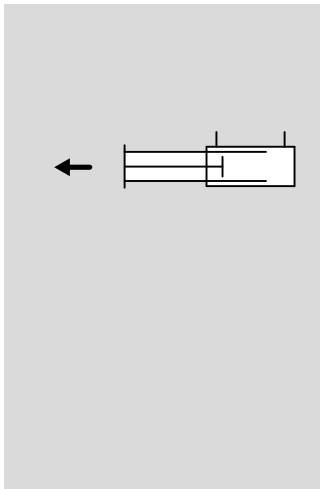
Stroke mm	GPS Bore Ø mm							
	12	16	20	25	32	40	50	63
10								
20								
25								
30								
40								
50								
75								
100								
125								
150								
175								

Key
 Standard stroke

1.23.50

Theoretical thrust force

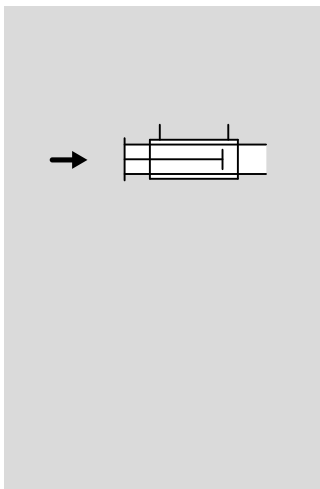
Unit: N



Ø Cylinder (mm)	Ø Rod (mm)	Cylinder Area (cm ²)	Pressure range (bar)					
			2	3	4	5	6	7
12	6	1,13	23	34	45	57	68	79
16	8	2,01	40	60	80	101	121	141
20	10	3,14	63	94	126	157	188	220
25	12	4,91	98	147	196	245	295	344
32	16	8,04	161	241	322	402	483	563
40	16	12,57	251	377	503	628	754	880
50	20	19,63	393	589	785	982	1178	1374
63	20	31,17	623	935	1247	1559	1870	2182

Theoretical traction force

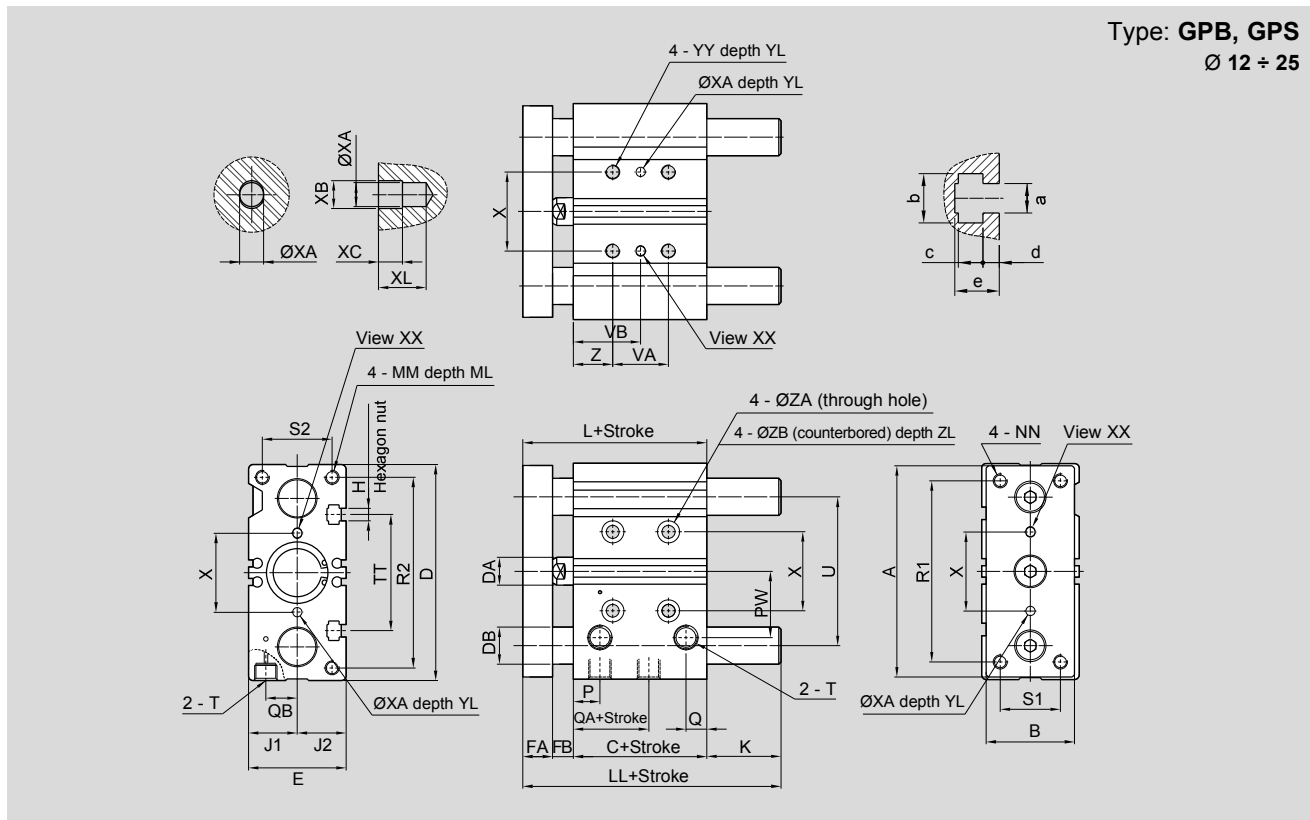
Unit: N



Ø Cylinder (mm)	Ø Rod (mm)	Cylinder Area (cm ²)	Pressure range (bar)					
			2	3	4	5	6	7
12	6	1,13	17	25	34	42	51	59
16	8	2,01	30	45	60	75	90	106
20	10	3,14	47	71	94	118	141	165
25	12	4,91	76	113	151	189	227	264
32	16	8,04	121	181	241	302	362	422
40	16	12,57	211	317	422	528	633	739
50	20	19,63	330	495	660	825	990	1155
63	20	31,17	561	841	1121	1402	1682	1962

Dimensions

Type: **GPB, GPS**
Ø 12 ÷ 25

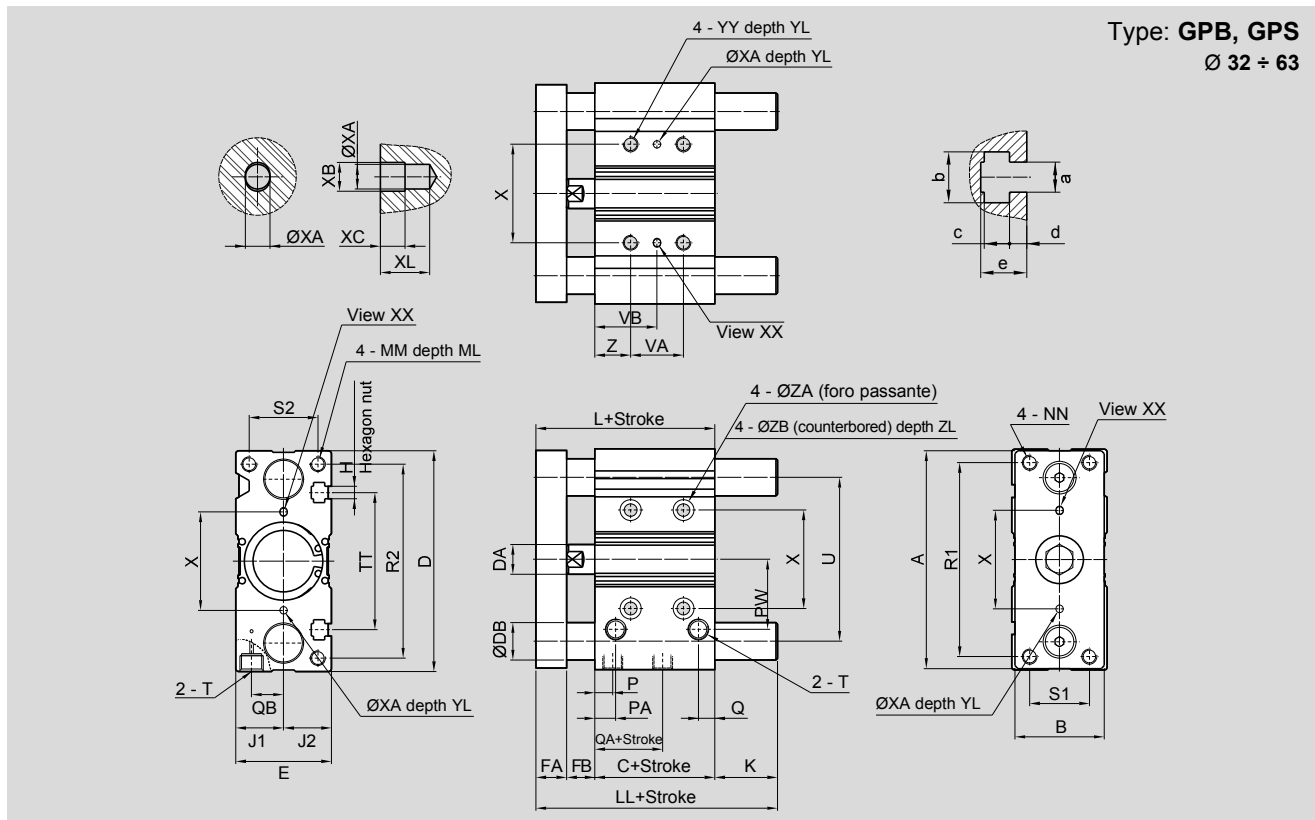


Ø (mm)	A	B	C	D	DA	DB		E	FA	FB	H	J ₁	J ₂	L	MM	ML	NN	T	P	Q	a	b	c	d	e
	GPB		GPS																						
12	56	22	29	58	6	8	6	26	8	5	M4	13	13	42	M4	10	M4	M5	11	7.5	4.4	7.4	3.7	2	6.2
16	62	25	33	64	8	10	8	30	8	5	M4	15	15	46	M5	12	M5	M5	11	8	4.4	7.4	3.7	2.5	6.7
20	81	30	37	83	10	12	10	36	10	6	M5	18	18	53	M5	13	M5	1/8"	11.5	9	5.4	8.4	4.5	2.3	7.3
25	91	38	37.5	93	12	16	12	42	10	6	M5	21	21	53.5	M6	15	M6	1/8"	11.5	9	5.4	8.4	4.5	3	8.2

Ø (mm)	QA	QB	PW	TT	U	VA			VB			S ₁	S ₂	R ₁	R ₂	X ±0.02	XA H ₁	XB	XC
	stroke 10÷30	stroke 40÷100	stroke 125÷175	stroke 10÷30	stroke 40÷100	stroke 125÷175													
12	12	7.5	18	37	41	20	40	-	15	25	-	14	18	48	50	23	3	3.5	3
16	14	10	19	38	46	24	44	-	17	27	-	16	22	54	56	24	3	3.5	3
20	12.5	11.5	25	44	54	24	44	120	29	39	77	18	24	70	72	28	3	3.5	3
25	12.5	13.5	28.5	50	64	24	44	120	29	39	77	26	30	78	82	34	4	4.5	3

Ø (mm)	XL	YY	YL	Z	ZA	ZB	ZL	K					LL							
								GPB		GPS			GPB		GPS					
								stroke 10÷50	stroke 75÷100	stroke 10÷30	stroke 40÷100	stroke 125÷175	stroke 10÷50	stroke 75÷100	stroke 10÷30	stroke 40÷100	stroke 125÷175			
12	6	M5	10	5	4.3	8	4.5	0	15	0	15	-	42	57	42	57	-			
16	6	M5	10	5	4.3	8	4.5	0	22	0	22	-	46	68	46	68	-			
20	6	M6	12	17	5.6	9.5	5	0	28	0	28	52	53	81	53	81	105			
25	6	M6	12	17	5.6	9.5	5.5	0	29	0	31	50	53.5	82.5	53.5	84.5	103.5			

Dimensions





Ø (mm)	A	B	C	D	DA	DB		E	FA	FB	H	J ₁	J ₂	L	MM	ML	NN	T	P	Q	a	b	c	d	e	
	GPB		GPS																							
32	110	44	37.5	112	16	20	16	48	12	10	M6	24	24	59.5	M8	20	M8	1/8"	11.5	10	6.5	10.5	5.35	3.5	9.5	
40	118	44	44	120	16	20	16	54	12	10	M6	27	27	66	M8	20	M8	1/8"	14	11	6.5	10.5	5.35	4	11	
50	146	60	44	148	20	25	20	64	16	12	M8	32	32	72	M10	22	M10	1/4"	12	11	8.5	13.5	7.5	4.5	13.5	
63	158	70	49	162	20	25	20	78	16	12	M10	39	39	77	M10	22	M10	1/4"	16.5	13	11	17.8	10	7	18.5	

Ø (mm)	QA	QB	PA	PW	TT	U	VA			VB			S ₁	S ₂	R ₁	R ₂	X ±0.02	X _A H ₁	XB
	stroke 25+40		stroke 50+100		stroke 125+175		stroke 25+40		stroke 50+100		stroke 125+175								
32	5	16.5	11.5	34	63	78	24	48	124	33	45	83	30	34	96	98	42	4	4.5
40	11	18	14	38	72	86	24	48	124	34	46	84	30	40	104	106	50	4	4.5
50	9	21.5	14	47	92	110	24	48	124	36	48	86	40	46	130	130	66	5	6
63	14	28	16.5	55	110	124	28	52	128	38	50	88	50	58	130	142	80	5	6

Ø (mm)	XC	XL	YY	YL	Z	ZA	ZB	ZL	K					LL					
	GPB		GPS							GPB		GPS			GPB		GPS		
	stroke 25+50	stroke 75+175	stroke 25+50	stroke 75+100	stroke 125+175	stroke 25+50	stroke 75+100	stroke 125+175	stroke 25+50	stroke 75+175	stroke 25+50	stroke 75+175	stroke 25+50	stroke 75+100	stroke 125+175				
32	3	6	M8	16	21	6.5	11	7.5	8	45	8	45	65	67.5	104.5	67.5	104.5	124.5	
40	3	6	M8	16	22	6.5	11	7.5	1.5	38.5	1.5	38.5	58.5	67.5	104.5	67.5	104.5	124.5	
50	4	8	M10	20	24	8.5	14	9	6.5	48.5	6.5	48.5	68.5	78.5	120.5	78.5	120.5	140.5	
63	4	8	M10	20	24	8.5	14	9	1.5	43.5	1.5	43.5	63.5	78.5	120.5	78.5	120.5	140.5	

Accessories for compact guided cylinders

Magnetic reed switch C groove ASC..

	For cylinder Ø mm	Code	Item	Cylinder matching
	6 ÷ 100	070248 	ASC1C525	GEDB
		070249	ASC7N2M8	GEDS
		070382	ASC7M2M8	GPB GPS