

| Standard executions | | |
|---|--------|------|
| Version | Symbol | Type |
| Non magnetic from bore 10 to 25 mm. | | MD |
| Magnetic from bore 8 to 25 mm. | | MDM |
| Magnetic with cushionings from bore 16 to 25 mm. | | MDMA |



II 2Gc IIC T5
II 2Dc T100°C

On request, they can be supplied according to 2014/34/EU - ATEX

| Options | | Suffix |
|--|------------------------|--------|
| Through rod | from bore 16 to 25 mm. | P |
| Seals FKM | -20°C ÷ +150°C | V |
| Extended rod in hardened and chrome plated steel* suitable for static piston rod brake | from bore 12 to 25 mm. | B |
| Antirotation exagonal rod | from bore 16 to 25 mm. | Q |
| Special versions on request | | / S |

The options can be combined (when this is possible)

* In Stainless Steel AISI 304 for ATEX versions

Series of cylinders conforming to ISO 6432 standards
 The heads are connected with the body through rolling; this guarantees perfect tightening.
 The cushionings are in nitrile rubber to relieve the impact of the piston; the MDMA type is provided with adjustable air cushioning at both ends.
 The standard cylinders are provided with head and rod nut.
 One or more magnetic reed switches can be applied to the magnetic type.
 For the magnetic reed switches type ASV see from page 1.110.1
 For mounting accessories see from page 1.95.1.
 For rod accessories see from page 1.85.1.
 For dimensions of the cylinder with the piston-rod brake see page 1.75.5.

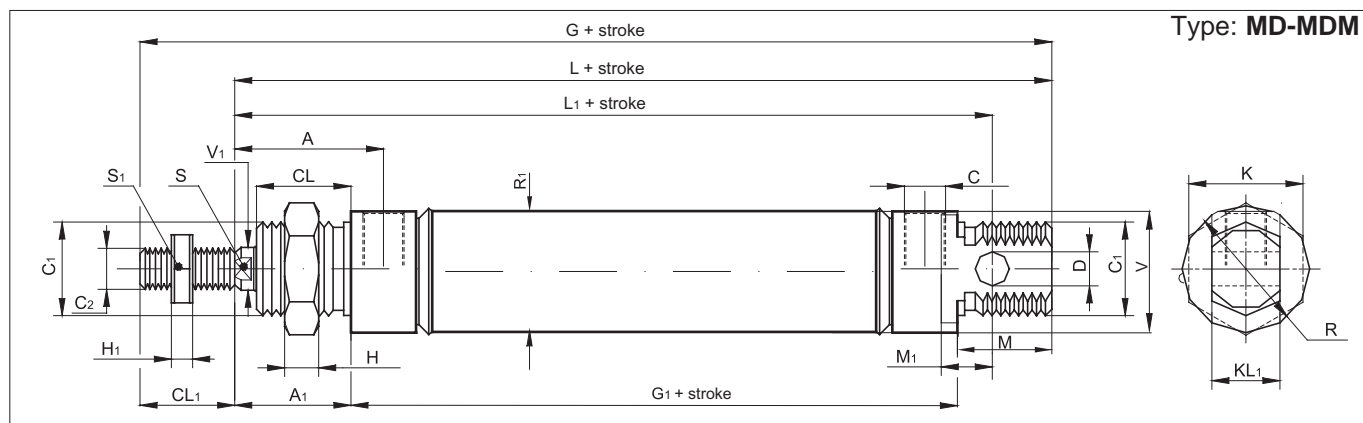
How to order: 25 / 50 MDMP

| | | | | |
|------|---|--------|------|--------|
| 25 | / | 50 | MDM | P |
| Bore | / | Stroke | Type | Option |

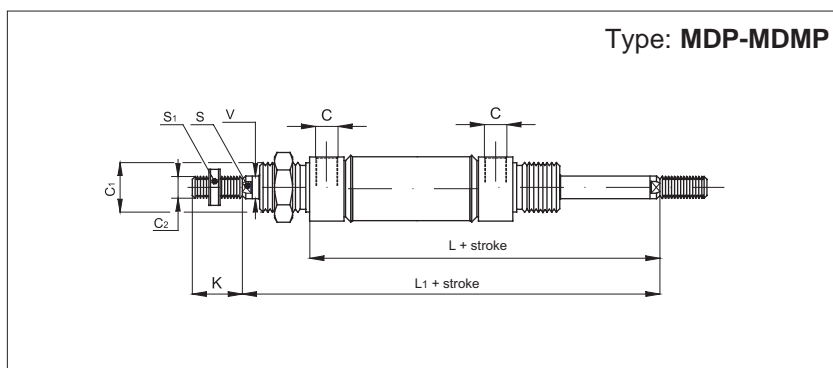
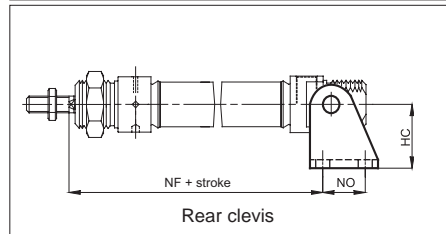
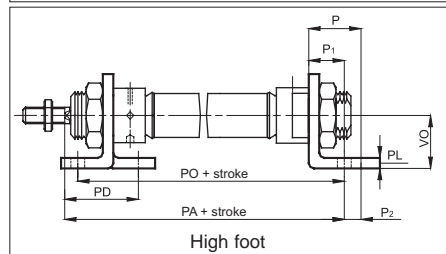
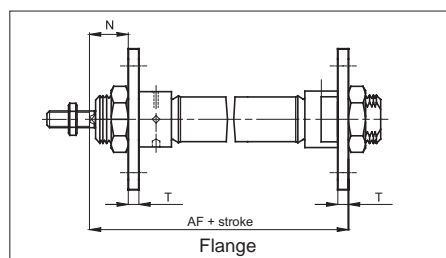
| Technical data | |
|-------------------|--|
| Fluid | Compressed filtered air with or without lubrication. Lubrication, if started, must be continued. |
| Pressure | max 10 bar |
| Temperature range | -30°C ÷ +80°C (standard) -20°C ÷ +150°C (V) |
| Materials | Heads: Anodised aluminium Tube: Stainless steel AISI 304 Rod: Stainless steel AISI 304 Seals: Polyurethane Piston: Brass |

| Bore (mm) | Standard strokes (mm) | Max stroke (mm) | Deceleration stroke (mm) |
|-----------|---|-----------------|--------------------------|
| 8 | 10, 25, 50, 80 100, 125, 160 200, 250, 320, 400, 500 | 200 | — |
| 10 | | 200 | — |
| 12 | | 320 | — |
| 16 | | 1000 | 16 |
| 20 | | 1000 | 17 |
| 25 | | 1000 | 20 |

The MDMA type can only be supplied with bores 16, 20, 25; the minimum stroke is 25 mm.
 See page 1.1.3 to calculate the cylinder force.
 Seal kits not available for these cylinders.



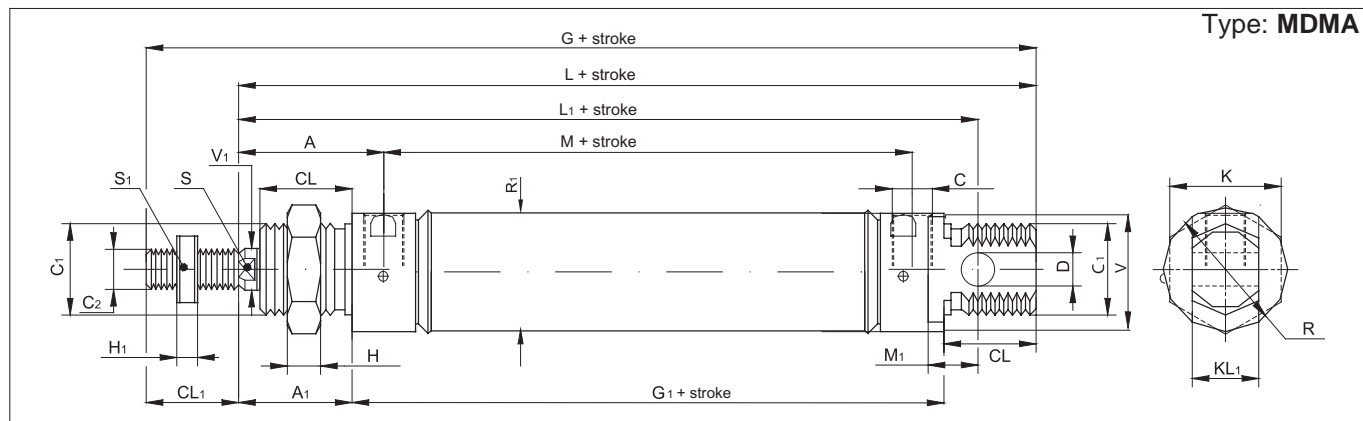
| Ø mm | C ₂ | V ₁ | C ₁ | R | KL ₁ | R ₁ | V | D | CL ₁ | L ₁ | L | M | G ₁ | A ₁ | CL | A | M ₁ | S | C | G | K | H | H ₁ | S ₁ |
|------|----------------|----------------|----------------|----|-----------------|----------------|------|---|-----------------|----------------|-----|----|----------------|----------------|----|------|----------------|---|------|-----|----|---|----------------|----------------|
| 8 | M4 | 4 | M12x1,25 | 16 | 8 | 9,27 | 15 | 4 | 12 | 64 | 74 | 12 | 46 | 16 | 12 | 21 | 6 | / | M5 | 86 | 19 | 7 | 3 | 7 |
| 10 | M4 | 4 | M12x1,25 | 16 | 8 | 11,27 | 15 | 4 | 12 | 64 | 74 | 12 | 46 | 16 | 12 | 21 | 6 | / | M5 | 86 | 19 | 7 | 3 | 7 |
| 12 | M6 | 6 | M16x1,5 | 21 | 12 | 13,27 | 19 | 6 | 16 | 75 | 89 | 16 | 51 | 22 | 16 | 27 | 9 | 5 | M5 | 105 | 19 | 8 | 3,5 | 12 |
| 16 | M6 | 6 | M16x1,5 | 21 | 12 | 17,27 | 19 | 6 | 16 | 82 | 96 | 16 | 58 | 22 | 16 | 27 | 9 | 5 | M5 | 112 | 19 | 8 | 3,5 | 12 |
| 20 | M8 | 8 | M22x1,5 | 30 | 16 | 21,27 | 28,5 | 8 | 20 | 95 | 105 | 22 | 59 | 24 | 18 | 31,5 | 12 | 7 | 1/8" | 125 | 27 | 6 | 5 | 14 |
| 25 | M10x1,25 | 10 | M22x1,5 | 30 | 16 | 26,5 | 28,5 | 8 | 22 | 104 | 114 | 22 | 64 | 28 | 20 | 36 | 12 | 9 | 1/8" | 136 | 27 | 6 | 6 | 17 |



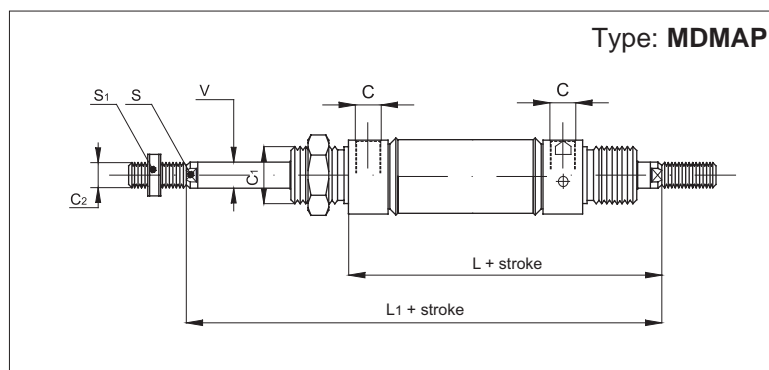
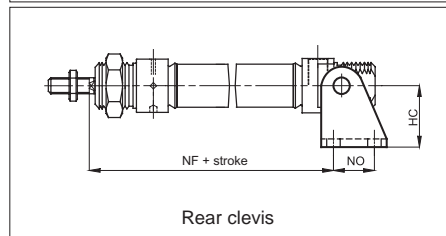
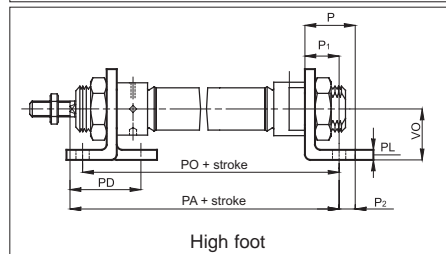
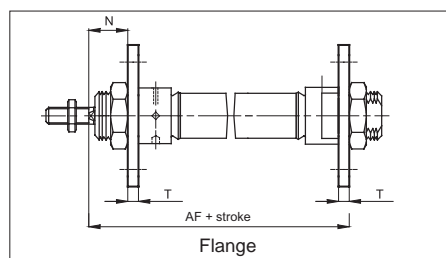
| Ø mm | L | L ₁ | C | C ₁ | C ₂ | S | S ₁ | V | K |
|------|----|----------------|------|----------------|----------------|---|----------------|----|----|
| 8 | 62 | 78 | M5 | M12x1,25 | M4 | / | 7 | 4 | 12 |
| 10 | 62 | 78 | M5 | M12x1,25 | M4 | / | 7 | 4 | 12 |
| 12 | 73 | 95 | M5 | M16x1,5 | M6 | 5 | 12 | 6 | 16 |
| 16 | 80 | 102 | M5 | M16x1,5 | M6 | 5 | 12 | 6 | 16 |
| 20 | 83 | 107 | 1/8" | M22x1,5 | M8 | 7 | 14 | 8 | 20 |
| 25 | 92 | 120 | 1/8" | M22x1,5 | M10x1,25 | 9 | 17 | 10 | 22 |

| Ø mm | AF | HC | P | P ₁ | P ₂ | PA | PD | PL | PO | T | VO | N | NF | NO |
|------|----|----|----|----------------|----------------|-----|----|----|----|---|----|----|------|------|
| 8 | 65 | 24 | 16 | 11 | 5 | 73 | 24 | 3 | 68 | 3 | 16 | 13 | 62,5 | 12,5 |
| 10 | 65 | 24 | 16 | 11 | 5 | 73 | 24 | 3 | 68 | 3 | 16 | 13 | 62,5 | 12,5 |
| 12 | 77 | 27 | 20 | 14 | 6 | 87 | 32 | 4 | 79 | 4 | 20 | 18 | 73 | 15 |
| 16 | 84 | 27 | 20 | 14 | 6 | 94 | 32 | 4 | 86 | 4 | 20 | 18 | 80 | 15 |
| 20 | 88 | 30 | 25 | 17 | 8 | 100 | 36 | 5 | 93 | 5 | 25 | 19 | 91 | 20 |
| 25 | 97 | 30 | 25 | 17 | 8 | 109 | 40 | 5 | 98 | 5 | 25 | 23 | 100 | 20 |

For dimensions and codes of the accessories see page 1.95.1.



| Ø mm | C ₂ | V ₁ | C ₁ | R | KL ₁ | R ₁ | V | D | CL ₁ | L ₁ | L | M | G ₁ | A ₁ | CL | A | M ₁ | S | C | G | K | H | H ₁ | S ₁ |
|------|----------------|----------------|----------------|----|-----------------|----------------|------|---|-----------------|----------------|-----|----|----------------|----------------|----|------|----------------|---|------|-----|----|---|----------------|----------------|
| 16 | M6 | 6 | M16x1,5 | 21 | 12 | 17,27 | 18 | 6 | 16 | 82 | 93 | 18 | 53 | 22 | 18 | 27 | 9 | 5 | M5 | 109 | 22 | 8 | 3,5 | 10 |
| 20 | M8 | 8 | M22x1,5 | 30 | 16 | 21,27 | 28,5 | 8 | 20 | 95 | 105 | 22 | 59 | 24 | 18 | 31,5 | 12 | 7 | 1/8" | 125 | 27 | 6 | 5 | 14 |
| 25 | M10x1,25 | 10 | M22x1,5 | 30 | 16 | 26,5 | 28,5 | 8 | 22 | 104 | 114 | 22 | 64 | 28 | 20 | 36 | 12 | 9 | 1/8" | 136 | 27 | 6 | 6 | 17 |



| Ø mm | L | L ₁ | C | C ₁ | C ₂ | S | S ₁ | V |
|------|----|----------------|------|----------------|----------------|---|----------------|----|
| 16 | 76 | 97 | M5 | M16x1,5 | M6 | 5 | 10 | 6 |
| 20 | 83 | 107 | 1/8" | M22x1,5 | M8 | 7 | 14 | 8 |
| 25 | 92 | 120 | 1/8" | M22x1,5 | M10x1,25 | 9 | 17 | 10 |

| Ø mm | AF | HC | P | P ₁ | P ₂ | PA | PD | PL | PO | T | VO | N | NF | NO |
|------|----|----|----|----------------|----------------|-----|----|----|----|---|----|----|-----|----|
| 16 | 82 | 27 | 20 | 14 | 6 | 92 | 32 | 4 | 84 | 4 | 20 | 18 | 80 | 15 |
| 20 | 88 | 30 | 25 | 17 | 8 | 100 | 36 | 5 | 93 | 5 | 25 | 19 | 91 | 20 |
| 25 | 97 | 30 | 25 | 17 | 8 | 109 | 40 | 5 | 98 | 5 | 25 | 23 | 100 | 20 |

For dimensions and codes of the accessories see page 1.95.1.