

Standard executions		
Version	Symbol	Type
Single acting		RS
Double acting		RD
Double acting magnetic		RDM
Double acting magnetic with cushionings		RDMA

Options		Suffix
Through rod		P
Rear spring		T
Seals FKM	-20°C ÷ +150°C	V
Low temperature seals	-40°C ÷ +80°C	BT
Low friction		L
Special versions on request		/ S

The options can be combined (when this is possible)

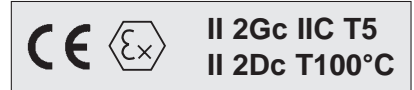
New



Series of cylinders not conforming to standards. The heads are connected with the body through rolling: this guarantees perfect tightening. Dumpers are in nitrile rubber to cushion the impact of the piston. RDMA type are provided with adjustable cushionings at both ends. The standard cylinders are provided with rod nut. One or more magnetic reed switches can be applied to the magnetic types. For the magnetic reed switches type ASV see from page 1.110.1. For mounting accessories see from page 1.96.1. For rod accessories see from page 1.85.5.

How to order: 40 / 50 RDMP

40	/	50	RDM	P
Bore	/	Stroke	Type	Option



On request, they can be supplied according to 2014/34/EU - ATEX

Technical data			
Fluid	Compressed filtered air with or without lubrication. Lubrication, if started, must be continued.		
Pressure	max 10 bar		
Temperature range	-30°C ÷ +80°C (standard)	-20°C ÷ +150°C (V)	-40°C ÷ +80°C (BT)
Materials	Heads:	Anodised aluminium	
	Tube:	Stainless Steel AISI 304	
	Rod:	Stainless Steel AISI 303	
	Piston:	Aluminium	
	Seals:	Polyurethane	

Single acting

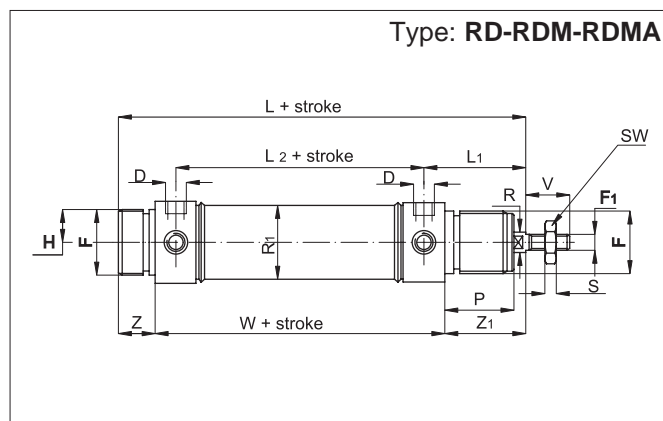
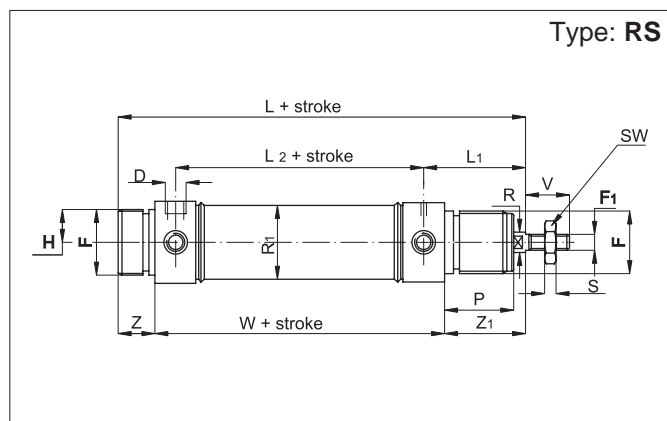
Bore (mm)	Standard strokes (mm)	Max stroke (mm)	Thrust force at 6 bar (N)	Thrust force of the spring (N)					
				Stroke 10		Stroke 25		Stroke 50	
				min.	max	min.	max	min.	max
32	10, 25, 50	50	482	57	62	51	62	40	62
40			754	98	105	86	105	64	105
50			1178	147	158	130	158	101	158
63			1869	147	158	130	158	101	158

Double acting

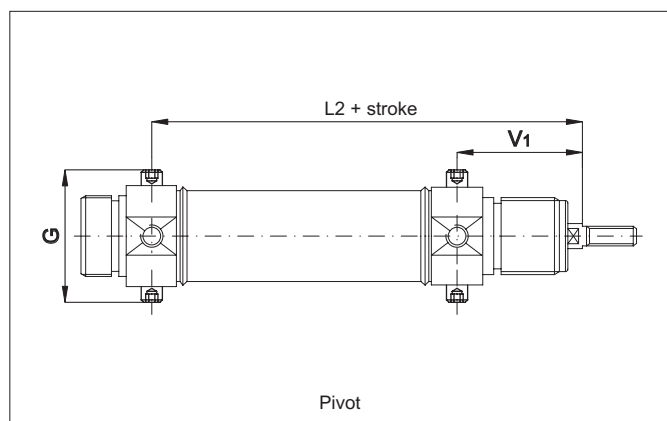
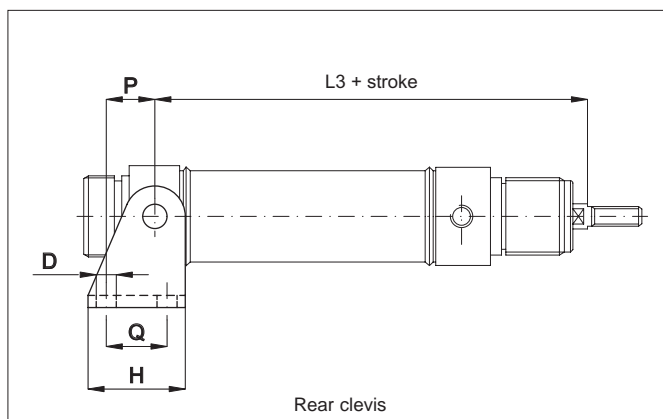
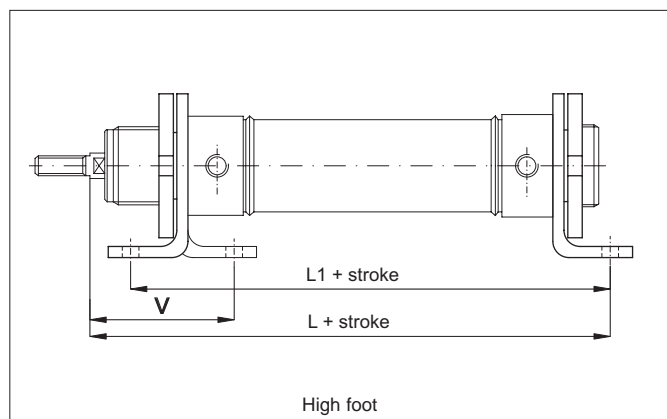
Bore (mm)	Standard strokes (mm)	Max stroke (mm)
32	25, 50, 80, 100, 125, 160, 200, 250, 320, 400, 500	1000
40		
50		
63		

See page 1.1.3 to calculate the double acting cylinder force. Seal kits not available for these cylinders.





Ø mm	V	F	P	D	F ₁	R	L ₂	Z	Z ₁	W	L ₁	L	R ₁	H	S	SW
32	20	M30x1,5	30	1/8"	M10x1,5	12	78	14	38	96	47	148	33,6	17,5	6	17
40	24	M38x1,5	35	1/4"	M12x1,75	16	89	16	45	113	57	174	41,6	21	7	19
50	32	M45x1,5	38	1/4"	M16x2	20	96	18	50	120	62	188	52,4	26,5	8	24
63	32	M45x1,5	38	3/8"	M16x2	20	98	18	50	124	63	192	65,4	32,5	8	24



Ø mm	L	L ₁	L ₂	L ₃	V	V ₁	P	H	Q	G	D
32	148	124	125	125	48	47	20	40	24	51	7
40	153	153	146	146	60	57	27	50	30	61	9
50	160	160	158	158	64	62	30	54	34	75	9
63	164	164	161	161	65	63	34	65	35	92	9