

**15 mm directly operated solenoid valves**  
**3/2, normally open and normally closed**

Standard executions			
Version	Symbol	Code	Item
3/2, N. C. 12 V DC		034601	AE05C01200
3/2, N. C. 24 V DC		034602	AE05C02400
3/2, N. C. 24 V AC		034603	AE05C02450
3/2, N. C. 110 V AC		034604	AE05C11050
3/2, N. C. 230 V AC		034605	AE05C22050
3/2, N. A. 12 V DC		034611	AE05A01200
3/2, N. A. 24 V DC		034612	AE05A02400
3/2, N. A. 24 V AC		034613	AE05A02450
3/2, N. A. 110V AC		034614	AE05A11050
3/2, N. A. 230 V AC		034615	AE05A22050



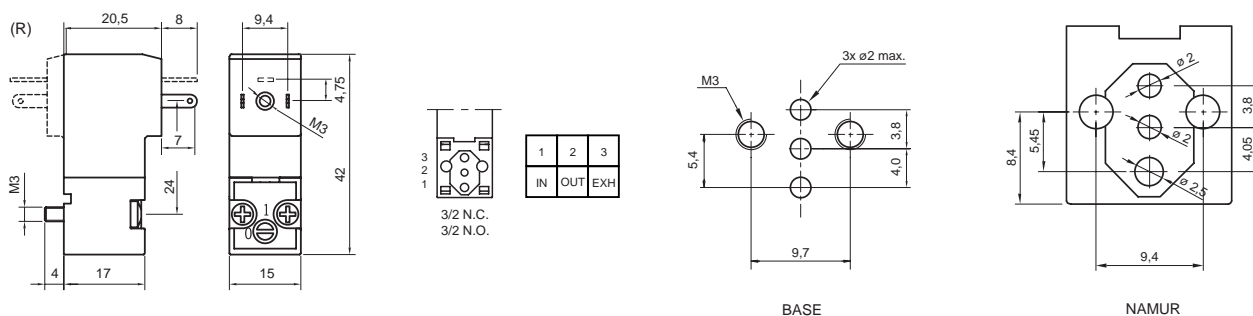
Series of directly operated poppet valves for single or manifold sub-bases, standard with coil and without connector.  
 The single base is M5 threaded.  
 The manifold bases can be supplied with M5 ports or with integral 4 mm push-in fitting.  
 For sub-bases see page 2.2.2.  
 For the connectors type A19207.. see page 2.210.10.

Note: The maximum couple of locking of M3 screws must not exceed 0,5 Nm.  
 (The locking screws are included together with the valve).

Technical data	
Fluid	Compressed filtered air with or without lubrication
Pressure range	0 ÷ 10 bar
Temperature range	-10 °C ÷ + 50°C
Orifice	1,1 mm.
Normal flow at 6 bar	35 NI/min
Manual override	Two stable position, flat
Response time	5 ms (ON) - 6 ms (OFF)
Mounting	In any position
Duty cycle	ED 100%
Voltage tolerance	± 10%
Class protection	IP 65 (with connector already mounted)
Electrical consumption	2 W
Materials	Body: Acetal resin Internal parts: Acetal resin - stainless steel Seals: Nitrile rubber (NBR) Screws: Zinc plated steel

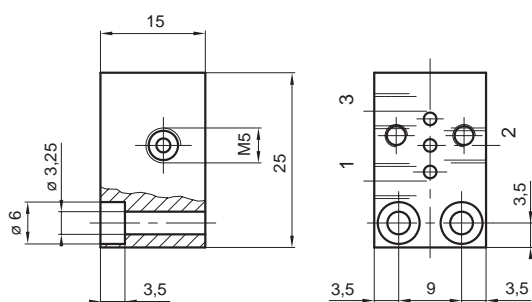
15 mm directly operated solenoid valves  
3/2, normally open and normally closed

Type: AE05...



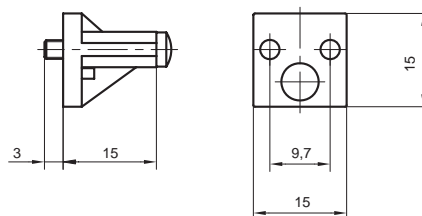
Single base

Type: ABAS05S



Closing plate

Type: ABAS05T

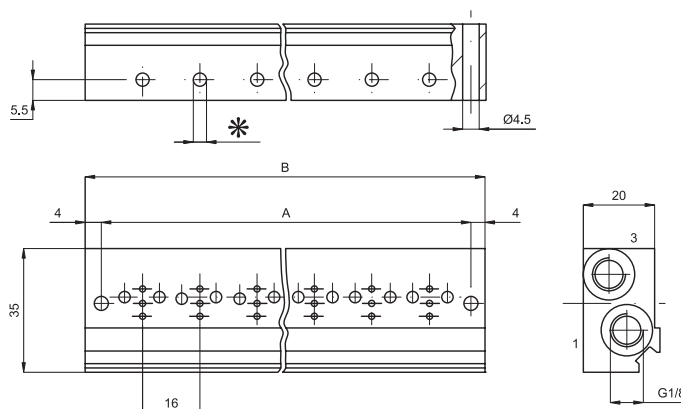


Code	Item
034621	ABAS05S

Code	Item
034622	ABAS05T

Manifold base

Type: ABAS05...



With M5 ports				
Code	Item	Positions	A	B
034625	ABAS050205	2	44	37
034626	ABAS050305	3	60	53
034627	ABAS050405	4	76	69
034628	ABAS050505	5	92	85
034629	ABAS050605	6	108	101
034630	ABAS050705	7	124	117
034631	ABAS050805	8	140	133
034632	ABAS050905	9	156	149
034633	ABAS051005	10	172	165