

ABM/ABX Series

Combined Type Vacuum Pump



How to order

ABM 5 ×5 - 4 - F L

① ② ③ ④ ⑤ ⑥

① Series	② Specification	③ Vacuum stack	④ Vacuum port, inner dia of hose	⑤ Sealing	⑥ Vacuum filter
ABM - Universal type (-85kPa)	5	2、3、4、5、6、7、8、9、	4 – φ4	Nil - Standard, NBR	Nil - Standard, without vacuum filter
ABX - High vacuum level type (-92kPa)	10	10、11、12、13、14、15、16 (Layer)		F - Fluorine rubber E - EPDM	L - With ZFL 06 vacuum filter

Selection

Model	Specification	Vacuum stack	Vacuum port, inner dia of hose	Sealing			Vacuum filter	
				Nil	F	E	Nil	L
ABM	5	2-16	4	●	○	○	●	○
ABX	10	2-12						

◇Note: "●"- standard, in stock. "○"-selective, no stock.

Technical parameters

Vacuum flow (NL/min) at different vacuum levels (-kPa)

Model	Specification	Air supply pressure (bar)	Air consumption (NL/min)	Vacuum level (-kPa)										Max. vacuum level (-kPa)
				0	10	20	30	40	50	60	70	80	90	
ABM	5×1	6.0	20	25	15	12.5	11	10	7.5	5.5	2	0.6	-	85
	10×1	6.0	42	32	28	24	22	18	15	11	5	1.35	-	85
ABX	5×1	6.0	22	23	14	10	9	7.5	6	4	2.8	1.5	0.44	92
	10×1	6.0	40	32	21	18	16	14	11	9.5	5.5	2.5	1.1	92

Evacuation time (s/L) to reach different vacuum levels (-kPa)

Model	Specification	Air supply pressure (bar)	Air consumption (NL/min)	Vacuum level (-kPa)										Max. vacuum level (-kPa)
				10	20	30	40	50	60	70	80	90		
ABM	5×1	6.0	20	0.2	0.59	1.1	1.58	2.4	3.52	5.3	10.3	-	85	
	10×1	6.0	42	0.12	0.28	0.6	0.81	1.18	1.82	2.65	5.21	-	85	
ABX	5×1	6.0	22	0.21	0.81	1.52	2.35	3.48	4.85	6.57	10.5	19.3	92	
	10×1	6.0	40	0.14	0.4	0.78	1.22	1.77	2.4	3.3	4.95	9.62	92	

ABM/ABX Series

Combined Type Vacuum Pump

Technical Parameters

Model	Specification	Air supply pressure (bar)	Max. vacuum level (-kPa)	Max. Vacuum flow (NL/min)	Air consumption (NL/min)	Noise level dB(A)	Weight (g)	Recommended hose dia. (mm)		
								Air supply (P)	Vacuum (V)	Exhaust (E)
ABM	5×2	4.5-6.0	85	25×2	29 - 41	55 - 60	67	6	6	G3/8×1
	5×3			25×3	44 - 64	55 - 60	80	6	G3/8×1	
	5×4			25×4	61 - 85	55 - 60	247	8	G3/8×1	
	5×5			25×5	71 - 104	60 - 65	255	8	G3/8×1	
	5×6			25×6	89 - 125	60 - 65	281	8	G3/8×1	
	5×7			25×7	104 - 145	60 - 65	299	8	G3/8×1	
	5×8			25×8	120 - 168	60 - 65	317	10	G3/8×1	
	5×9			25×9	132 - 190	60 - 65	335	10	G3/8×1	
	5×10			25×10	148 - 211	60 - 65	353	10	G3/8×1	
	5×11			25×11	165 - 232	60 - 65	371	10	G3/8×1	
	5×12			25×12	180 - 252	60 - 65	389	10	G3/8×2	
	5×13			25×13	195 - 275	60 - 65	417	10	G3/8×2	
	5×14			25×14	208 - 293	60 - 65	435	10	G3/8×2	
	5×15			25×15	225 - 316	60 - 65	453	12	G3/8×2	
	5×16			25×16	241 - 335	60 - 65	471	12	G3/8×2	
	ABM			10×2	4.5-6.0	85	32×2	61 - 85	55 - 60	67
10×3		32×3	91 - 125	60 - 65			80	8	G3/8×1	
10×4		32×4	121 - 167	60 - 65			247	10	G3/8×1	
10×5		32×5	151 - 212	60 - 65			255	10	G3/8×1	
10×6		32×6	185 - 255	60 - 65			281	10	G3/8×2	
10×7		32×7	211 - 295	60 - 65			299	10	G3/8×2	
10×8		32×8	241 - 335	60 - 65			327	10	G3/8×2	
10×9		32×9	271 - 376	60 - 65			345	12	G3/8×2	
10×10		32×10	301 - 421	60 - 65			363	12	G3/8×2	
10×11		23×11	332 - 463	60 - 63			381	12	G3/8×2	
10×12		23×12	361 - 505	60 - 63			399	12	G3/8×2	
ABX		5×2	4.5-6.0	92			23×2	43 - 49	55 - 60	67
	5×3	23×3			65 - 73	55 - 60	80	6	G3/8×1	
	5×4	23×4			85 - 96	60 - 63	247	8	G3/8×1	
	5×5	23×5			106 - 121	60 - 63	255	8	G3/8×1	
	5×6	23×6			130 - 144	60 - 63	281	8	G3/8×1	
	5×7	23×7			151 - 167	60 - 63	299	8	G3/8×1	
	5×8	23×8			173 - 193	60 - 63	317	10	G3/8×1	
	5×9	23×9			195 - 217	60 - 63	335	10	G3/8×1	
	5×10	23×10			215 - 241	60 - 63	353	10	G3/8×1	
	5×11	23×11			238 - 265	60 - 63	371	10	G3/8×1	
	5×12	23×12			260 - 289	60 - 63	389	10	G3/8×2	
	5×13	32×13			281 - 313	60 - 63	417	10	G3/8×2	
	5×14	32×14			346 - 335	63 - 65	435	10	G3/8×2	
	5×15	32×15			389 - 361	63 - 65	453	10	G3/8×2	
	5×16	32×16			346 - 385	63 - 65	471	10	G3/8×2	

◇Note: Operating temperature -20-80°C and max. air supply pressure 7bar.

ABM/ABX

ABM/ABX
Combined type

ASM/ASX

ASM/ASX
Combined type

AM/AL/AH

AM/AL/AH
Combined type

AZL

ACP

ACPF

ACPS

ACV

AQV

AZH

AZU

ASBP

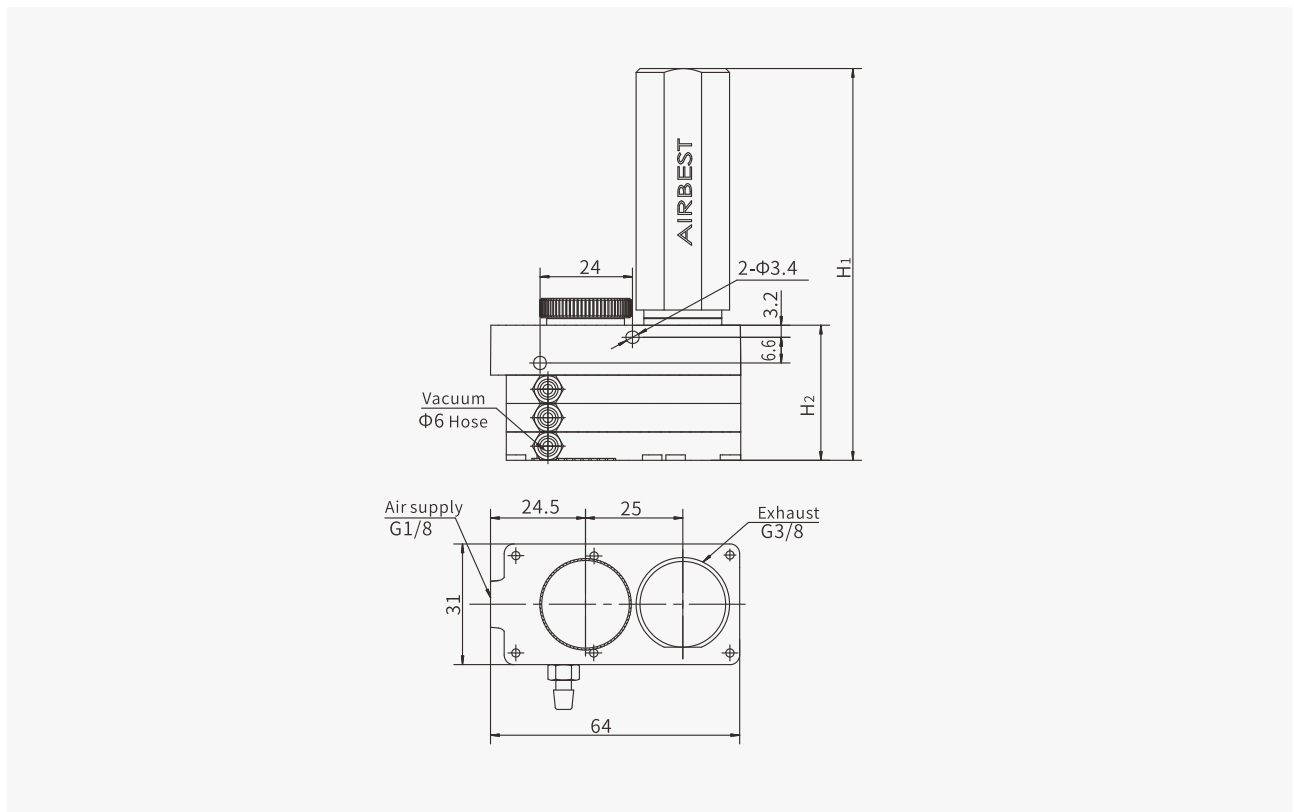
ABM/ABX Series

Combined Type Vacuum Pump

Technical parameters

Model	Specification	Air supply pressure (bar)	Max. vacuum level (-kPa)	Max. Vacuum flow (NL/min)	Air consumption (NL/min)	Noise level dB(A)	Weight (g)	Recommended hose dia. (mm)		
								Air supply (P)	Vacuum (V)	Exhaust (E)
ABX	10×2	4.5-6.0	92	32×2	87 - 96	60 - 63	67	6	6	G3/8×1
	10×3			32×3	130 - 145	63 - 65	80	6	G3/8×1	
	10×4			32×4	173 - 193	63 - 65	247	8	G3/8×1	
	10×5			32×5	215 - 241	63 - 65	255	8	G3/8×1	
	10×6			32×6	260 - 288	63 - 65	281	10	G3/8×2	
	10×7			32×7	303 - 337	63 - 65	299	10	G3/8×2	
	10×8			32×8	346 - 385	63 - 65	327	10	G3/8×2	
	10×9			32×9	389 - 433	63 - 65	345	12	G3/8×2	
	10×10			32×10	433 - 481	63 - 65	363	12	G3/8×2	
	10×11			32×11	476 - 529	63 - 65	381	12	G3/8×2	
	10×12			32×12	519 - 578	63 - 65	399	12	G3/8×2	

Dimensions (mm)

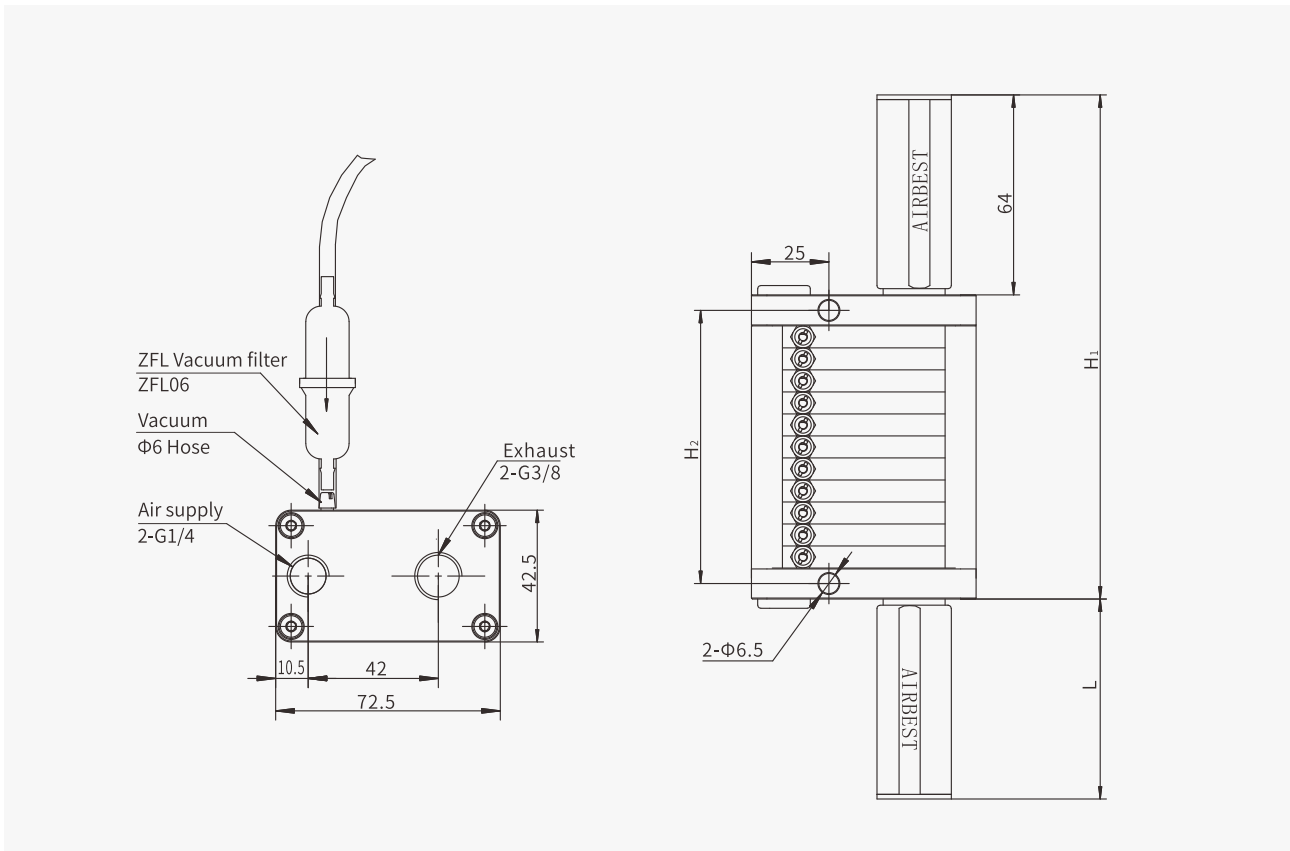


Model	Specification	H ₁	H ₂	Air supply port	Vacuum port	Exhaust port
ABM	5(10)×2	91.5	27.5	G1/8F	M5-Φ6	External silencer
ABX	5(10)×3	99	35			

ABM/ABX Series

Combined Type Vacuum Pump

Dimensions (mm)



Model	Vacuum stack	5			10			Air supply port	Vacuum port	Exhaust port
		H ₁	H ₂	L	H ₁	H ₂	L			
ABM	4	113	39	—	113	39	—	G1/4	Φ6 Hose fitting	External silencer
ABX	5	121	47	—	121	47	—			
	6	128	54	—	128	54	64			
	7	135	61	—	135	61	64			
	8	142	68	—	142	68	64			
	9	150	76	—	150	76	64			
	10	157	83	—	157	83	64			
	11	164	90	—	164	90	64			
	12	172	98	64	172	98	64			
	13	179	105	64	—	—	—			
	14	186	112	64	—	—	—			
	15	194	120	64	—	—	—			
	16	201	127	64	—	—	—			

ABM/ABX

ABM/ABX
Combined type

ASM/ASX

ASM/ASX
Combined type

AM/AL/AH

AM/AL/AH
Combined type

AZL

ACP

ACPF

ACPS

ACV

AQV

AZH

AZU

ASBP