

# ACPF Series

Conveying Vacuum Pump



## Features

- ◇ Straight through design avoids blocking while transferring materials and easy to maintain. Suitable for transferring particles, powder and block objects.
- ◇ Available in different bore sizes, max flow can be achieved with in line bore size up to 19 mm
- ◇ Various materials for different operating conditions.

## Applications

- ◇ Transferring material
- ◇ Selvedge removal in trimming operation
- ◇ Transferring corn and wheat
- ◇ Transferring powder detergent, plastical powder and plastical particles
- ◇ Debris and powder removal in drilling operation
- ◇ Powder removal in grinding operation

## How to order

ACPF 2-3 S  
 ①            ②            ③

① Series	② Specification	③ Material
ACPF	2- 3	Nil - Aluminum alloy <span style="color: blue;">■</span>
	3- 3	S - Stainless steel <span style="color: grey;">■</span>
	5- 6	
	7- 6	
	15- 3	
	15- 6	

## Selection

Model/Material	Aluminum alloy	Stainless steel
ACPF2-3	●	○
ACPF3-3	●	○
ACPF5-6	●	○
ACPF7-6	●	○
ACPF15-3	●	○
ACPF15-6	●	○

◇Note: "●"- standard, in stock. "○"-selective, no stock.

# ACPF Series

Conveying Vacuum Pump

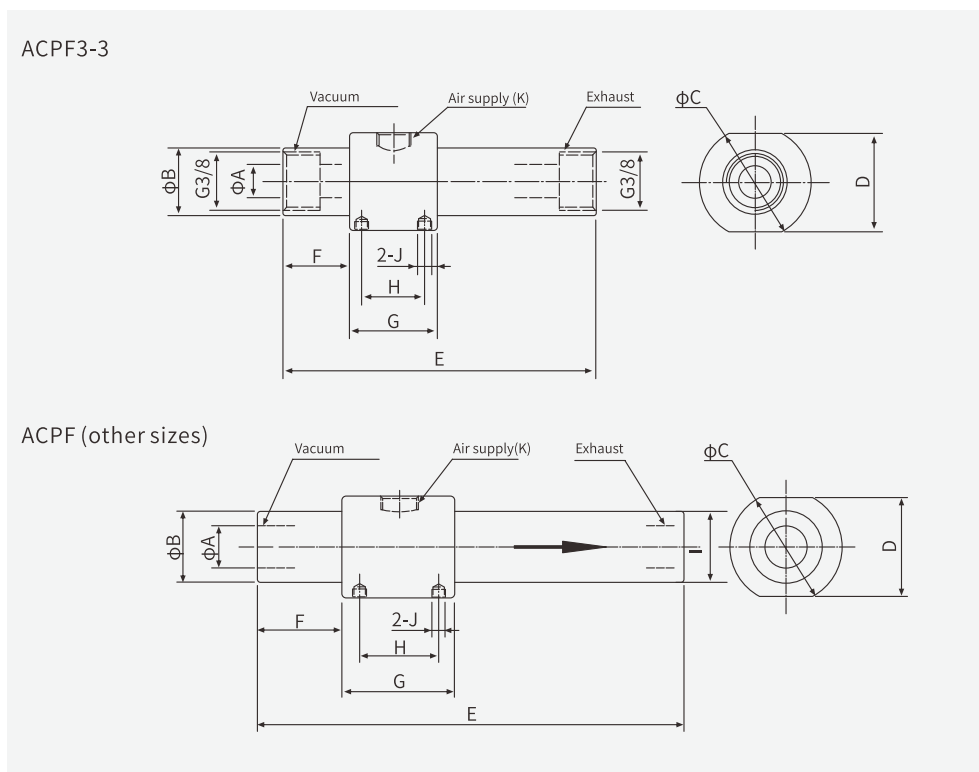
- ABM/ABX
- ABM/ABX Combined type
- ASM/ASX
- ASM/ASX Combined type
- AM/AL/AH
- AM/AL/AH Combined type
- AZL
- ACP
- ACPF**
- ACPS
- ACV
- AQV
- AZH
- AZU
- ASBP

## Technical parameters

Model	Nozzle diameter (mm)	Air supply pressure (bar)	Vacuum level (-kPa)	Vacuum flow (NL/min)	Air consumption (NL/min)		Weight(g)		Operating temperature (°C)
					2.8bar	5.5bar	Aluminum alloy	Stainless steel	
ACPF2-3	6.5	6	26	295	85	160	85	252	-20~80
ACPF3-3	9.5	6	16	425	95	170	69	205	-20~80
ACPF5-6	12.5	6	35	870	395	680	170	505	-20~80
ACPF7-6	19	6	28	1,825	790	1,365	388	1,151	-20~80
ACPF15-3	25	6	4.4	4,400	405	695	519	1,537	-20~80
ACPF15-6	38	6	9	5,610	790	1,365	659	1,953	-20~80

◇Note: Air supply pressure range 4-6bar, Max. air supply pressure 7bar.

## Dimensions (mm)



Model/Size	A	B	C	D	E	F	G	H	I	J	K
ACPF2-3	6.5	18.5	32	30	89	19	25	18	19.5	M4	G1/8
ACPF3-3	9.5	18.5	32	30	89	19	25	18	19.5	M4	G1/8
ACPF5-6	12.5	24	38	34	140	25	32	23	25	M4	G1/4
ACPF7-6	19	32	50	45	190	38	50	35	33	M4	G3/8
ACPF15-3	25	38	59	55	198	40	56	40	38	M4	G3/8
ACPF15-6	38	49.6	69	65	205	40	60	42	49.6	M4	G3/8

◇Note: ACPF3-3 is designed with G3/8 female thread at both ends, the other models are through-hole design.