

ACPS Series

Conveying Vacuum Pump



Features

- ◇ Straight through design avoids blocking while transferring materials and easy to maintain. Suitable for transferring particles.
- ◇ Available in different bore sizes, max flow can be achieved with in line bore size up to 75 mm

Applications

- ◇ Transferring materials
- ◇ Transferring porous material such as textile, paper, foam, etc.
- ◇ Transferring particles such as powder, beans, coffee beans and other bulk goods.
- ◇ Removal of non-corrosive vapour and gas.

How to order

ACPS 10

①

②

① Series	② Nozzle diameter	Material
ACPS	10 - ϕ 10mm	Nil - Aluminum alloy ■
	20 - ϕ 20mm	
	40 - ϕ 40mm	
	75 - ϕ 75mm	

Selection

Model/Material	Aluminum alloy
ACPS10	●
ACPS20	●
ACPS40	●
ACPS75	○

◇Note: "●"-standard, in stock. "○"-selective, no stock.

ACPS Series

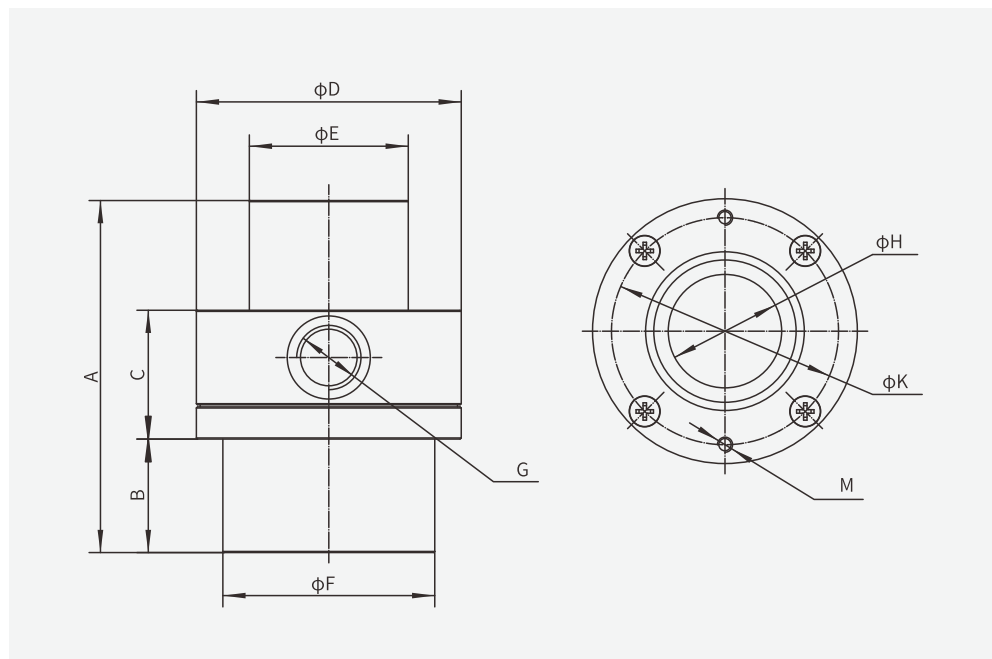
Conveying Vacuum Pump

Technical parameters

Model	Nozzle diameter (mm)	Air supply pressure (bar)	Vacuum level (-kPa)	Vacuum flow (NL/min)	Air consumption (NL/min)	Weight (g)	Operating temperature (°C)
ACPS10	10	5	12	655	118	77	-20~80
ACPS20	20	5	2-8	1,950	221	189	-20~80
ACPS40	40	5	2-8	2,900	430	522	-20~80
ACPS75	75	5	2-8	8,588	876	2,308	-20~80

◇Note: Air supply pressure 2-6 bar.

Dimensions (mm)



Model/Size	A	B	C	D	E	F	G	H	K	M
ACPS10	70	23	21	37	19	19	G1/8	10	29	M4
ACPS20	90	30	30	50	32	38	G1/4	20	41.5	M4
ACPS40	94	30	34	84	52	75	G3/8	40	72	M4
ACPS75	180	35	65	140	100	125	G1/2	75	126	M6