

ACP Series

Conveying Vacuum Pump



Features

- ◇ Single stage vacuum pump which is capable of adjusting vacuum flow.
- ◇ Suitable for sucking or removal of particles or small debris.
- ◇ Various materials for different operating conditions.
- ◇ Available in different bore sizes, max flow can be achieved with in line bore size up to 19 mm

Applications

- ◇ Transferring materials
- ◇ Selvedge removal in trimming operation
- ◇ Transferring corn and wheat
- ◇ Transferring powder detergent, plastical powder and plastical particles
- ◇ Debris and powder removal in drilling operation
- ◇ Powder removal in grinding operation

How to order

ACP 250 S

① ② ③

① Series	② Specification	③ Material
ACP	250	Nil - Aluminum alloy ■
	375	S - Stainless steel ■
	500	
	750	

Selection

Model/Material	Aluminum alloy	Stainless steel
ACP250	●	○
ACP375	●	○
ACP500	●	○
ACP750	●	○

◇ Note: "●"- standard, in stock. "○"-selective, no stock.

ACP Series

Conveying Vacuum Pump

Technical parameters

Air consumption(NL/min) at different vacuum levels (-kPa)

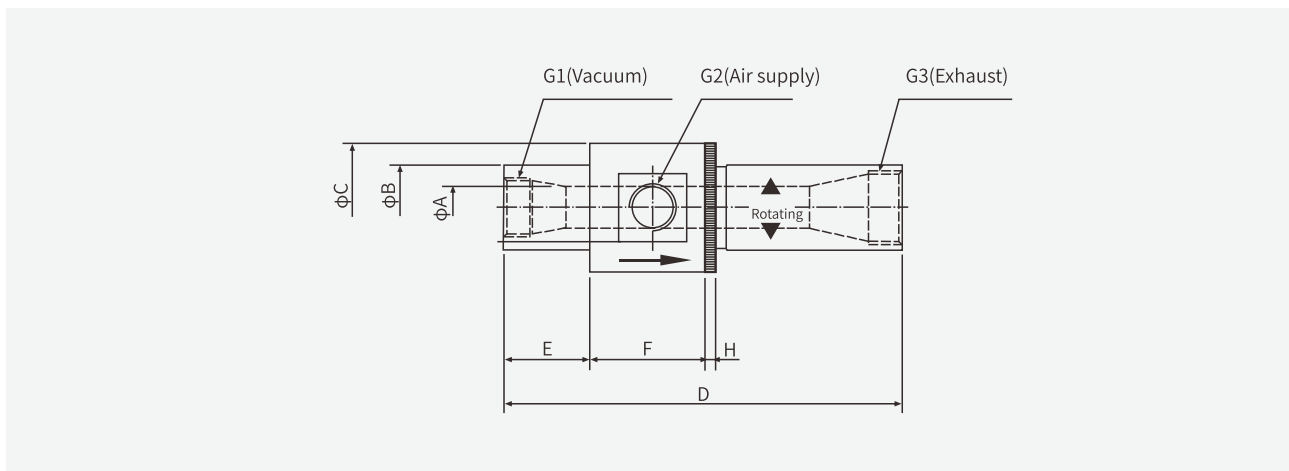
Model	Nozzle diameter (mm)	Air supply pressure (bar)	Air consumption (NL/min)					Weight(g)		Operating temperature(°C)
			17	34	50	68	84	Aluminum alloy	Stainless steel	
ACP250	6.5	5.5	112	169	233	276	342	100	296	-20~80
ACP375	10	5.5	176	327	485	595	825	286	846	-20~80
ACP500	13	5.5	340	625	795	940	1,280	401	1,189	-20~80
ACP750	19	5.5	650	875	1,250	1,790	2,550	540	1,599	-20~80

Vacuum flow (NL/min) to reach different vacuum levels (-kPa)

Model	Air supply pressure (bar)	17	34	50	68	84
ACP250	5.5	280	240	200	162	125
ACP375	5.5	846	735	620	520	395
ACP500	5.5	1,695	1,325	1,130	990	650
ACP750	5.5	3,390	2,460	1,970	1,440	1,130

◇Note: Air supply pressure range 4-6bar, max air supply pressure 7bar and max vacuum level -84kPa.

Dimensions (mm)



Model/Size	A	B	C	D	E	F	H	G1	G2	G3
ACP250	6.5	19	32	94 - 105	22	32	5	G1/4	G1/8	G1/4
ACP375	10	25	45	155 - 165	38	45	5	G3/8	G3/8	G1/2
ACP500	13	32	51	155 - 160	38	51	5	G1/2	G3/8	G3/4
ACP750	19	38	58	175 - 189	38	51	5	G3/4	G1/2	G1"

ABM/ABX

ABM/ABX
Combined type

ASM/ASX

ASM/ASX
Combined type

AM/AL/AH

AM/AL/AH
Combined type

AZL

ACP

ACPF

ACPS

ACV

AQV

AZH

AZU

ASBP