

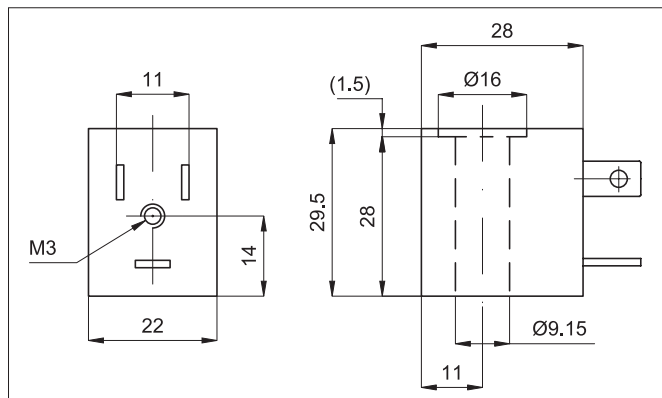
Type ASA12 / ATEX II3

Series of coils conforming to 2014/34/EU Directive for application in potential explosive atmospheres Group II, category 3, Gas and Dust. Isolation class F.

With ATEX certification, for valves series A1.

For the connector type A122... ATEX see page 2.210.50

Voltage	Code	Item
12V DC	032100X	ASA1201200/ATEXII3
24V DC	032102X	ASA1202400/ATEXII3
24V AC	032103X	ASA1202450/ATEXII3
110V AC	032105X	ASA1211050/ATEXII3
220V AC	032106X	ASA1222050/ATEXII3



CE II 3G Ex nA IIB T5 Gc X
II 3D Ex tc IIIC T95°C Dc X

Supplied according to 2014/34/EU - ATEX



Technical data	Direct current	Alternating current
Voltage tolerance	± 10%	± 10%
Frequency	-	50/60 Hz
Electrical consumption	3 W	5 VA
Voltage	12 and 24 V	24, 110, 220 V
Duty cycle	100% ED	
Class protection	IP 65 (with connector already mounted)	
Temperature range	-15 °C ÷ + 50 °C	

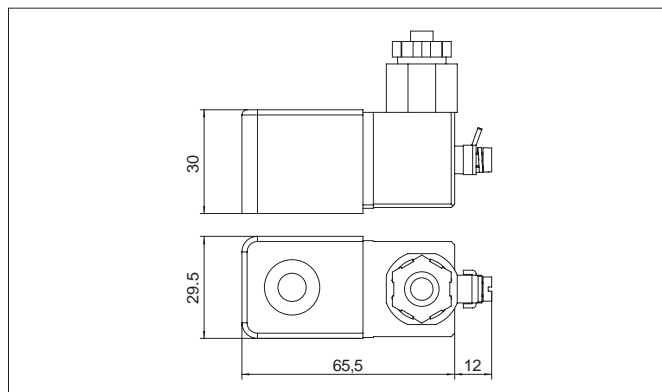
Type ASA2 / ATEX II2

Series of coils size 30 mm conforming to 2014/34/EU Directive for application in potential explosive atmospheres Group II, category 2, Gas and Dust. Isolation class F.

Supplied with 3 mt length cable, these coils won't need a connector mounted.

With ATEX certification, for valves series A1 / ISO

Voltage	Code	Item
24V DC	032192	ASA202400/ATEXII2
24V AC	032193	ASA202450/ATEXII2
48V AC	032196	ASA204850/ATEXII2
110V DC	032197	ASA211000/ATEXII2
110V AC	032194	ASA211050/ATEXII2
230V AC	032195	ASA222050/ATEXII2



CE II 2G Ex mb IIB T5 Gb
II 2D Ex tb IIIC T95°C IP66 Db

Supplied according to 2014/34/EU - ATEX



Technical data	Direct current	Alternating current
Voltage tolerance	± 10%	± 10%
Frequency	-	50/60 Hz
Electrical consumption	3 W	3,2 VA
Voltage	24 and 110 V	12, 24, 48, 110, 230 V
Duty cycle	100% ED	
Class protection	IP 66	
Temperature range	-50 °C ÷ + 50 °C	

Type ASA4 / ATEX II2

Series of coils size 36 mm conforming to 2014/34/EU Directive for application in potential explosive atmospheres Group II, category 2, Gas and Dust. Isolation class F. These coils won't need a connector mounted. With ATEX certification, for valves series A1 / ISO

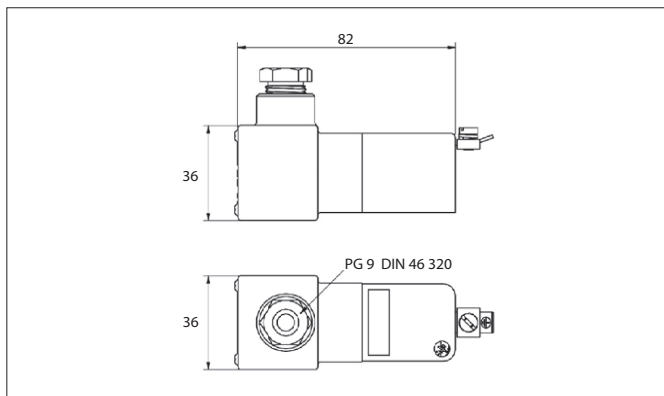
II 2G Ex db mb IIC T5 Gb
II 2D Ex tb IIIC T95°C Db IP66

Supplied according to 2014/34/EU - ATEX



Voltage	Code	Item
24V DC	032199	ASA402400/ATEXII2

For further voltages please contact the sales department.



Technical data	Direct current	Alternating current
Voltage tolerance	± 10%	± 10%
Frequency	-	50/60 Hz
Electrical consumption	3 W	3,2 VA
Voltage	-	24 V
Duty cycle	100% ED	
Class protection	IP 66	
Temperature range	-50 °C ÷ + 50 °C	

