

AZH Series

Basic Vacuum Pump



Features

- ◇ Equipped with One-touch fitting, easy to install.
- ◇ Resin made housing, small volume and light weight.
- ◇ Available in high vacuum level type and large vacuum flow type.



D-Body ported type

Applications

- ◇ Suitable for occasions where vacuum is required for each station in fast operation.
- ◇ Handling of electronic components.
- ◇ Various specifications to meet different operation requirements.
- ◇ Used in separation system for plastic and metal plate processing.



B-Box type

How to order

AZH07 B S -06 - 06
AZH07 D S -01 - 01 - 01
 ① ② ③ ④ ⑤ ⑥

① Series	② Nozzle diameter	③ Specification	④ Air supply	⑤ Vacuum	⑥ Exhaust
AZH	05 - φ0.5mm	S - High vacuum level type (-88kPa)	06 - φ6 One-touch fitting	06 - φ6 One-touch fitting	06 - φ6 One-touch fitting
	07 - φ0.7mm		08 - φ8 One-touch fitting	10 - φ10 One-touch fitting	08 - φ8 One-touch fitting
	10 - φ1.0mm		10 - φ10 One-touch fitting	12 - φ12 One-touch fitting	10 - φ10 One-touch fitting
	13 - φ1.3mm		12 - φ12 One-touch fitting	16 - φ16 One-touch fitting	12 - φ12 One-touch fitting
	15 - φ1.5mm		L - Large vacuum flow type (-48kPa)	01 - Rc1/8 Thread connection	01 - Rc 1/8 Thread connection
	18 - φ1.8mm	02 - Rc1/4 Thread connection		02 - Rc 1/4 Thread connection	01 - Rc 1/8 Thread connection
	20 - φ2.0mm	03 - Rc3/8 Thread connection		03 - Rc 3/8 Thread connection	02 - Rc 1/4 Thread connection
				04 - Rc 1/2 Thread connection	03 - Rc 3/8 Thread connection
					04 - Rc 1/2 Thread connection

Selection

Model	Air supply	Vacuum	Exhaust
AZH05B	φ6/Rc1/8	φ6/Rc1/8	-
AZH07B	φ6/Rc1/8	φ6/Rc1/8	-
AZH10B	φ6/Rc1/8	φ6/Rc1/8	-
AZH13B	φ8/Rc1/8	φ10/Rc1/4	-
AZH05D	φ6/Rc1/8	φ6/Rc1/8	φ6/Rc1/8
AZH07D	φ6/Rc1/8	φ6/Rc1/8	φ6/Rc1/8
AZH10D	φ6/Rc1/8	φ6/Rc1/8	φ8/Rc1/8
AZH13D	φ8/Rc1/8	φ10/Rc1/4	φ10/Rc1/4
AZH15D	φ10/Rc1/4	φ12/Rc3/8	φ12/Rc3/8
AZH18D	φ12/Rc3/8	φ12/Rc3/8	φ12/Rc3/8
AZH20D	φ12/Rc3/8	φ16/Rc1/2	φ16/Rc1/2

AZH Series

Basic Vacuum Pump

Technical parameters

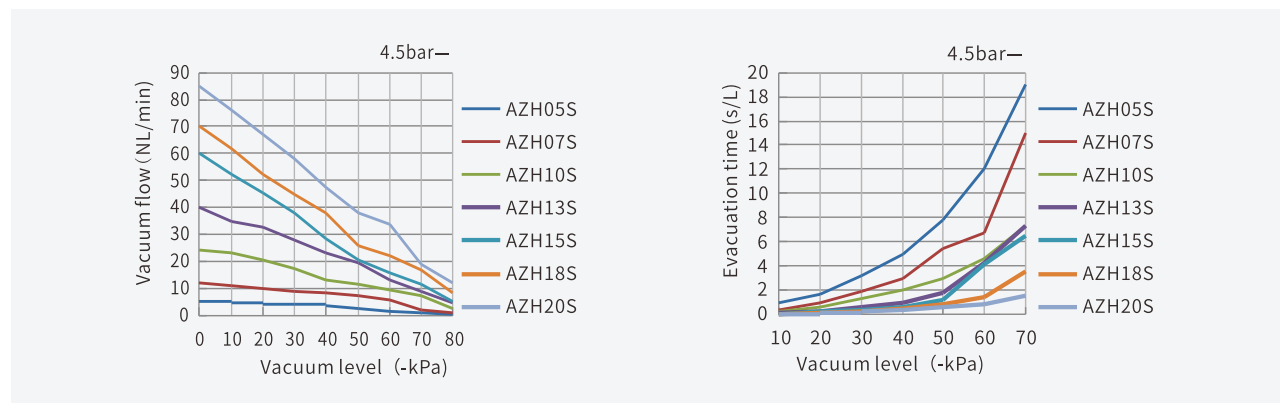
Model	Nozzle diameter (mm)	Air supply pressure (bar)	Max. vacuum level (-kPa)		Max. Vacuum flow (NL/min)		Air consumption (NL/min)	Recommended hose dia.(mm)		
			H	L	H	L		Air supply (S)	Vacuum (V)	Exhaust (E)
AZH05B	0.5	4.5	88	48	5	9	13.5	φ6	φ6	—
AZH07B	0.7	4.5	88	48	12	22	23.5	φ6	φ6	—
AZH10B	1.0	4.5	88	48	24	34	46	φ6	φ6	—
AZH13B	1.3	4.5	88	48	40	75	78	φ8	φ10	—
AZH05D	0.5	4.5	88	48	7.5	9	13.5	φ6	φ6	φ6
AZH07D	0.7	4.5	88	48	12	22	23.5	φ6	φ6	φ6
AZH10D	1.0	4.5	88	48	24	34	46	φ6	φ6	φ8
AZH13D	1.3	4.5	88	48	40	75	78	φ8	φ10	φ10
AZH15D	1.5	4.5	88	53	60	80	97	φ10	φ12	φ12
AZH18D	1.8	4.5	88	53	70	110	150	φ12	φ12	φ12
AZH20D	2.0	4.5	88	53	85	140	185	φ12	φ16	φ16

Vacuum flow(NL/min) at different vacuum levels(-kPa)

Model	Air supply pressure (bar)	Air consumption (NL/min)	Vacuum level (-kPa)										Max. vacuum level (-kPa)
			0	10	20	30	40	50	60	70	80		
AZH05S	4.5	13.5	5	4.5	4.1	3.8	3.3	2.3	1.6	0.9	0.3	88	
AZH07S	4.5	23.5	12	11	10	9	8	7	5.5	2.1	0.8	88	
AZH10S	4.5	46	24	23	20.5	17.5	13	11.5	9.5	7	2.5	88	
AZH13S	4.5	78	40	35	32.5	28	23	19.5	13	9	4.5	88	
AZH15S	4.5	97	60	52.5	45.5	38	28.5	20.5	15.5	11.5	5	88	
AZH18S	4.5	150	70	62	52	45	38	26	22	16.5	8.5	88	
AZH20S	4.5	185	85	76	67	58	47.5	38	33.5	19	12	88	

Evacuation time (s/L) to reach different vacuum levels (-kPa)

Model	Air supply pressure (bar)	Air consumption (NL/min)	Vacuum level (-kPa)								Max. vacuum level (-kPa)
			10	20	30	40	50	60	70		
AZH05S	4.5	13.5	0.89	1.7	3.2	5	7.8	12	19	88	
AZH07S	4.5	23.5	0.37	1	1.9	3	5.4	6.7	15	88	
AZH10S	4.5	46	0.25	0.6	1.25	2	2.9	4.6	7.3	88	
AZH13S	4.5	78	0.1	0.27	0.53	1	1.75	4.2	7.3	88	
AZH15S	4.5	97	0.04	0.21	0.35	0.63	1.23	4.1	6.5	88	
AZH18S	4.5	150	0.02	0.15	0.29	0.46	0.78	1.38	3.51	88	
AZH20S	4.5	185	0.02	0.12	0.21	0.34	0.55	0.85	1.58	88	



AZH Series

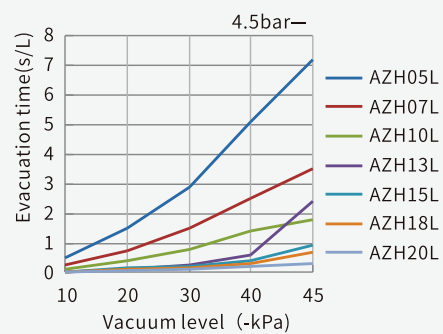
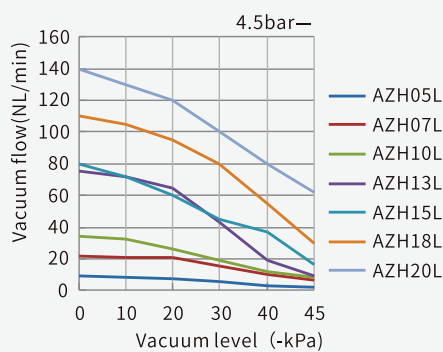
Basic Vacuum Pump

Vacuum flow (NL/min) at different vacuum levels (-kPa)

Model	Air supply pressure (bar)	Air consumption (NL/min)	0	10	20	30	40	45	Max. vacuum level (-kPa)
AZH05L	4.5	13.5	9	8	7	6	3	1.9	48
AZH07L	4.5	23.5	22	21	20.5	15.5	10.5	6.8	48
AZH10L	4.5	46	34	32	26	19	12	8	48
AZH13L	4.5	78	75	72	65	43	19	9	48
AZH15L	4.5	97	80	72	60	45	36.5	16	53
AZH18L	4.5	150	110	105	95	80	55	30	53
AZH20L	4.5	185	140	130	120	100	80	62	53

Evacuation time (s/L) to reach different vacuum levels (-kPa)

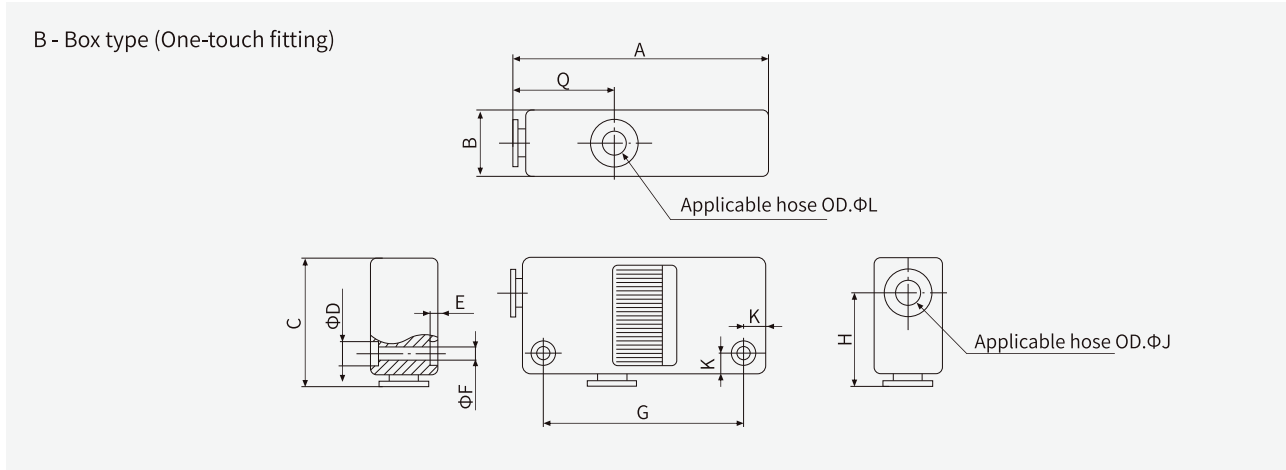
Model	Air supply pressure (bar)	Air consumption (NL/min)	10	20	30	40	45	Max. vacuum level (-kPa)
AZH05L	4.5	13.5	0.49	1.5	2.9	5.1	7.2	48
AZH07L	4.5	23.5	0.28	0.75	1.5	2.5	3.5	48
AZH10L	4.5	46	0.14	0.4	0.81	1.4	1.8	48
AZH13L	4.5	78	0.04	0.12	0.24	0.62	2.4	48
AZH15L	4.5	97	0.03	0.15	0.23	0.4	0.92	53
AZH18L	4.5	150	0.02	0.1	0.18	0.32	0.67	53
AZH20L	4.5	185	0.01	0.08	0.14	0.2	0.3	53



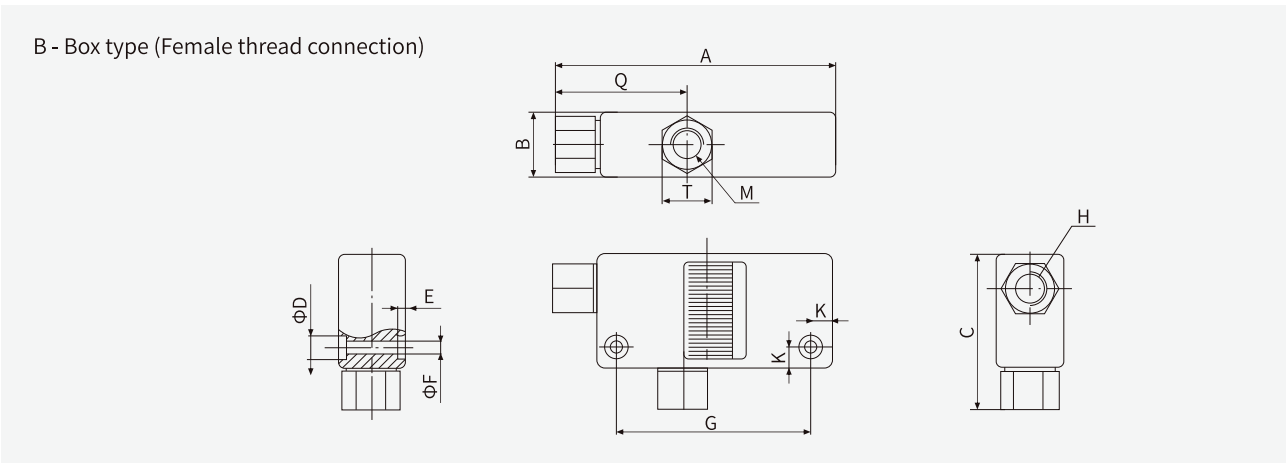
AZH Series

Basic Vacuum Pump

Dimensions (mm)



Model/Size	A	B	C	D	E	F	G	H	Q	L	K	J
AZH05B-06-06	60	16	31	5.8	2	3.2	47	22	24	6	5	6
AZH07B-06-06	60	16	31	5.8	2	3.2	47	22	24	6	5	6
AZH10B-06-06	63	18	32	5.8	2	3.2	50	23	26	6	5	6
AZH13B-08-10	78	23	38.5	7.5	3	4.2	61	27.5	28	10	7	8



◇ Note: B-Box type with internal silencer.

Model/Size	A	B	C	D	E	F	G	H	Q	M	K	J
AZH05B-01-01	68	16	39	5.8	2	3.2	47	Rc1/8	31.5	Rc1/8	5	12
AZH07B-01-01	68	16	39	5.8	2	3.2	47	Rc1/8	31.5	Rc1/8	5	12
AZH10B-01-01	71	18	40	5.8	2	3.2	50	Rc1/8	33.5	Rc1/8	5	12
AZH13B-01-02	86.5	23	50	7.5	3	4.2	61	Rc1/8	36.5	Rc1/4	7	14

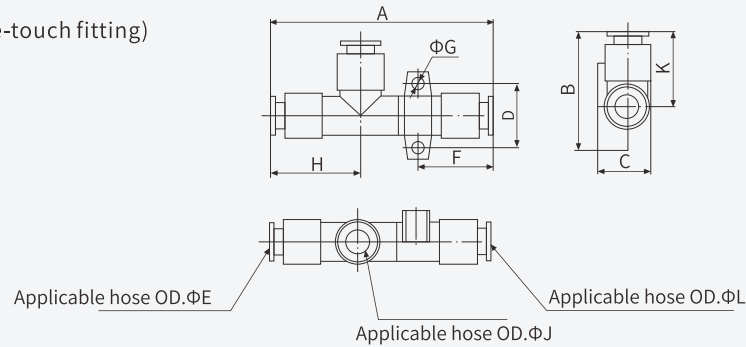
- AZK
- AGS
- AGL
- AGB
- AGP
- AGX
- AMC
- AEVC
- ALS
- AZR
- ABM/ABX
- ABM/ABX Combined type
- ASM/ASX
- ASM/ASX Combined type
- AM/AL/AH
- AM/AL/AH Combined type
- AZL
- ACP
- ACPF
- ACPS
- ACV
- AQV
- AZH**
- AZU
- ASBP

AZH Series

Basic Vacuum Pump

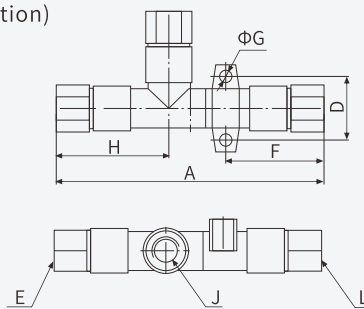
Dimensions (mm)

D-Body ported type (One-touch fitting)



Model/Size	A	B	C	D	E	F	G	H	L	K	J
AZH05D-06-06-06	58.5	34	14.2	17	6	21	3.2	24	6	22	6
AZH07D-06-06-06	61	34	14.2	17	6	22	3.2	24	6	22	6
AZH10DH-06-06-08	66	37	17.2	20	6	24.5	4.2	26	8	23	6
AZH10DL-06-06-08	70	37	17.2	20	6	24.5	4.2	26	8	23	6
AZH13DH-08-10-10	74	42.5	20	22	8	27	4.2	28	10	27.5	10
AZH13DL-08-10-10	79.5	42.5	20	22	8	27	4.2	28	10	27.5	10
AZH15D-10-12-12	93.3	47	22.5	27	10	32.8	4.2	31.5	12	29.5	12
AZH18D-12-12-12	114	41	21	10	12	50	3.5	35.5	12	30.5	12
AZH20D-12-16-16	124.6	46	27	12	12	54.3	3.5	38.5	16	32.7	16

D-Body ported type (Female thread connection)



Model/Size	A	B	C	D	E	F	G	H	L	K	J
AZH05D-01-01-01	73.5	41.5	14.2	17	Rc1/8	28.5	3.2	31.5	Rc1/8	29.5	Rc1/8
AZH07D-01-01-01	76	41.5	14.2	17	Rc1/8	29.5	3.2	31.5	Rc1/8	29.5	Rc1/8
AZH10DH-01-01-01	82	44.5	17.2	20	Rc1/8	33	4.2	33.5	Rc1/8	30.5	Rc1/8
AZH10DL-01-01-01	86	44.5	17.2	20	Rc1/8	33	4.2	33.5	Rc1/8	30.5	Rc1/8
AZH13DH-01-02-02	94.5	54	20	22	Rc1/8	38.5	4.2	36.5	Rc1/4	39	Rc1/4
AZH13DL-01-02-02	99.5	54	20	22	Rc1/8	38.5	4.2	36.5	Rc1/4	39	Rc1/4
AZH15D-02-03-03	116.5	58.5	22.5	27	Rc1/4	44.5	4.2	43	Rc3/8	41	Rc3/8
AZH18D-03-03-03	133	52.5	21	10	Rc3/8	57.5	3.5	47	Rc3/8	42	Rc3/8
AZH20D-03-04-04	151	61	27	12	Rc3/8	69.3	3.5	50	Rc1/2	47.7	Rc1/2