

AZU Series

Basic Vacuum Pump



Features

- ◇ Tube structure design, no need to install.
- ◇ Equipped with one-touch fitting, easy connection.
- ◇ Resin made housing, small volume and light weight.
- ◇ Available in high vacuum level type and large vacuum flow type.

Applications

- ◇ Suitable for occasions where vacuum is required for each station in fast operation.
- ◇ Handling of electronic components.
- ◇ Various specifications to meet different operation requirements.
- ◇ Used in separation system for plastic and metal plate processing.

How to order

AZU 05 S

① ② ③

| ① Series | ② Nozzle diameter | ③ Performance specification | Hose connection |
|----------|--|--|----------------------------|
| AZU | 05 - ϕ 0.5 mm 07 - ϕ 0.7 mm | S - High vacuum level type (-85kPa) L - Large vacuum flow type (-48kPa) | Standard, hose ϕ 6mm. |

Selection

| Model | S - High vacuum level type | L - Large vacuum flow type |
|-------|----------------------------|----------------------------|
| AZU05 | ● | ● |
| AZU07 | ● | ● |

◇Note: "●"- standard, in stock.

AZU Series

Basic Vacuum Pump

Technical parameters

| Model | Nozzle diameter (mm) | Air supply pressure (bar) | Max. vacuum level (-kPa) | Max. Vacuum flow (NL/min) | Air consumption (NL/min) | Noise level dB(A) | Weight (g) | Recommended hose dia. (mm) | |
|---------------|----------------------|---------------------------|--------------------------|---------------------------|--------------------------|-------------------|------------|----------------------------|------------|
| | | | | | | | | Air supply (P) | Vacuum (V) |
| AZU05S | 0.5 | 4.5 | 85 | 7 | 9 | 68 | 6.5 | φ6 | φ6 |
| AZU07S | 0.7 | 4.5 | 85 | 12 | 19 | 68 | 7.0 | | |
| AZU05L | 0.5 | 4.5 | 48 | 12 | 9 | 70 | 6.5 | φ6 | φ6 |
| AZU07L | 0.7 | 4.5 | 48 | 21 | 19 | 70 | 7.0 | | |

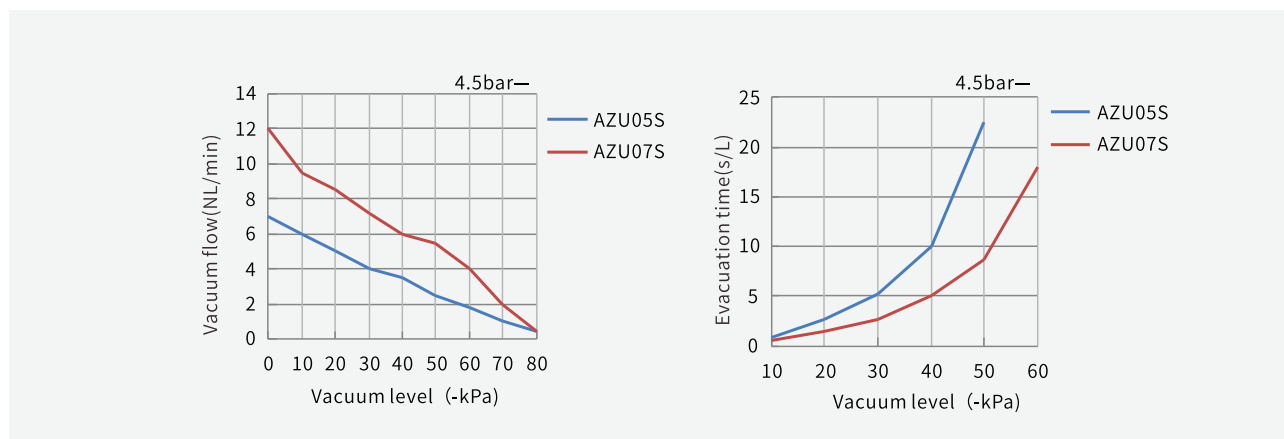
◇Note:Max. operating pressure 7 bar, standard operating pressure 4.5 bar. Fluid and ambient temperature 5-60°C.

Vacuum flow (NL/min) at different vacuum levels (-kPa)

| Model | Air supply pressure (bar) | Air consumption (NL/min) | Vacuum level (-kPa) | | | | | | | | | | Max. vacuum level (-kPa) |
|---------------|---------------------------|--------------------------|---------------------|-----|-----|-----|-----|-----|-----|----|-----|----|--------------------------|
| | | | 0 | 10 | 20 | 30 | 40 | 50 | 60 | 70 | 80 | | |
| AZU05S | 4.5 | 9 | 7 | 6 | 5 | 4 | 3.5 | 2.5 | 1.8 | 1 | 0.4 | 85 | |
| AZU07S | | 19 | 12 | 9.5 | 8.5 | 7.2 | 6 | 5.5 | 4 | 2 | 0.4 | | |

Evacuation time (s/L) to reach different vacuum levels (-kPa)

| Model | Air supply pressure (bar) | Air consumption (NL/min) | Vacuum level (-kPa) | | | | | | Max. vacuum level (-kPa) |
|---------------|---------------------------|--------------------------|---------------------|-----|-----|----|------|----|--------------------------|
| | | | 10 | 20 | 30 | 40 | 50 | 60 | |
| AZU05S | 4.5 | 9 | 0.9 | 2.6 | 5.2 | 10 | 22.5 | - | 85 |
| AZU07S | | 19 | 0.53 | 1.4 | 2.7 | 5 | 8.7 | 18 | |



Vacuum flow(NL/min) at different vacuum levels (-kPa)

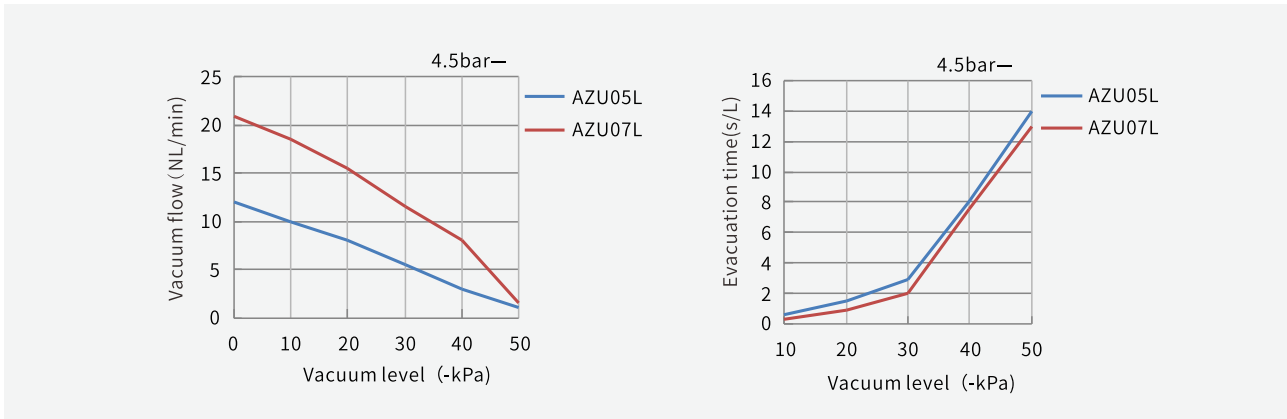
| Model | Air supply pressure (bar) | Air consumption (NL/min) | Vacuum level (-kPa) | | | | | | Max. vacuum level (-kPa) |
|---------------|---------------------------|--------------------------|---------------------|------|------|------|----|-----|--------------------------|
| | | | 0 | 10 | 20 | 30 | 40 | 48 | |
| AZU05L | 4.5 | 9 | 12 | 10 | 8 | 5.5 | 3 | 1 | 48 |
| AZU07L | | 19 | 21 | 18.5 | 15.5 | 11.5 | 8 | 1.5 | |

AZU Series

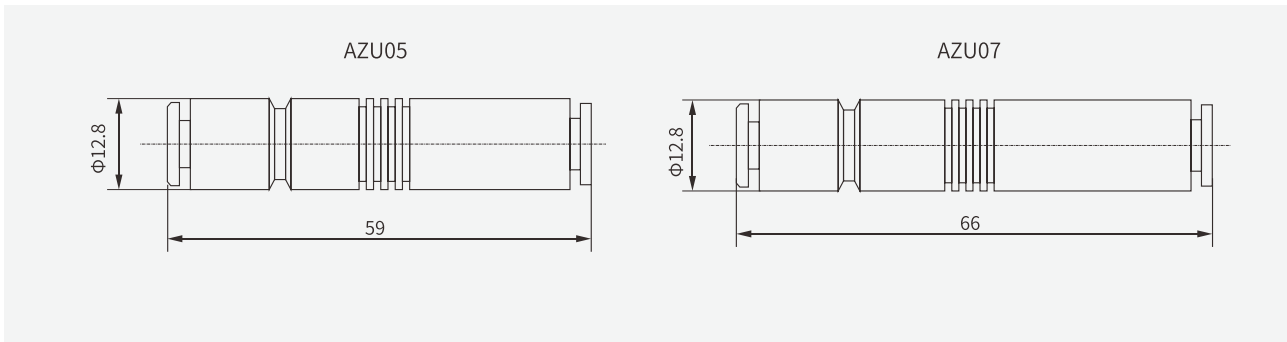
Basic Vacuum Pump

Evacuation time (s/L) to reach different vacuum levels (-kPa)

| Model | Air supply pressure (bar) | Air consumption (NL/min) | 10 | 20 | 30 | 40 | 45 | Max. vacuum level (-kPa) |
|--------|---------------------------|--------------------------|------|-----|-----|-----|----|--------------------------|
| AZU05L | 4.5 | 9 | 0.6 | 1.5 | 2.9 | 8 | 14 | 48 |
| AZU07L | | 19 | 0.34 | 0.9 | 2 | 7.5 | 13 | |



Dimensions (mm)



Structural diagram

