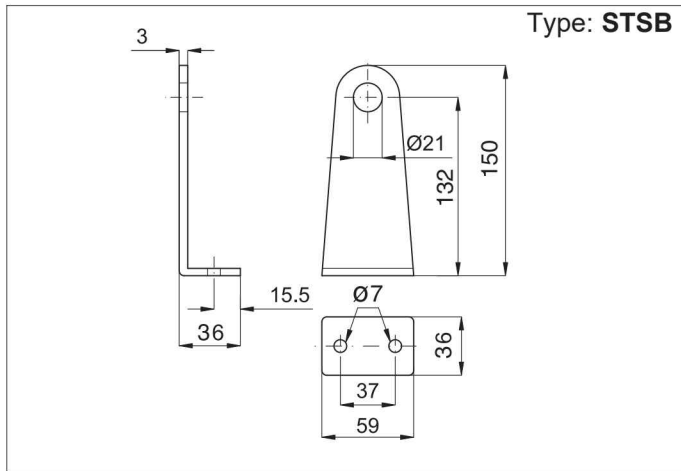


**Air-reservoirs  
Accessories**

| Version                             | Symbol | Type |
|-------------------------------------|--------|------|
| Mounting bracket                    |        | STSB |
| Bracket/tank connection fitting     |        | PRSB |
| Semi-automatic condense drain valve |        | VCSB |

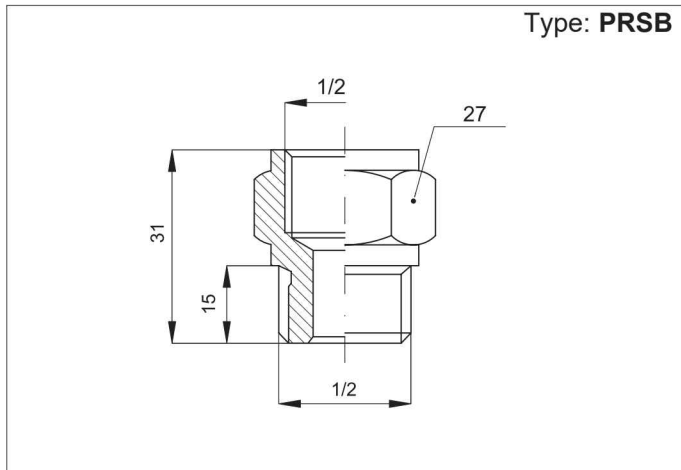


Series of accessories for the mounting (bracket and fitting) and the use (condense drain valve) of the reservoirs.



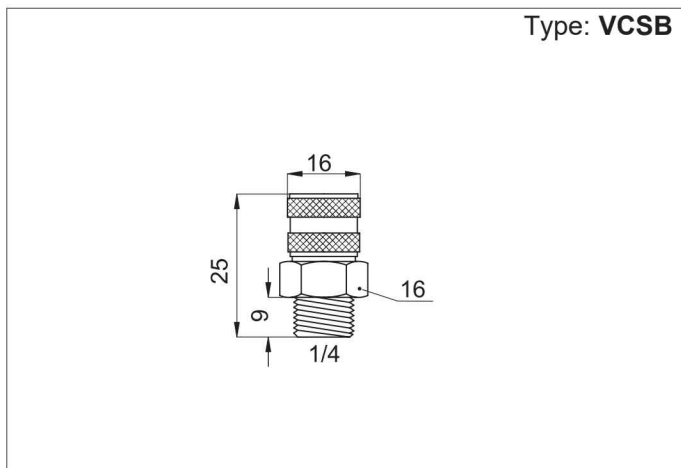
| Code   | Item |
|--------|------|
| 050601 | STSB |

Material: Zinc plated steel



| Code   | Item |
|--------|------|
| 050603 | PRSB |

Material: Nickel plated brass



| Code   | Item |
|--------|------|
| 050602 | VCSB |

Material: Acetal resin

