

Active carbon filter | BGO



Image shows:
91330.CC00

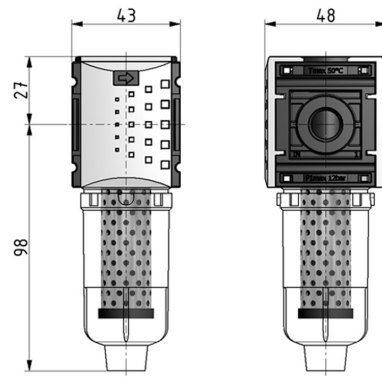
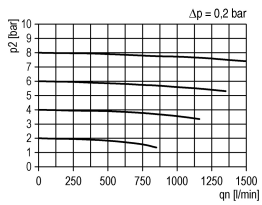
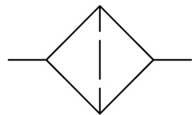


Image shows:
91330.CC00

flow characteristic



symbol



technical data

- **description:** active carbon filter
- **medium:** compressed air, neutral gases
- **supply pressure P1 min.:** 0 bar
- **supply pressure P1 max.:** 12 bar
- **temperature range:** 0 - 50°C
- **bowl:** PC
- **mounting:** vertical

accessories



- **mounting bracket:**
[KBW.0-1225](#)



- **coupling kit wall mounting:**
[KKOP.0W](#)

type	part-number	description
KAFI-014	91330.CC00	Activated carbon filter G1/4 with PC bowl
KAFI-014 M	91330.CC50	Activated carbon filter G1/4 with metal bowl

Active carbon filter | BG1



Image shows:
91331.CC00

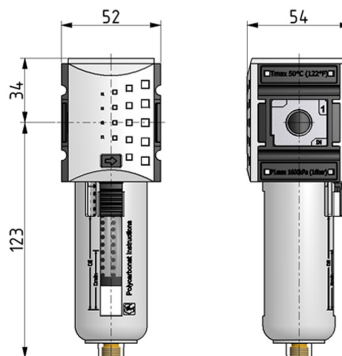
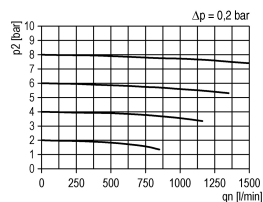
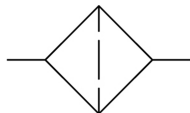


Image shows:
91331.CC00

flow characteristic



symbol



technical data

- **description:** active carbon filter
- **medium:** compressed air, neutral gases
- **supply pressure P1 min.:** 0 bar
- **supply pressure P1 max.:** 16 bar
- **temperature range:** 0 - 50°C
- **bowl:** PC with PA bowl guard
- **mounting:** vertical

accessories



- **mounting bracket:**
[KBW.1-1225](#)



- **coupling kit wall mounting:**
[KKOP.1W](#)

type	part-number	description
KAFI-114	91331.CC00	Activated carbon filter G1/4 with PC bowl and bowl guard
KAFI-114 H	91331.CC50	Activated carbon filter G1/4 with metal bowl
KAFI-138	91331.DD00	Activated carbon filter G3/8 with PC bowl and bowl guard
KAFI-138 H	91331.DD50	Activated carbon filter G3/8 with metal bowl

Service 3 unit

Service 2 unit

Filter regulator

Filter

Pressure regulator

Lubricator

System extensions

Accessories

Special products

Active carbon filter | BG2



Image shows:
91332.DD00

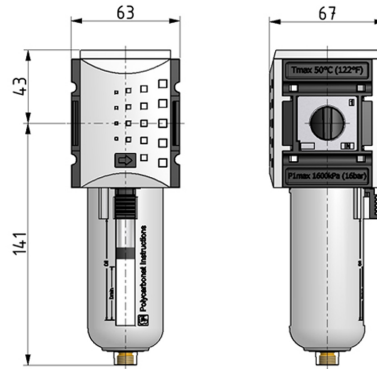
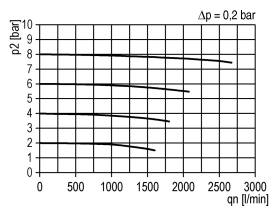
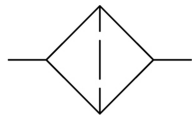


Image shows:
91332.DD00

flow characteristic



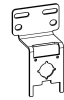
symbol



technical data

- **description:** active carbon filter
- **medium:** compressed air, neutral gases
- **supply pressure P1 min.:** 0 bar
- **supply pressure P1 max.:** 16 bar
- **temperature range:** 0 - 50°C
- **bowl:** PC with PA bowl guard
- **mounting:** vertical

accessories



- **mounting bracket:**
[KBW.2-1225](#)



- **coupling kit wall mounting:**
[KKOP.2W](#)

type	part-number	description
KAFI-238	91332.DD00	Activated carbon filter G3/8 with PC bowl and bowl guard
KAFI-238 H	91332.DD50	Activated carbon filter G3/8 with metal bowl
KAFI-212	91332.EE00	Activated carbon filter G1/2 with PC bowl and bowl guard
KAFI-212 H	91332.EE50	Activated carbon filter G1/2 with metal bowl

Active carbon filter | BG4



Image shows:
91334.FF00

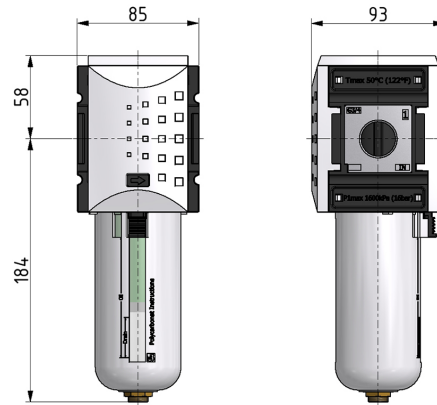
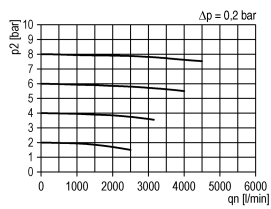
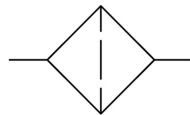


Image shows:
91334.FF00

flow characteristic



symbol



technical data

- **description:** active carbon filter
- **medium:** compressed air, neutral gases
- **supply pressure P1 min.:** 0 bar
- **supply pressure P1 max.:** 16 bar
- **temperature range:** 0 - 50°C
- **bowl:** PC with PA bowl guard
- **mounting:** vertical

accessories



- **mounting bracket:**
[KBW.4-1225](#)



- **coupling kit wall mounting:**
[KKOP.4W](#)

type	part-number	description
KAFI-434	91334.FF00	Activated carbon filter G3/4 with PC bowl and bowl guard
KAFI-434 H	91334.FF50	Activated carbon filter G3/4 with metal bowl
KAFI-41	91334.GG00	Activated carbon filter G1 with PC bowl and bowl guard
KAFI-41 H	91334.GG50	Activated carbon filter G1 with metal bowl

Service 3 unit

Service 2 unit

Filter regulator

Filter

Pressure regulator

Lubricator

System extensions

Accessories

Special products