

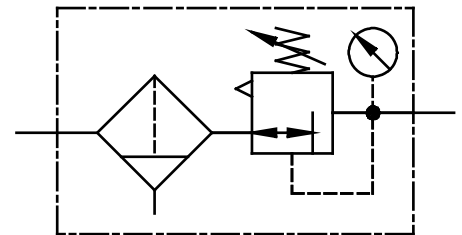
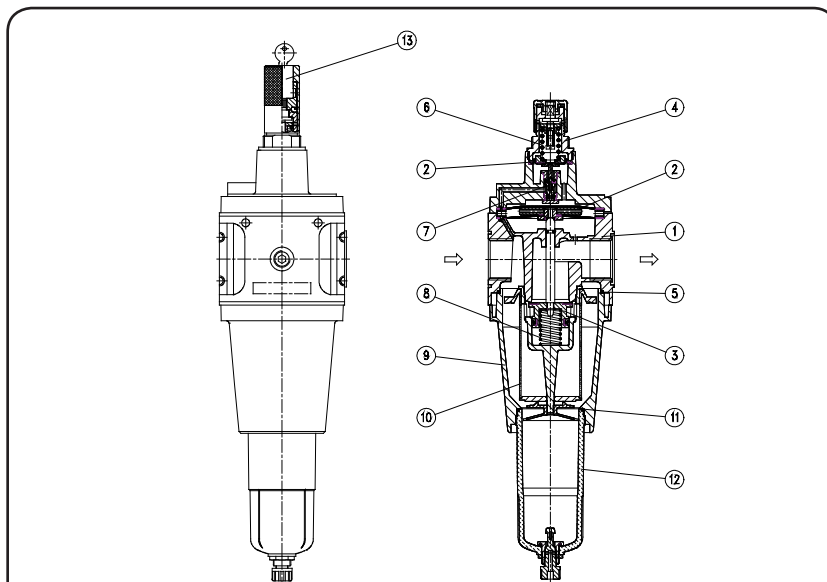
Filter-regulator

MULTI-FIX SERIE

type	C.54	C.55	
item			
port size	G3/4	G 1	
description	air line regulator with diaphragm and relieving feature, pilot controlled, centrifugal force principle with sintered filter		
mounting	vertically, drain plug at bottom		
media	compressed air, neutral gases		
supply pressure	Pe max. 16 bar Pe min. 1,5 bar with semi- and auto drain		
reduced pressure	Pa 0,5-10 bar standard, 0,1-3 bar, 0,2-6 bar, 0,5-16 bar		
filter element	40 µm standard, 8 µm (absolutely)		
air consumption	0,5 l/min (max.)		
media and ambient temperature	max. 60°C (other temperature ranges available upon request)		
bowl volume	max. 125 cm ³ condensation volume		
drain model	manuell drain standard		
fixing	install in pipe line, bracket		
weight	2,150 kg. (2,050 kg without gauge) 2,260 kg lockable		



technical modifications keep in reserve!



replacement parts

(repair kit: ESA-C.55)

no	description	material	order-no.
1	body	Al	---
2	diaphragm	NBR - Ms - Al	
3	valve cone	Ms-NBR	
4	spring cage C.00-72	POM - Ms	8.2100.72.000
5	O-ring 80 x 2,5	NBR	
6	regulating spring 0-10 bar	St - galvanized	5.2111.83.000
7	valve cone	Ms - NBR	
8	spring C.55-22	stainless steel	5.2155.22.000
9	distance	Al	---
10	filter element 40µm C.55-28	Cellpor	5.2155.28.000
11	O-ring 50 x 2	NBR	1.2133.23.000
12	bowl C.33 man	polycarbonate	8.2133.76.000
13	lock cylinder C.33-52	Ms	5.2133.52.000

application information

- easy block assembly for components to be connected in series
- interlocking of several individual devices requires coupling kit(s) KP.55
- interlocking of several individual devices with narrow distributor Z.5- or ball valve K.55 requires coupling kit(s) KP.55 Z
- adjusting knob can be locked by depressing
- filter transmittance according to ISO 4003, glass bead test
- field installation of bowl guard without tools

Almotion B.V. Nijverheidsweg 14 | 6662 NG Elst (Gld) | The Netherlands t +31 (0)85 0491 777 e info@almotion.nl

www.almotion.nl | www.linearmotion.nl | www.lineairegeleiding.nl

series 5

ordering information

C. ** * *

type reduced pressure

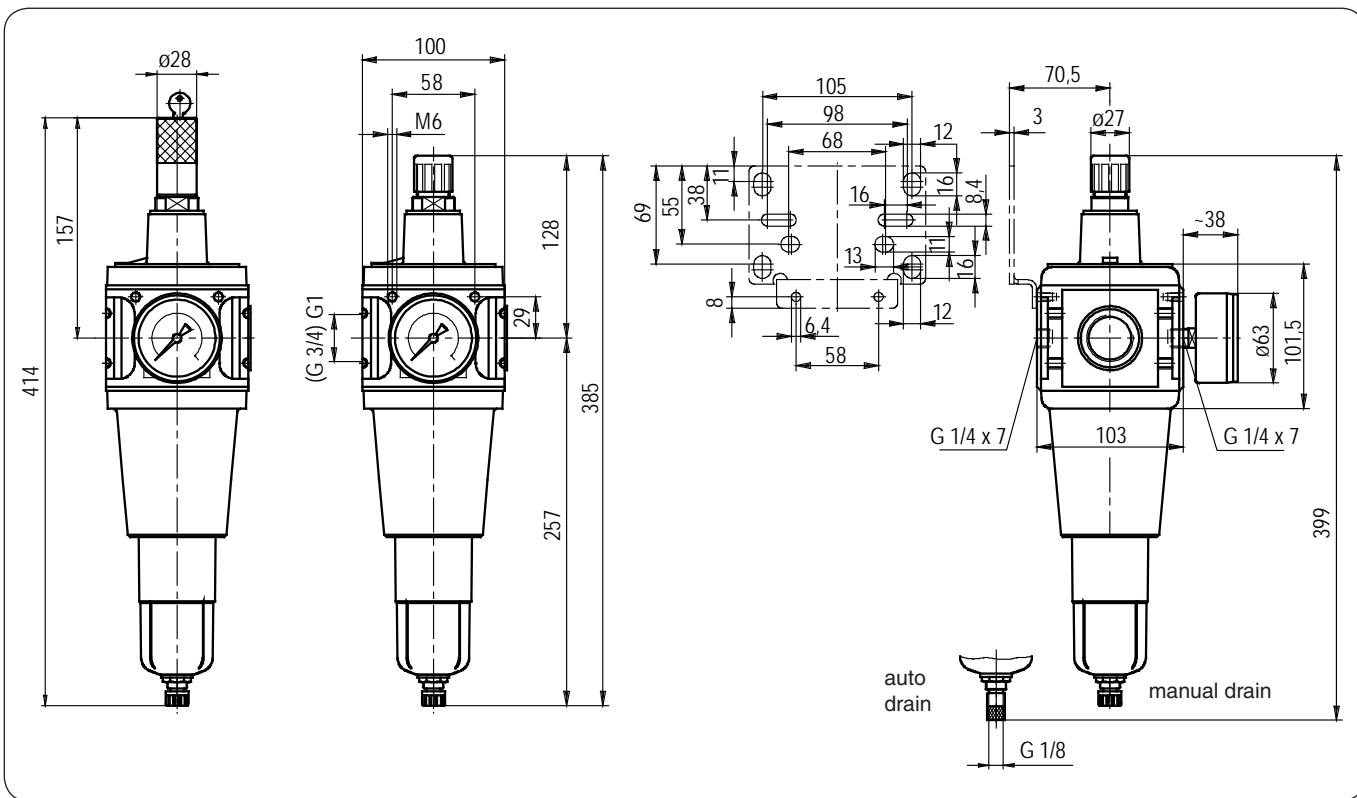
1 port size 2 option

ordering example: C.55 G B AM 0,1-3

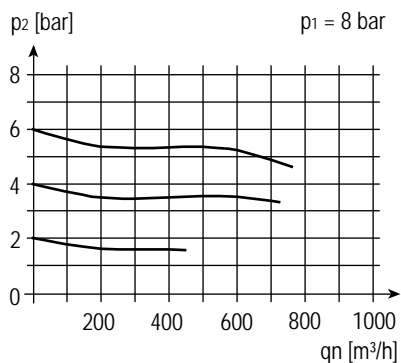
port size	
1	54 G 3/4
	55 G 1
options	
2	G gauge ø63
	K keylock
	B bowl guard
	H metal bowl with sight glass
	HA semi drain
	AM auto drain

page: C.55 (08/08)

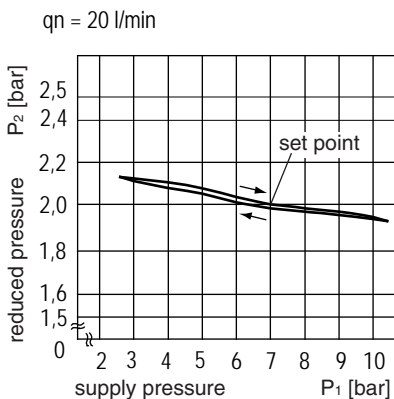
dimensions (mm)



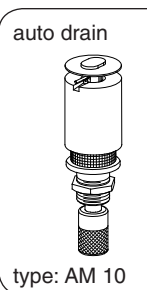
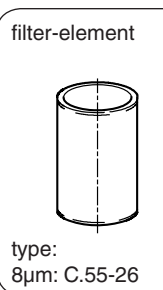
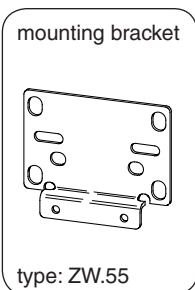
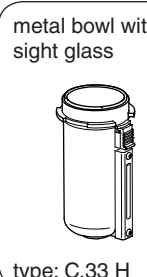
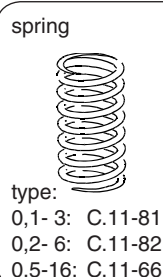
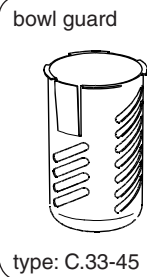
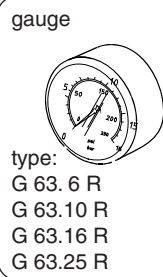
flow characteristics



pressure characteristics



accessories



technical modifications keep in reserve!