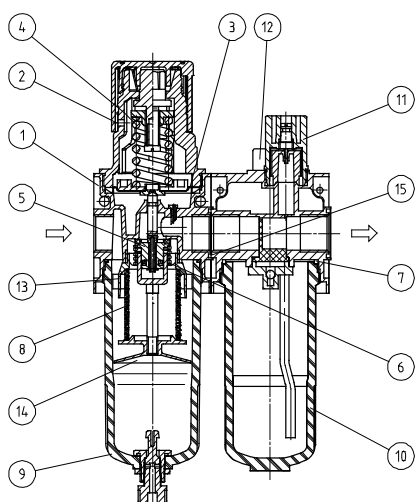


Service unit 2 part assemblies

MULTI-FIX SERIES

type	CL.33	CL.34	
item			
port size	G 1/2	G 3/4	
description	air line regulator with diaphragm and relieving feature, centrifugal force principle with sintered filter, propor. oiler		
mounting	vertically, drain plug at bottom		
media	compressed air, neutral gases		
supply pressure	Pe max. 16 bar, (Pe max. 12 bar with auto drain) Pe min. 1,5 bar with auto drain		
reduced pressure	Pa 0,5-10 bar standard, 0,1-3 bar, 0,2-6 bar, 0,5-16 bar		
filter element	5 µm standard (absolutely)		
media and ambient	max. 60°C		
temperature	(other temperature ranges available upon request)		
bowl volume	max. 50 cm ³ contensation volume, 125 cm ³ oil bowl		
drain model	manual drain standard		
oil dosage rage when qv = 1000 l/min	1-2 drops/min (determining factor)		
kind of oil	CL 32 standardized to DIN 51517 - ISO VG 32		
fixing	panel mounting, bracket or through 2 holes in the body		
weight	1,726 kg		



replacement parts

↗ (repair kit: ESA-R/C.33)

no	description	material	order-no.
1	body	Z 410	---
2	spring cage C.33-77	POM - Ms	8.2133.77.000
3	diaphragm assembly	NBR - Ms	
4	reg. spring 0-10 bar C.33-8	St. - galvanized	5.2133.08.000
5	valve cone	NBR - Ms	
6	spring C.33-22	stainless steel	5.2133.22.000
7	O-ring 50 x 2	NBR	
8	filter element 5 µm C.33-62	cellpor	5.2133.62.000
9	bowl C.33 man	polycarbonate	8.2133.76.000
10	oil bowl L.33	polycarbonate	8.2533.09.000
11	dome assembly L.33	PA	9.9933.00.006
12	oil filler screw L.33-8	POM - NBR	7.2533.08.000
13	twist plate C.33-25	POM	3.2133.25.000
14	baffle plate C.33-31	PA	3.2133.31.000
15	connecting kit KP33	Z 410 - St - NBR	9.9933.00.000

application information

- adjusting knob can be locked by depressing
- filter transmittance according to ISO 4003, glass bead test
- oil fill in is possible under pressure
- field installation of bowl guard without tools

series 3

ordering information

CL. ** * *
 type reduced pressure
 1 port size 2 option

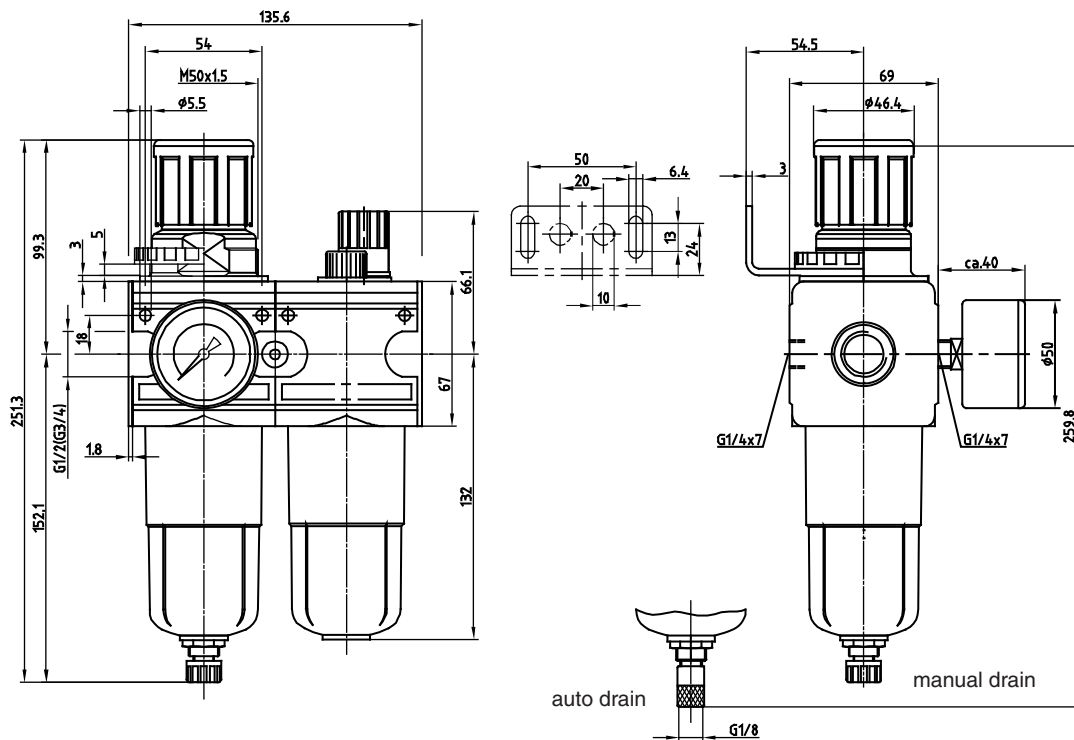
ordering example: CL.33 S K AM N 0,1-3

port size	
1	33 G 1/2
	34 G 3/4
options	
2	G gauge ø50
	S panel mounting
	K keylock
	B bowl guard
	H metal bowl with sight glass
	HA semi drain
	AM auto drain
N electrical level control	

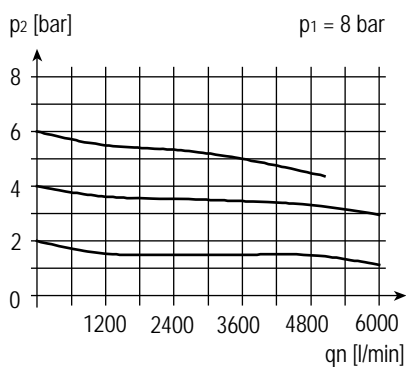
technical modifications keep in reserve!

page: CL.33 (08/08)

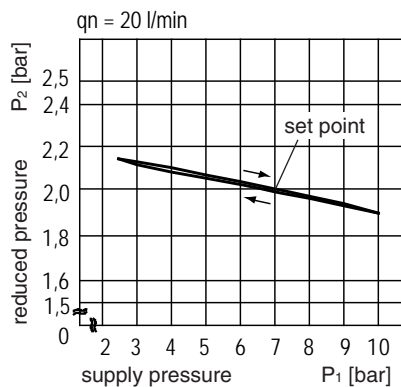
dimensions (mm)



flow characteristics



pressure characteristic



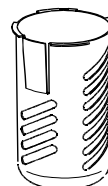
accessories

gauge



type:
G 50.6 R
G 50.10 R
G 50.16 R
G 50.25 R

bowl guard



type: C.33-45

panel mounting ring M 50 x 1,5



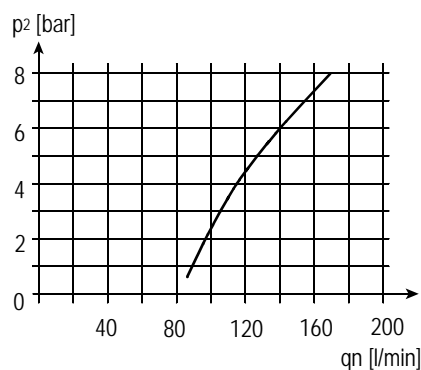
type: C.33-42

metal bowl with sight glass



type: C.33 H
L.33 H

lubricator operating limit



mounting bracket



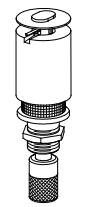
type: ZW.33
type: MW.50

spring



type:
0,1- 3: C.33- 6
0,2- 6: C.33- 7
0,5-16: C.33-66

auto drain



type: AM 10