

STR - - -.6200

Schwerlast-Tigerrolle
Axialrolle mit 40 %
höherer Tragfähigkeit.
 Diese Tigerrolle ist lebensdauergeschmiert.

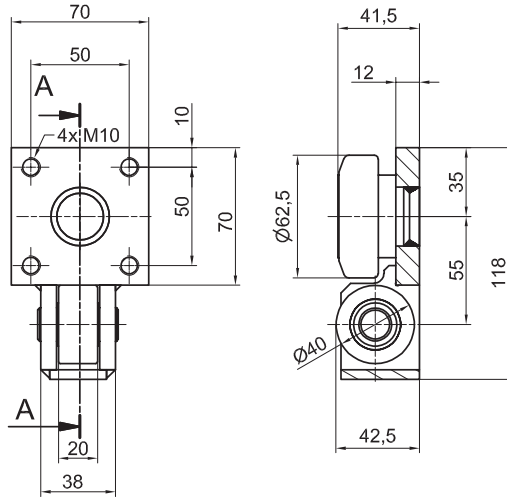
Heavy duty Tiger bearing axial bearing with 40 % higher load capacity.

This Tiger bearing is lubricated for lifetime.

Sonderabmessungen auf Anfrage.

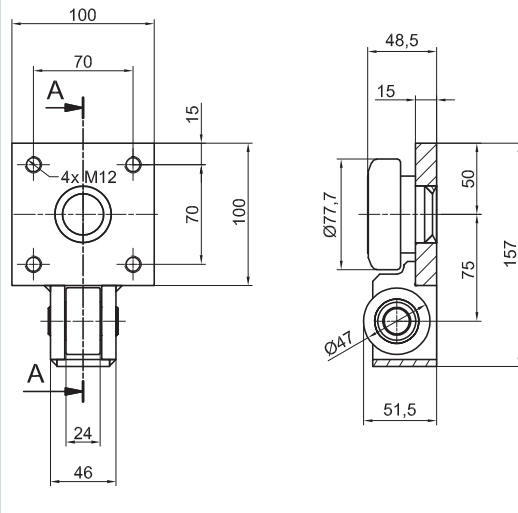
Special dimensions on request.

Rolle / Roller
STR 060.6200



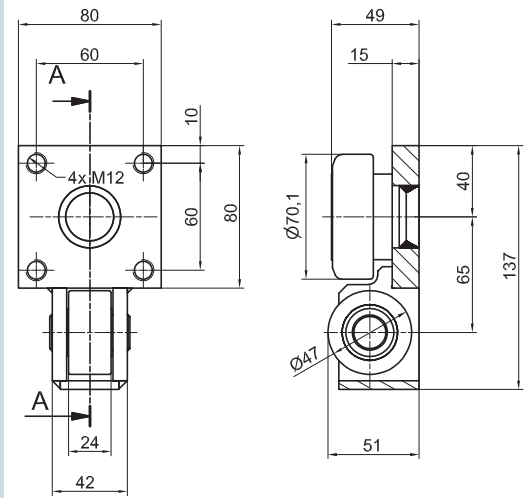
Traglast axial $F_A = 7$ kN
 Traglast radial $F_R = 8,87$ kN
 Load capacity axial $F_A = 7$ kN
 Load capacity radial $F_R = 8,87$ kN

Rolle / Roller
STR 080.6200



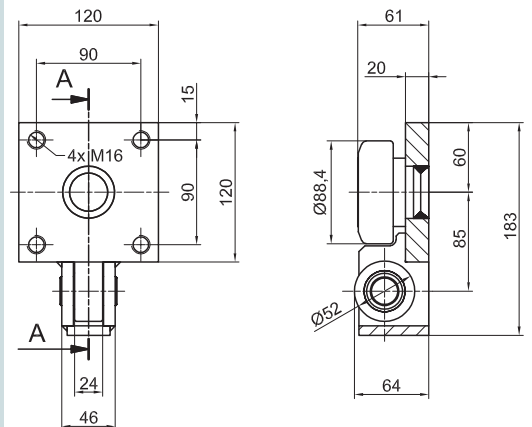
Traglast axial $F_A = 11$ kN
 Traglast radial $F_R = 12,87$ kN
 Load capacity axial $F_A = 11$ kN
 Load capacity radial $F_R = 12,87$ kN

Rolle / Roller
STR 070.6200



Traglast axial $F_A = 11$ kN
 Traglast radial $F_R = 11,4$ kN
 Load capacity axial $F_A = 11$ kN
 Load capacity radial $F_R = 11,4$ kN

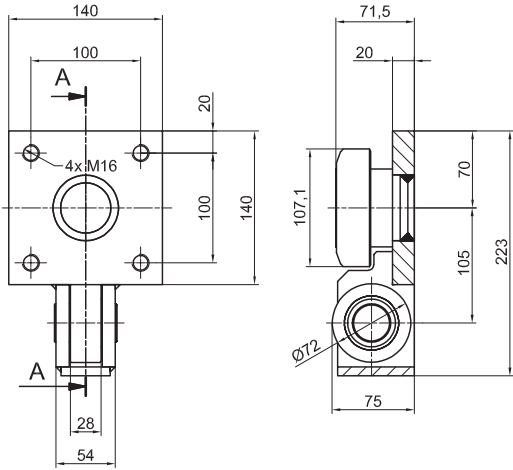
Rolle / Roller
STR 090.6200



Traglast axial $F_A = 13$ kN
 Traglast radial $F_R = 20,37$ kN
 Load capacity axial $F_A = 13$ kN
 Load capacity radial $F_R = 20,37$ kN

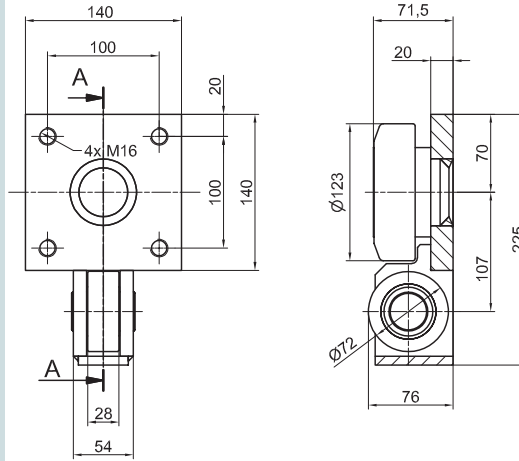
SCHWERLAST-TIGERROLLE / HEAVY DUTY TIGER BEARING

Rolle / Roller
STR 110.6200



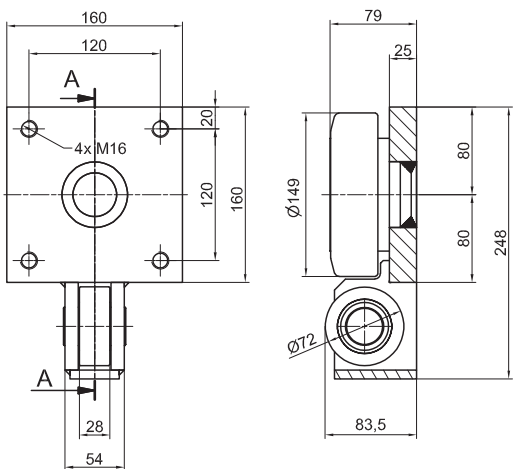
Traglast axial $F_A = 20$ kN
 Traglast radial $F_R = 24,06$ kN
 Load capacity axial $F_A = 20$ kN
 Load capacity radial $F_R = 24,06$ kN

Rolle / Roller
STR 120.6200

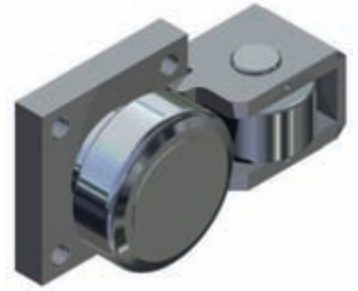


Traglast axial $F_A = 20$ kN
 Traglast radial $F_R = 33,44$ kN
 Load capacity axial $F_A = 20$ kN
 Load capacity radial $F_R = 33,44$ kN

Rolle / Roller
STR 150.6200



Traglast axial $F_A = 20$ kN
 Traglast radial $F_R = 51,94$ kN
 Load capacity axial $F_A = 20$ kN
 Load capacity radial $F_R = 51,94$ kN



STR - - -.6200

Schwerlast-Tigerrolle
Axialrolle mit 40 %
höherer Tragfähigkeit.
 Diese Tigerrolle ist lebensdauergeschmiert.

Heavy duty Tiger bearing axial bearing with 40 % higher load capacity.
 This Tiger bearing is lubricated for lifetime.

Sonderabmessungen auf Anfrage.

Special dimensions on request.

SCHWERLAST / HEAVY DUTY

Bestellbeispiel / Order example:

Tigerrolle
STR 080.6200

(Schwerlast-Tigerrolle STR 080.6200).