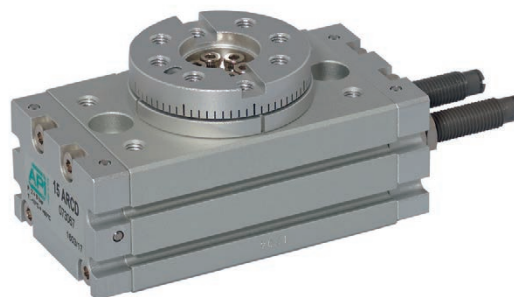


| Standard executions |                   |       |
|---------------------|-------------------|-------|
| Version             | Code              | Item  |
| Bore 10 mm (x2)     | 075581            | 10ARC |
| Bore 12 mm (x2)     | 075582            | 12ARC |
| Bore 15 mm (x2)     | 073063            | 15ARC |
| Bore 18 mm (x2)     | 073064            | 18ARC |
| Bore 20 mm (x2)     | 073065            | 20ARC |
| Bore 25 mm (x2)     | 073066            | 25ARC |
| Bore 28 mm (x2)     | 075583            | 28ARC |
| Bore 32 mm (x2)     | 075584 <i>New</i> | 32ARC |
| Bore 40 mm (x2)     | 075585 <i>New</i> | 40ARC |
| Bore 50 mm (x2)     | 075586 <i>New</i> | 50ARC |
| Bore 63 mm (x2)     | 075587 <i>New</i> | 63ARC |



| Options                        | Suffix |
|--------------------------------|--------|
| With hydraulic shock absorbers | D      |

How to choose the shock absorber

| Rotary actuator | Cushioning capability max (kgf.m) |
|-----------------|-----------------------------------|
| 15ARC           | 3                                 |
| 18ARC           | 6                                 |
| 20ARC           | 6                                 |
| 25ARC           | 20                                |
| 28ARC           | 59                                |
| 32ARC           | 59                                |
| 40ARC           | 147                               |
| 50ARC           | 147                               |
| 63ARC           | 147                               |

Series of rotary actuators with double rack with rotation angles 90°-180° and adjustment angle from 0°÷90°.

They are standard magnetic provided with grooves on the body allowing the direct mounting of the magnetic reed switches. The mechanical stoppers are standard; the hydraulic shock absorbers can be supplied on request.

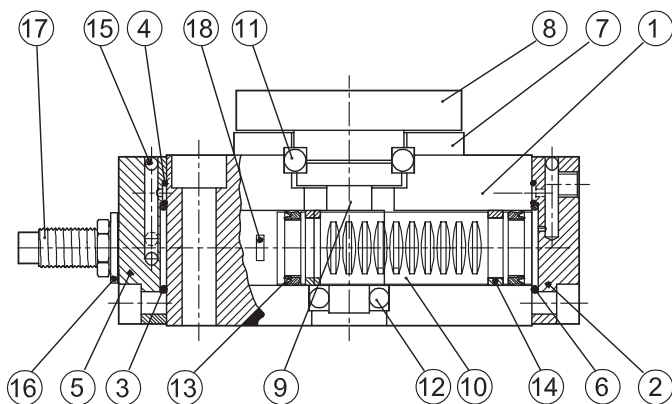
For the magnetic reed switches type ASC see from page 1.110.1

How to order: 20ARCD

| 20   | ARC  | D      |
|------|------|--------|
| Bore | Item | Option |

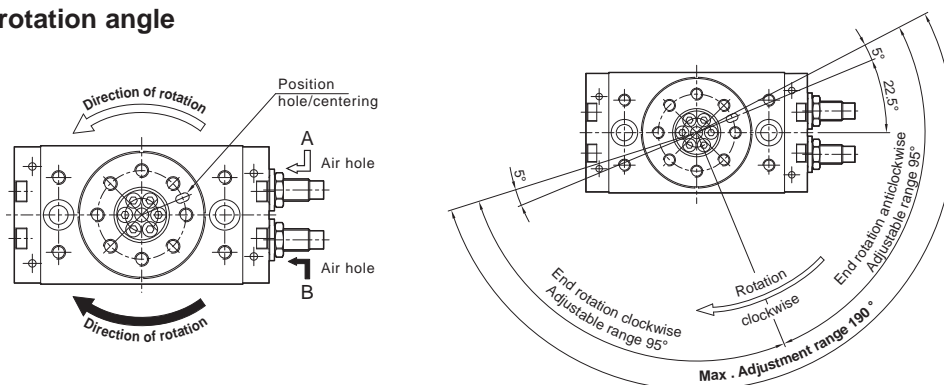
| Technical data                 |                                                                                                  |      |      |      |      |      |      |      |      |      |       |
|--------------------------------|--------------------------------------------------------------------------------------------------|------|------|------|------|------|------|------|------|------|-------|
| Type                           | 10                                                                                               | 12   | 15   | 18   | 20   | 25   | 28   | 32   | 40   | 50   | 63    |
| Bore                           | Ø 10                                                                                             | Ø 12 | Ø 15 | Ø 18 | Ø 20 | Ø 25 | Ø 28 | Ø 32 | Ø 40 | Ø 50 | Ø 63  |
| Fluid                          | Compressed filtered air with or without lubrication. Lubrication, if started, must be continued. |      |      |      |      |      |      |      |      |      |       |
| Pressure range                 | 1,5 ÷ 7 bar                                                                                      |      |      |      |      |      |      |      |      |      |       |
| Temperature range              | 0° C ÷ + 50° C                                                                                   |      |      |      |      |      |      |      |      |      |       |
| Rotation angle                 | 180°                                                                                             |      |      |      |      |      |      |      |      |      |       |
| Adjustment angle               | 0° ÷ 190°                                                                                        |      |      |      |      |      |      |      |      |      |       |
| Rotation moments (Nm) at 6 bar | 0,3                                                                                              | 0,6  | 1,5  | 2,2  | 3,2  | 5,5  | 7,5  | 9,8  | 19   | 31   | 45    |
| Ports                          | M3                                                                                               |      | M5   |      |      | 1/8" |      |      |      |      |       |
| Weight (g)                     | 150                                                                                              | 250  | 530  | 990  | 1290 | 2100 | 2890 | 4100 | 7650 | 8960 | 11170 |

**Materials**

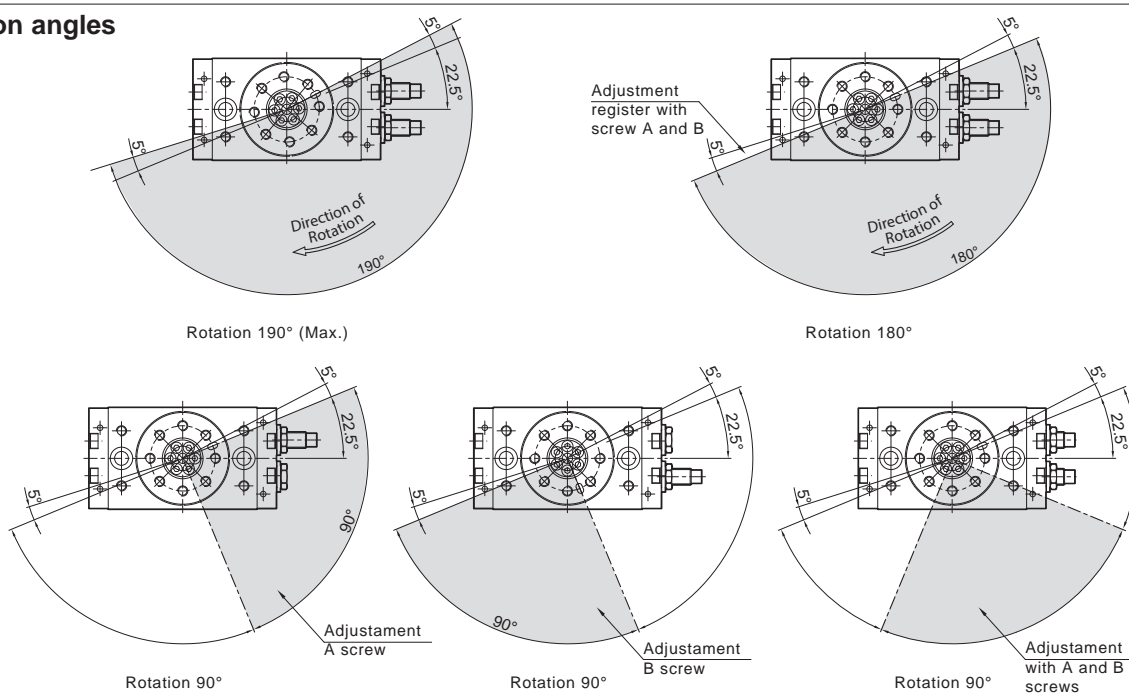


| N. | Component          | Material           |
|----|--------------------|--------------------|
| 1  | Body               | Anodised aluminium |
| 2  | Front head         | Anodised aluminium |
| 3  | O-Ring             | NBR                |
| 4  | O-Ring             | NBR                |
| 5  | Rear head          | Anodised aluminium |
| 6  | O-Ring             | NBR                |
| 7  | Bearings cover     | Anodised aluminium |
| 8  | Rotating plate     | Anodised aluminium |
| 9  | Piston rod         | Hardned steel      |
| 10 | Rack               | Stainless steel    |
| 11 | Spherical bearing  | Steel              |
| 12 | Spherical bearing  | Steel              |
| 13 | Piston seal        | NBR                |
| 14 | Washer             | Plastic material   |
| 15 | Ball               | Steel alloy        |
| 16 | Limit switch seal  | NBR                |
| 17 | Mechanical stopper | Steel alloy        |
| 18 | Magnet             | Metal              |

**Direction and rotation angle**

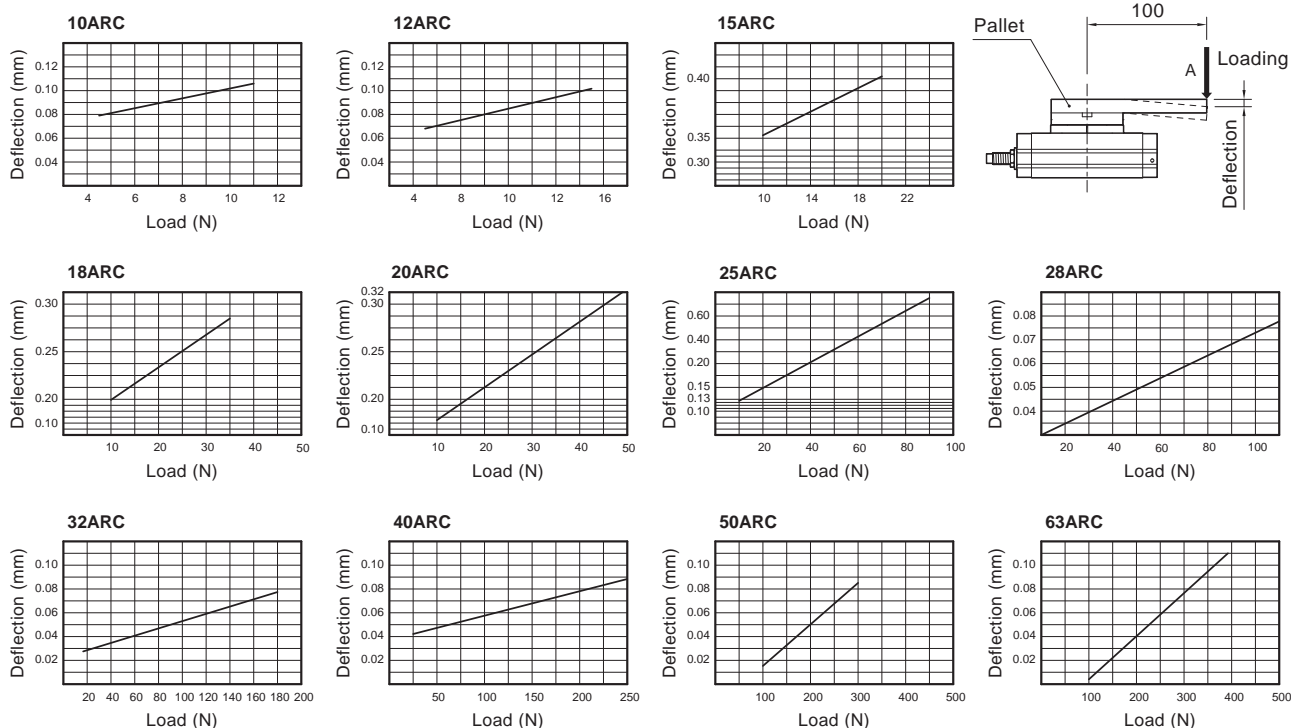


**Rotation angles**

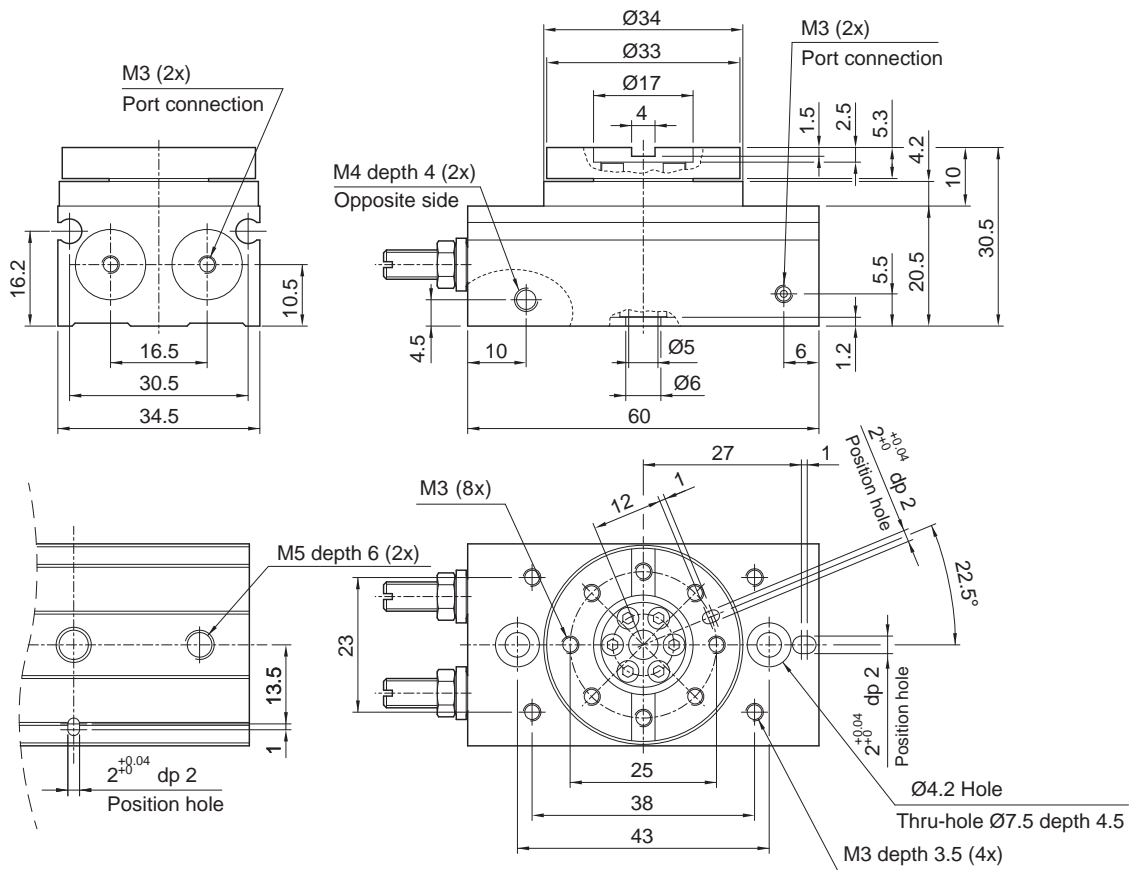


| Possible loads |               |      |          |         |     |
|----------------|---------------|------|----------|---------|-----|
| Type           | Kind of loads |      |          |         |     |
|                |               |      | Side (N) | Top (N) |     |
| Load           |               |      | (a)      | (b)     |     |
| 10ARC          |               | 33   | 48       | 48      | 1,1 |
| 12ARC          |               | 54   | 71       | 71      | 1,5 |
| 15ARC          |               | 70   | 78       | 74      | 2   |
| 18ARC          |               | 140  | 130      | 130     | 3,5 |
| 20ARC          |               | 185  | 188      | 358     | 4,8 |
| 25ARC          |               | 300  | 285      | 442     | 9   |
| 28ARC          |               | 333  | 296      | 476     | 12  |
| 32ARC          |               | 390  | 493      | 706     | 18  |
| 40ARC          |               | 543  | 740      | 1009    | 25  |
| 50ARC          |               | 850  | 950      | 1500    | 30  |
| 63ARC          |               | 1200 | 1400     | 2100    | 38  |

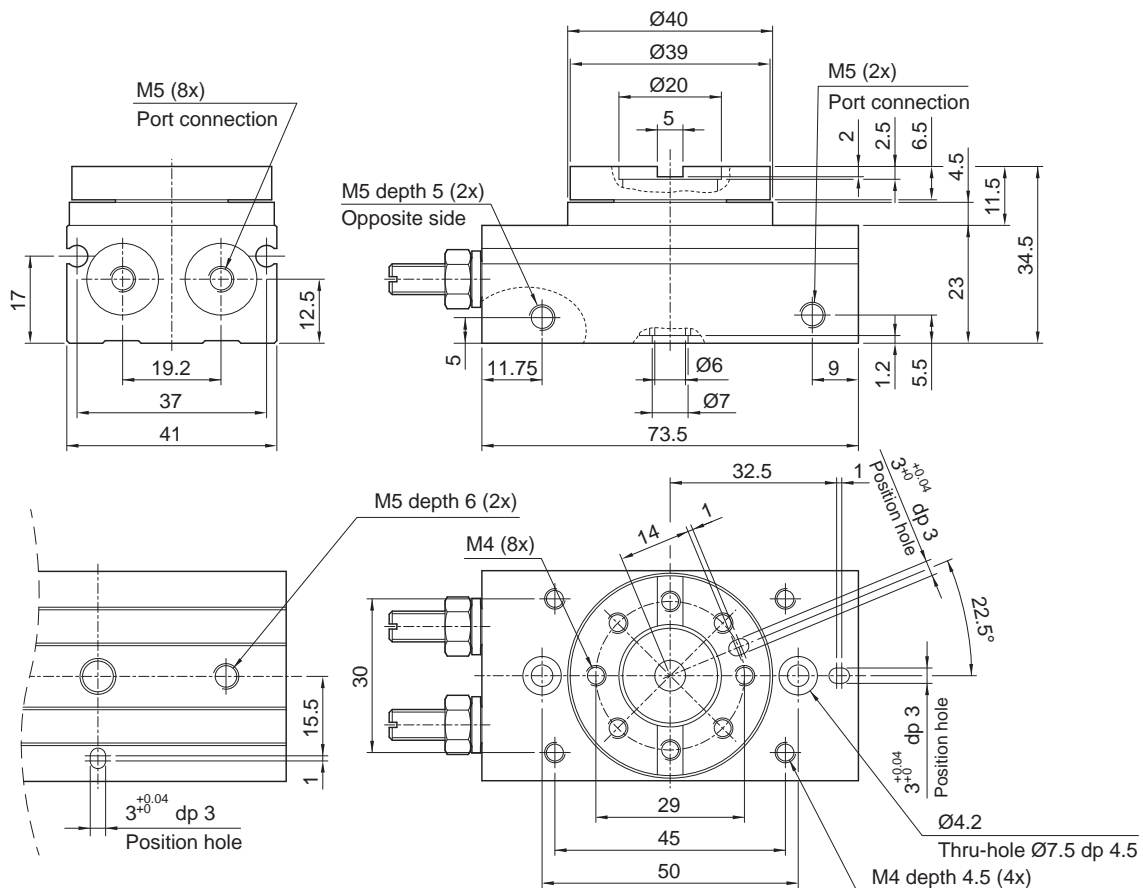
**Transverse load and Deflection**



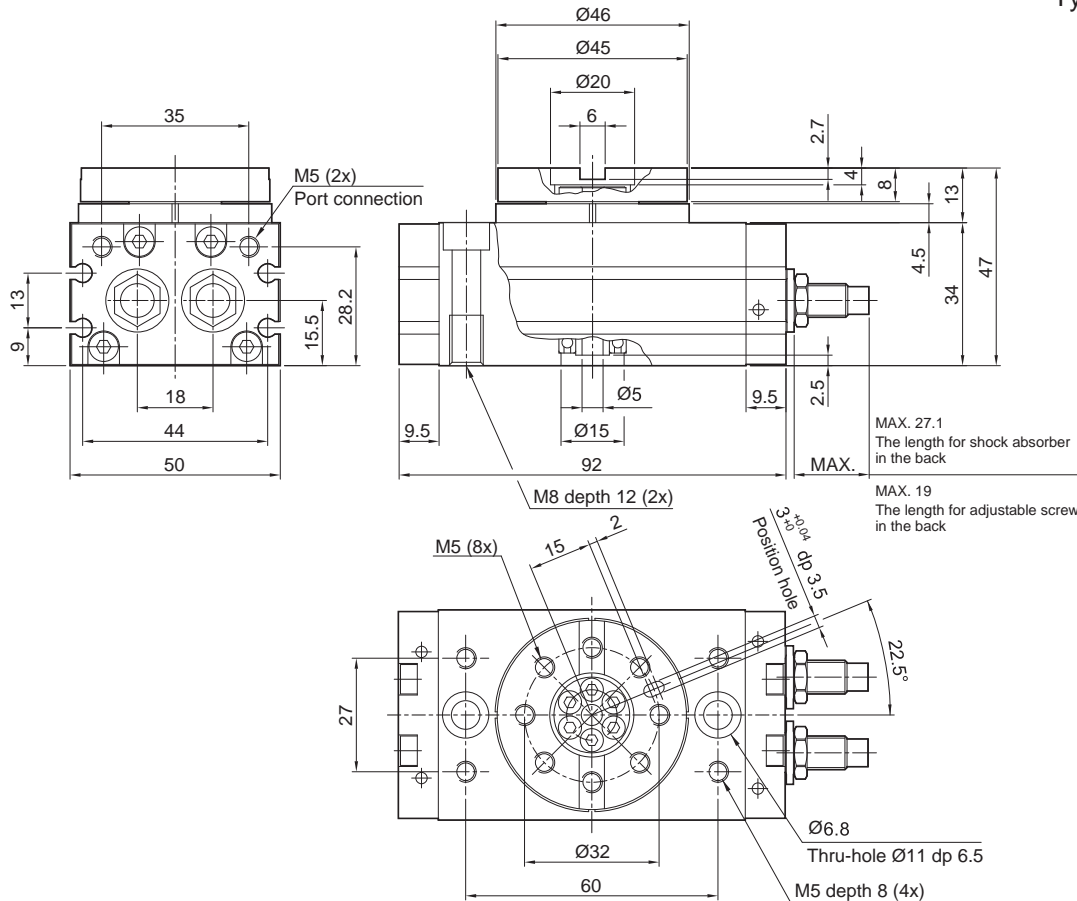
Type: **10ARC**



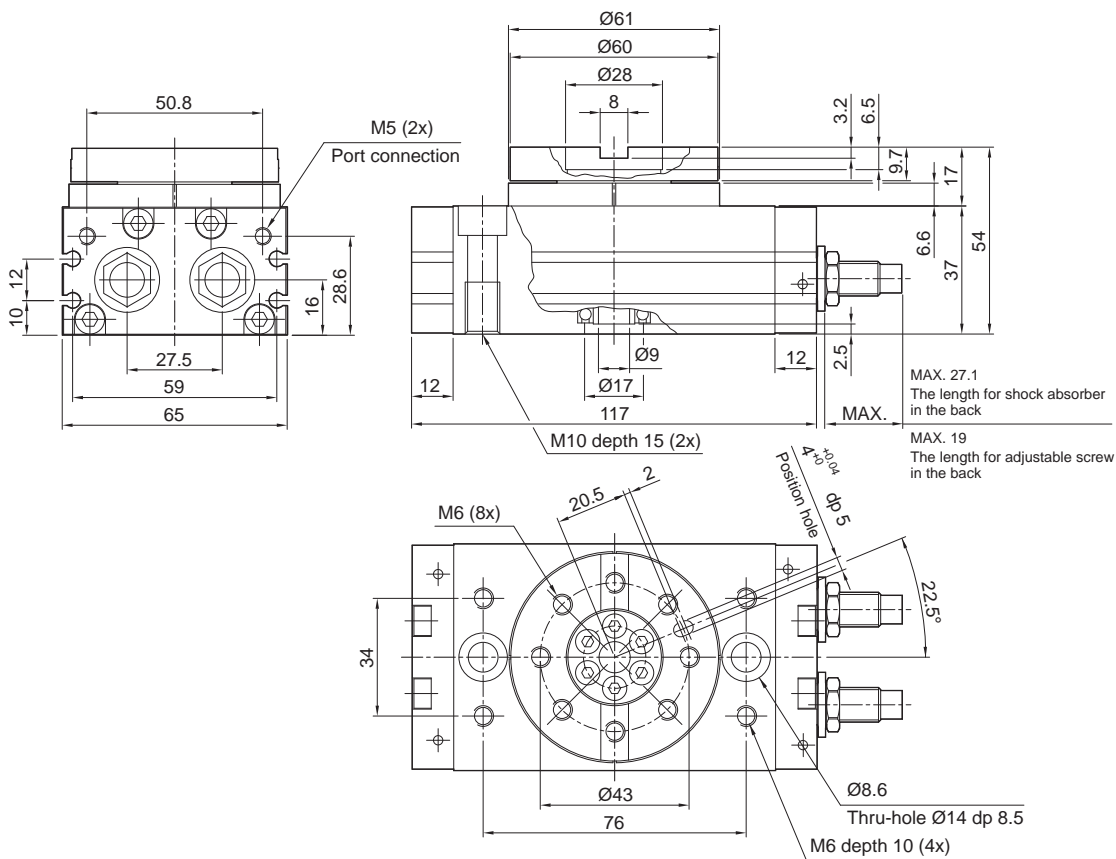
Type: **12ARC**



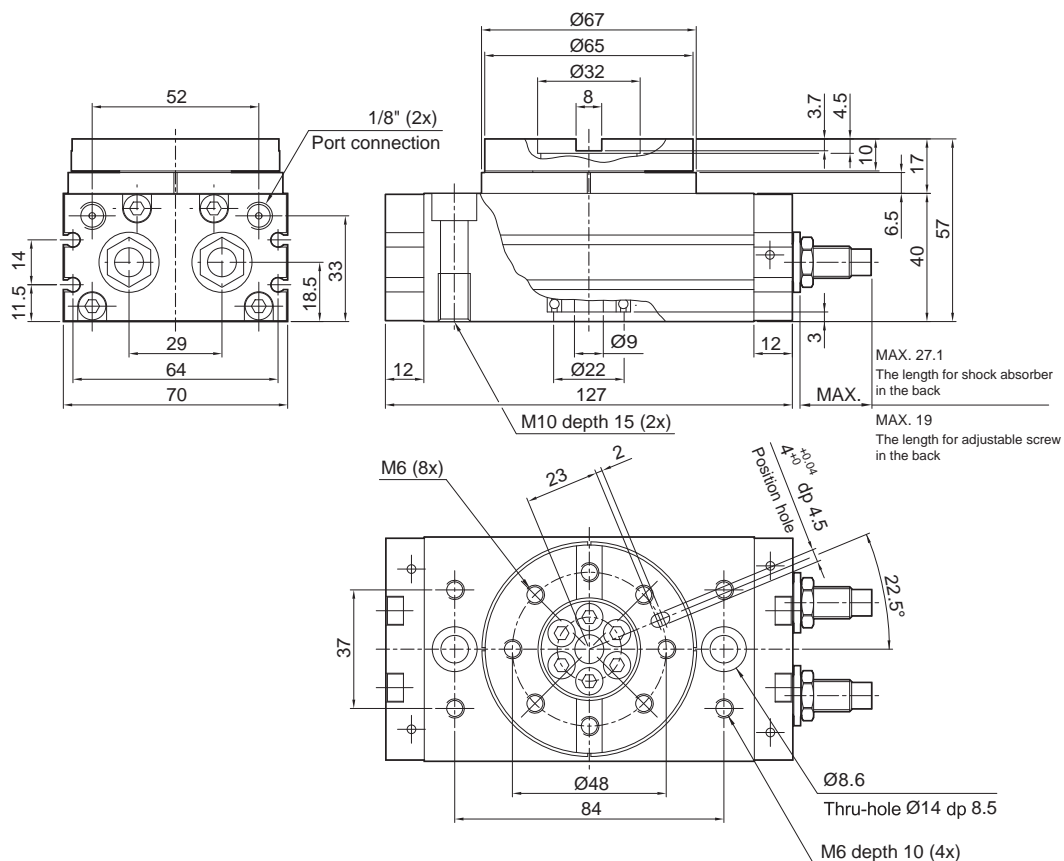
Type: 15ARC



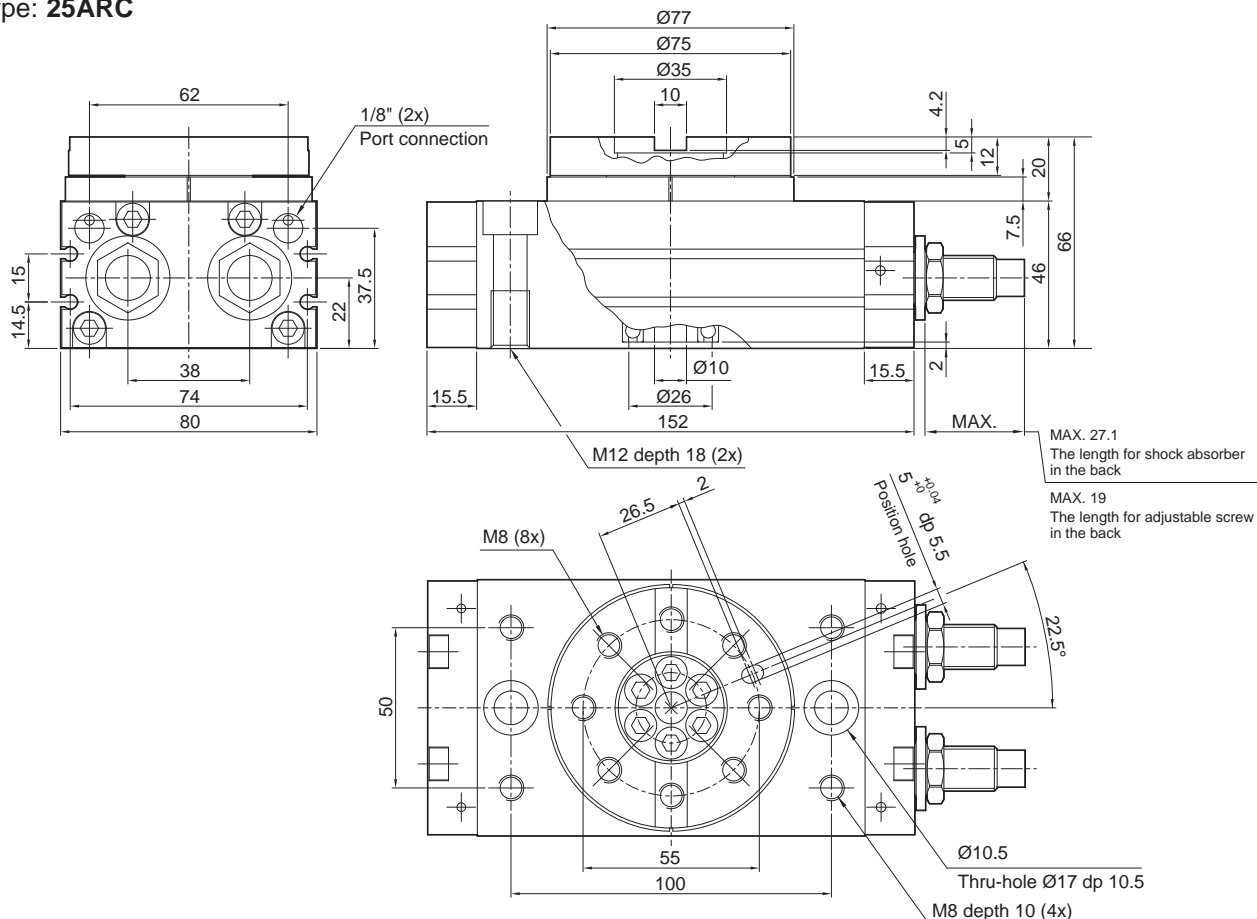
Type: 18ARC

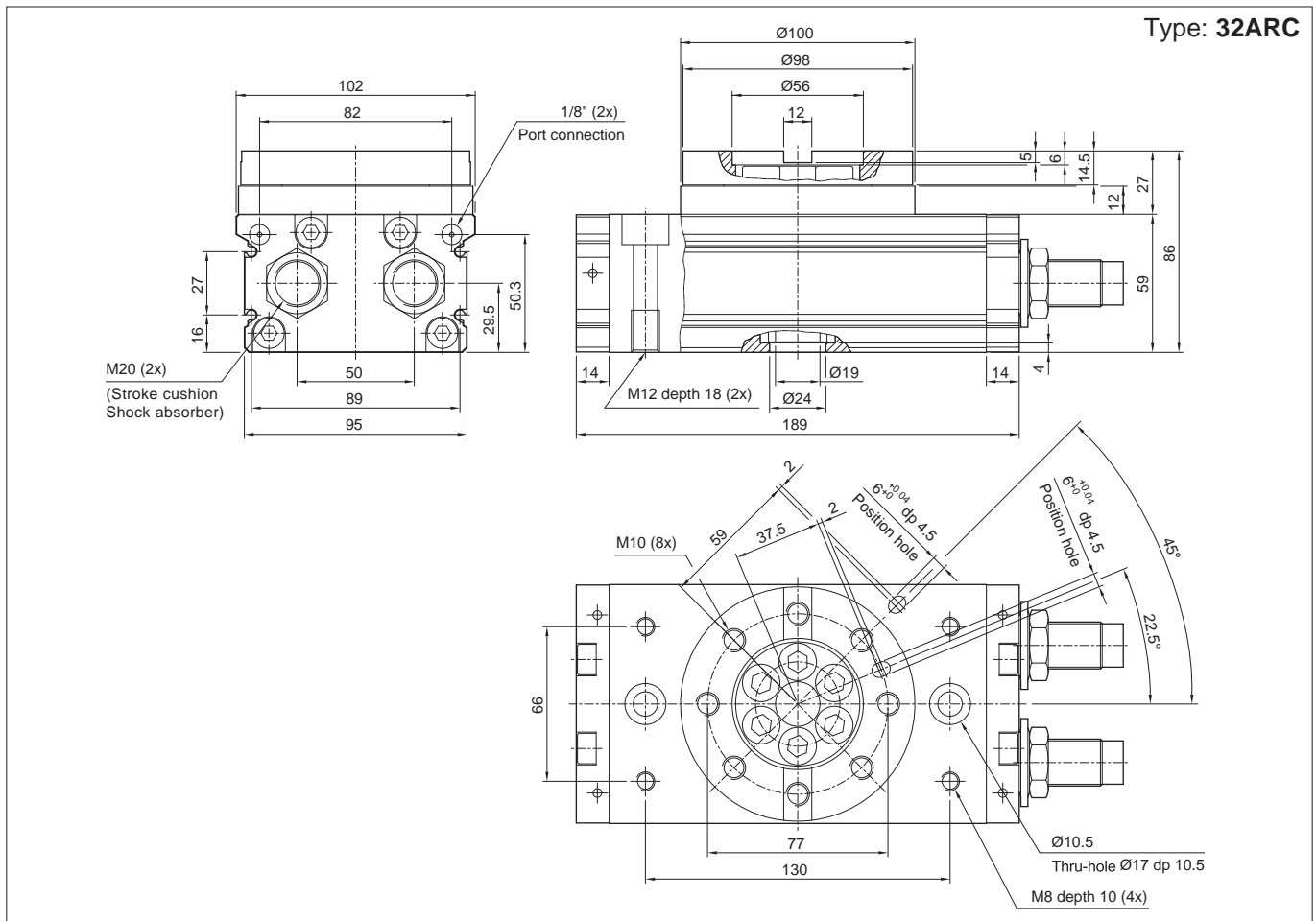
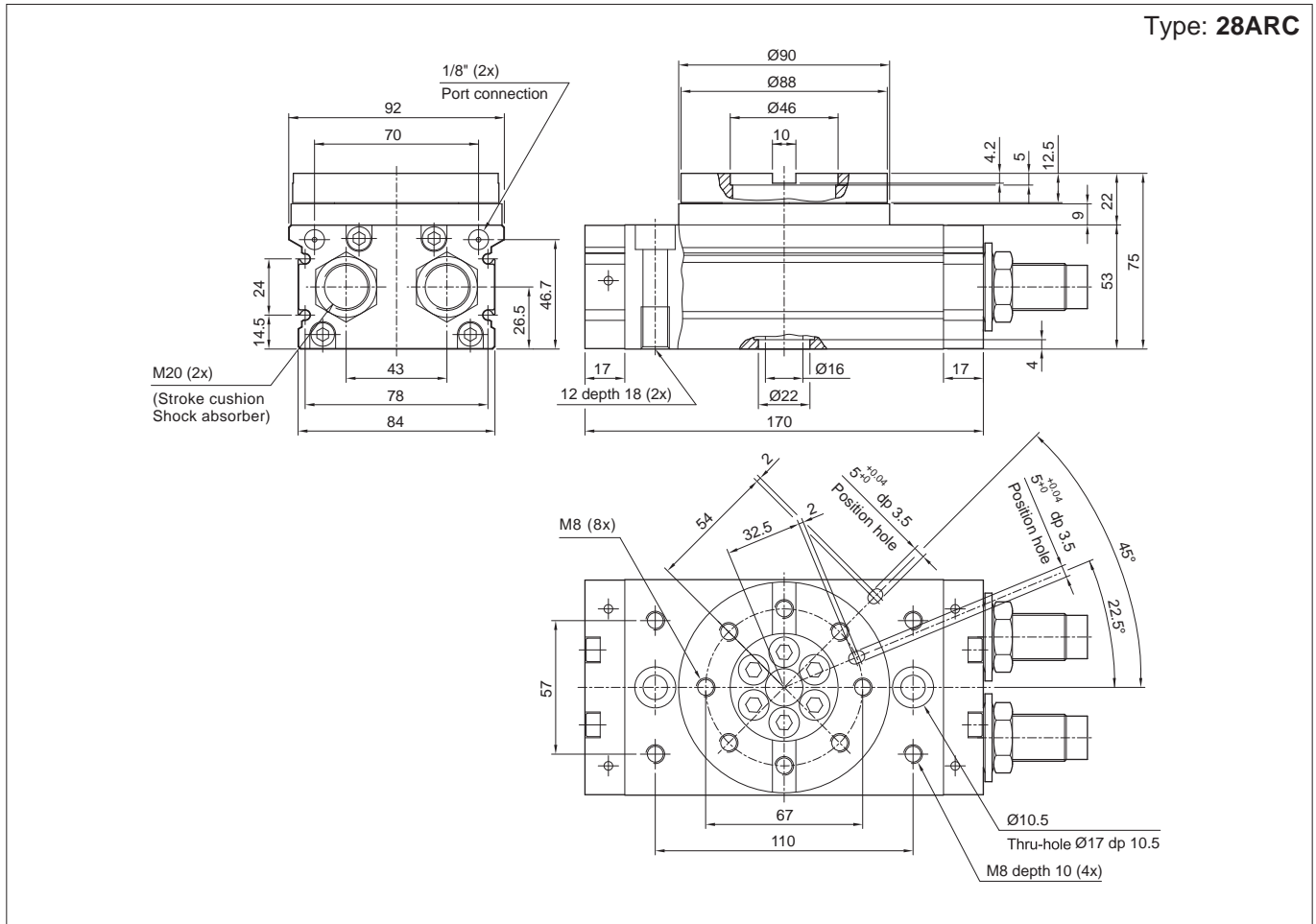


Type: **20ARC**

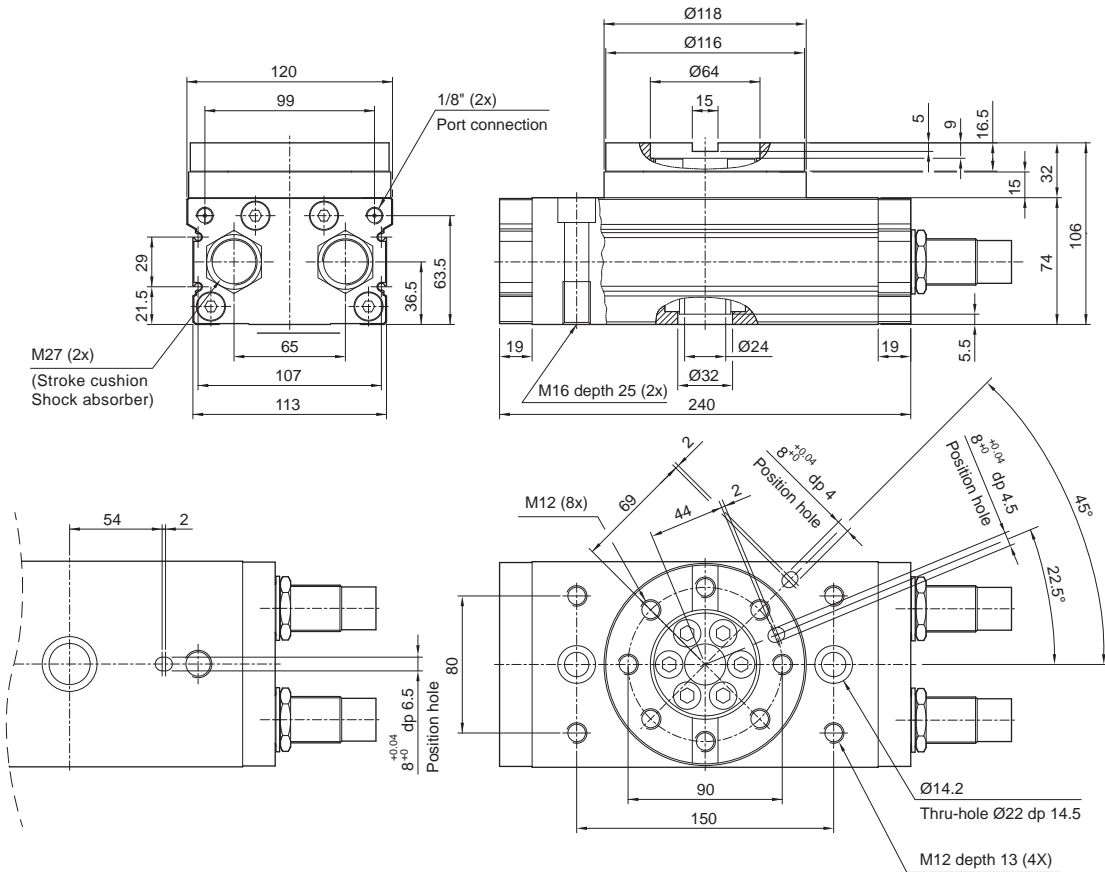


Type: **25ARC**

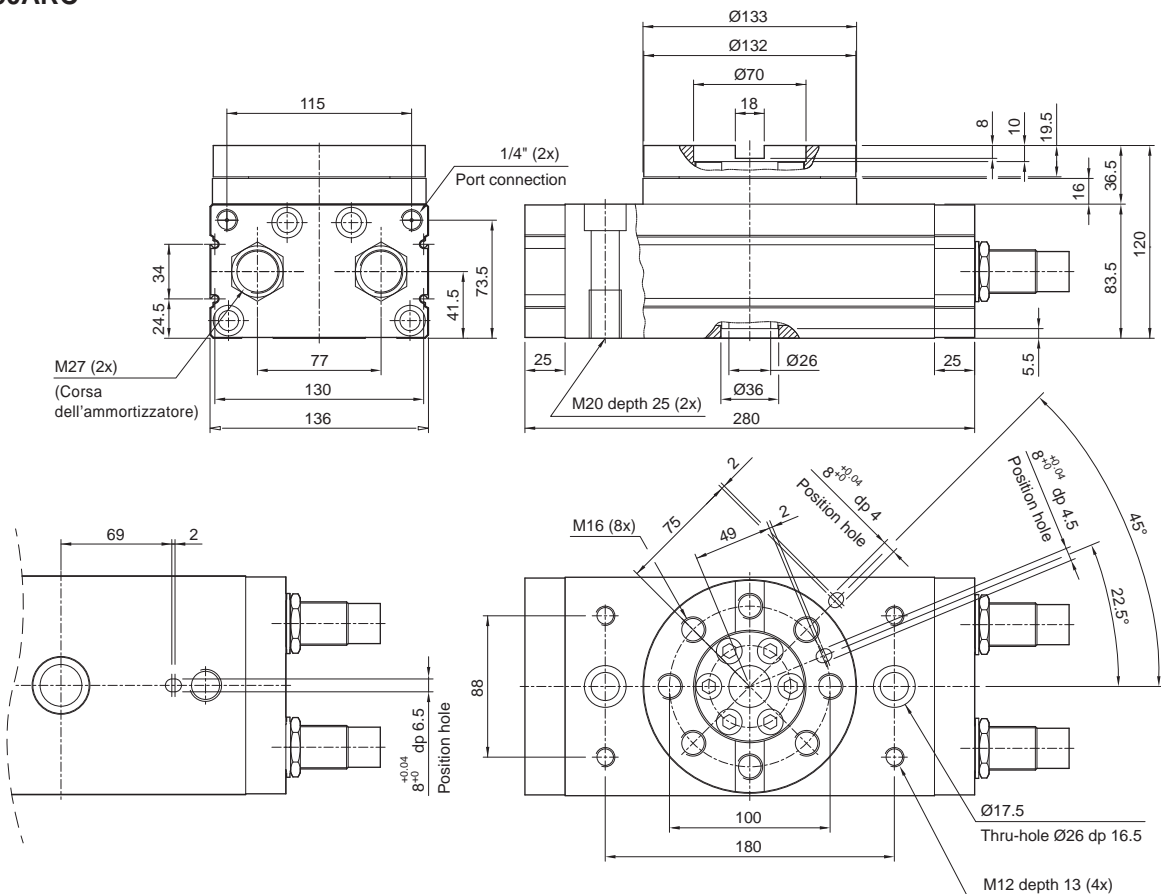




Type: **40ARC**



Type: **50ARC**





Type: 63ARC

