

Standard executions			
Version	Symbol	Code	Item
Ø 32 mm connection F03/CH=9		810101	AR32DEF0309
Ø 40 mm connection F03/F05 CH=11		810128	AR40DEF03/0511
Ø 52 mm connection F03/F05 CH=11		810102	AR52DEF03/0511
Ø 63 mm connection F05/F07 CH=14		810106	AR63DEF05/0714
Ø 75 mm connection F05/F07 CH=14		810108	AR75DEF05/0714
Ø 83 mm connection F05/F07 CH=17		810110	AR83DEF05/0717
Ø 92 mm connection F05/F07 CH=17		810112	AR92DEF05/0717
Ø 105 mm connection F07/F10 CH=22		810114	AR105DEF07/1022
Ø 125 mm connection F07/F10 CH=22		810116	AR125DEF07/1022
Ø 140 mm connection F010/F12 CH=27		810130	AR140DEF10/1227
Ø 160 mm connection F010/F12 CH=27		810119	AR160DEF10/1227
Ø 190 mm connection F014 CH=36		810143	AR190DEF1436
Ø 210 mm connection F014 CH=36		810144	AR210DEF1436
Ø 240 mm connection F016 CH=46		810145	AR240DEF1646
Ø 270 mm connection F016 CH=46		810146	AR270DEF1646



Series of rotary actuators double acting with double rack. They can be applied to ball or butterfly valves to automate their operation.

The coupling actuator/valve can be direct thanks to the holes made on the bottom of the actuator itself according to ISO 5211 - DIN 3337 standards or through specific adapters.

The upper side of the actuator is made according to VDI/VDE 3845 NAMUR standards and allows to set up accessories such as CAM and position sensors.

The side connections are threaded and arranged for NAMUR valves.

For actuator with valve see from page 2.431.1.

For adapters and brackets see page 2.431.30.

For CAM and position sensors see page 2.431.30

For NAMUR solenoid valves see page 2.88.1.

CE **II 2Gc IIC T6**
II 2Dc T85°C

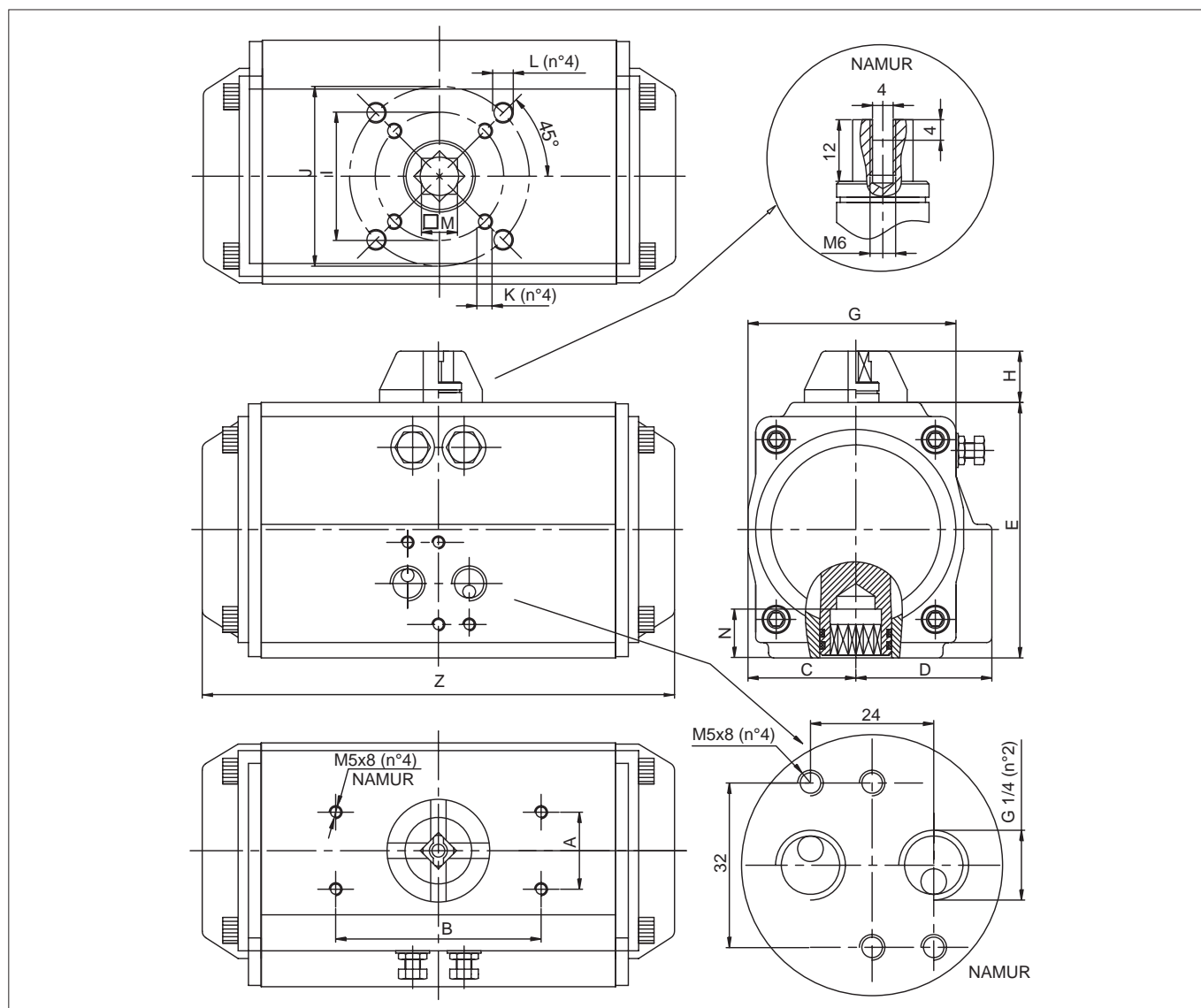
Manufactured according to 2014/34/EU - **ATEX**

Options	Suffix
Seals FKM -15°C ÷ + 150°C	V
Silicone seals -40°C ÷ + 80°C	BT

How to order: AR52DEF03/0511V

AR52DEF03/0511	V
Version	Option

Technical data	
Fluid	Compressed filtered air with or without lubrication. Lubrication, if started, must be continued.
Pressure range	See forces table at page 2.430.11
Temperature range	-20 °C ÷ + 80°C (standard)
Materials	Body: Hardened and anodised aluminium ASTM6063T6 Piston and rack: Aluminium Pinion: Nickel plated steel Heads: Aluminium Screws and springs: Stainless steel Seals: Nitrile rubber (NBR)



Ø actuator	A	B	C	D	E	G	H	I	J	K	L	M	N	Z	Connection	ISO flange
32	30	80	22,5	22.5	45	45	20	36	-	M5x8	-	9	-	118	G1/8	F03
40	30	80	28,5	36.5	60	65	20	36	50	M5x8	M6x10	11	14	147	G1/4 NAMUR	F03 / F05
52	30	80	30	41.5	72	65	20	36	50	M5x8	M6x10	11	14	147	G1/4 NAMUR	F03 / F05
63	30	80	36	47	87.5	72	20	50	70	M6x10	M8x13	14	18	168	G1/4 NAMUR	F05 / F07
75	30	80	42	53	99.5	81	20	50	70	M6x10	M8x13	14	18	184	G1/4 NAMUR	F05 / F07
83	30	80	46	57	108,8	92	20	50	70	M6x10	M8x13	17	21	204	G1/4 NAMUR	F05 / F07
92	30	80	50	61	116,5	98	20	50	70	M6x10	M8x13	17	21	262	G1/4 NAMUR	F05 / F07
105	30	80	57,5	64	133	109,5	20	70	102	M8x13	M10x16	22	26	268	G1/4 NAMUR	F07 / F10
125	30	80	67,5	74.5	155	127,5	20	70	102	M8x13	M10x16	22	26	301	G1/4 NAMUR	F07 / F10
140	30	80	75	77	172	137,5	20	102	125	M10x16	M12x20	27	31	390	G1/4 NAMUR	F10 / F12
160	30	80	87	87	197	158	20	102	125	M10x16	M12x20	27	31	458	G1/4 NAMUR	F10 / F12
190	30	130	103	103	230	189	30	-	140	-	M16x25	36	50	528	G1/4 NAMUR	F14
210	30	130	114	114	255	211	30	-	140	-	M16x25	36	50	532	G1/4 NAMUR	F14
240	30	130	130	130	289	245	30	-	165	-	M20x25	46	60	602	G1/4 NAMUR	F16
270	30	130	147	147	328	273	30	-	165	-	M20x25	46	60	722	G1/4 NAMUR	F16

OUTPUT TORQUE OF DOUBLE ACTING ACTUATORS (Nm)										
Ø actuator	Air pressure (bar)									
	2	2,5	3	4	4,5	5	5,5	6	7	8
32	3,1	3,8	4,6	6,1	6,9	7,6	8,4	9,2	10,7	12,2
40	4,8	6,0	7,2	9,5	10,7	11,9	13,1	14,3	16,7	19,1
52	8,0	10,0	12,0	16,0	18,0	20,0	21,9	23,9	27,9	31,9
63	14,6	18,2	21,9	29,2	32,8	36,5	40,1	43,8	51,1	58,4
75	20,1	25,1	30,1	40,1	45,1	50,2	55,2	60,2	70,2	80,3
83	31,4	39,2	47,0	62,7	70,5	78,4	86,2	94,1	109,7	125,4
92	45,1	56,4	67,7	90,3	101,6	112,9	124,1	135,4	158,0	180,6
105	66,1	82,7	99,2	132,2	148,8	165,3	181,8	198,4	231,4	264,5
125	100,3	125,4	150,5	200,6	225,7	250,8	275,9	301,0	351,1	401,3
140	171,0	213,8	256,5	342,0	384,8	427,5	470,3	513,0	598,5	684,0
160	266,0	332,5	399,0	532,0	598,5	609,0	731,5	798,0	931,0	1064,0
190	425,6	532,0	638,4	851,2	957,6	1064,0	1170,4	1276,8	1489,6	1702,4
210	532,0	665,0	798,0	1064,0	1197,0	1330,0	1463,0	1596,0	1862,0	2128,0
240	796,5	961,9	1154,3	1539,0	1731,4	1923,8	2116,1	2308,5	2693,3	3078,0
270	1169,6	1462,1	1754,5	2339,3	2631,7	2924,1	3216,5	3508,9	4093,7	4678,6

