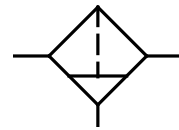
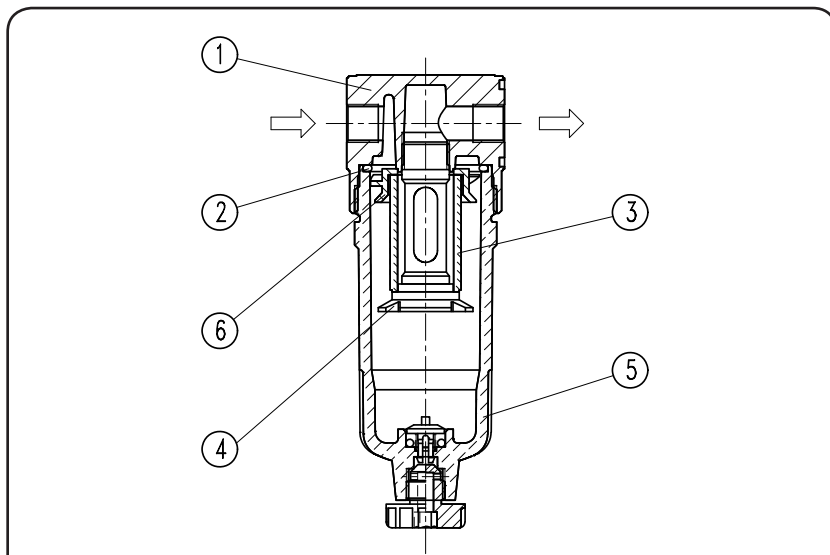


**Filter** **MULTI-FIX SERIE**

type	F.00	F.01	
item			
port size	G 1/8	G 1/4	
description centrifugal force principle with sintered filter			
mounting vertically, drain plug at bottom			
supply pressure Pe max.16 bar			
Pe min.1,5 bar with semi and auto drain			
filter element 5 µm standard (absolutely)			
media and ambient			
temperature max. 60°C (oth. temperature ranges available upon request)			
bowl volume max. 16 cm³			
drain model semi drain standard (HA4)			
fixing install in pipe line			
weight 0,210 kg			



technical modifications keep in reserve!



**series 0**

ordering information

**F. \*\* \***  
 type   
 port size  option

**replacement parts**

no	description	material	order-no.
1	body	zinc - Z 410	---
2	O-ring 30 x 2 DF.00-2	NBR	1.1100.02.000
3	filter element 5 µm C.00-26	cellpor	5.2111.26.000
4	baffle plate DF.00-4	PA	3.1100.04.000
5	bowl C.00 HA4	polycarbonate	8.2100.84.000
6	twist plate F.00-6	POM	3.1300.06.000

ordering example: F.00 B HA

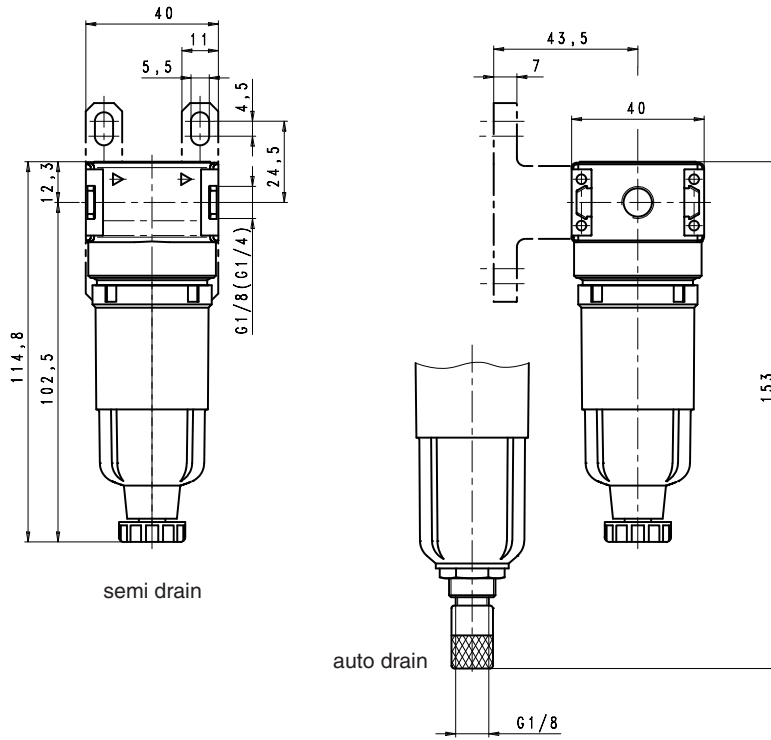
port size	
1	00 G 1/8
	01 G 1/4
options	
2	B bowl guard
	M metal bowl
	only with semi drain (HA3)
	auto drain
AM	installation only with long bowl and without bowl guard

**application information**

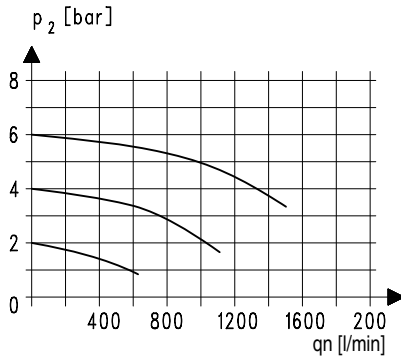
- easy block assembly for components to be connected in series
- interlocking of several individual devices requires coupling kit(s) KP.00 (Pe max. 12 bar)
- filter transmittance according to ISO 4003, bubble point test
- field installation of bowl guard without tools

page: F.00 (08/08)

## dimensions (mm)

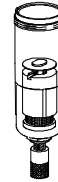


## flow characteristics



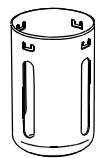
## accessories

bowl with auto drain



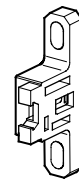
type: C.11 AM10

bowl guard



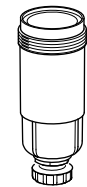
type: C.00-45

mounting bracket assembly



type: ZW.00

metal bowl



type: C.00 M HA3