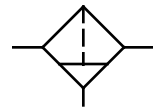


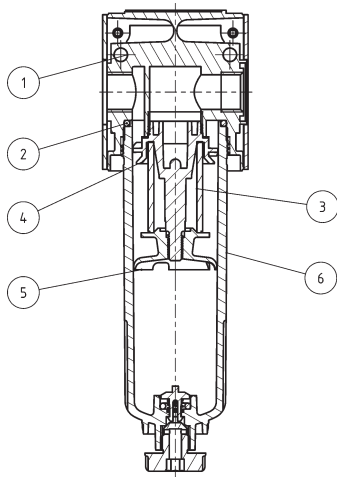
Filter

MULTI-FIX SERIES

type	F.11	F.12	
item			
port size	G 1/4	G 3/8	
description centrifugal force principle with sintered filter			
mounting vertically, drain plug at bottom			
Medium compressed air, neutral gases			
supply pressure	Pe max.16 bar		
	Pe min. 1,5 bar		
	Pe max. 20 bar with metal bowl and semi drain		
filter element	5 µm standard (absolutely)		
media and ambient temperature	max.60°C (other temperature ranges available upon request)		
bowl volume	max. 25 cm³		
drain model	semi drain standard		
fixing	2 holes in the body or bracket		
weight	0,275 kg		



technical modifications keep in reserve!



replacement parts

no	description		material	order-no.
1	body		Z 410	---
2	O-ring 30 x 2	DF.00-2	NBR	1.1100.02.000
3	filter element 5 µm	C.00-26	cellpor	8.2111.26.001
4	twist plate	C.11-12	POM	3.2111.12.000
5	baffle plate	C.11-70	PA	3.2111.70.000
6	bowl	C.11 HA	polycarbonate	8.2111.84.000

series 1

ordering information

**F. \*\* \***  
 type   
 port size  option

ordering example: F.11 B AM

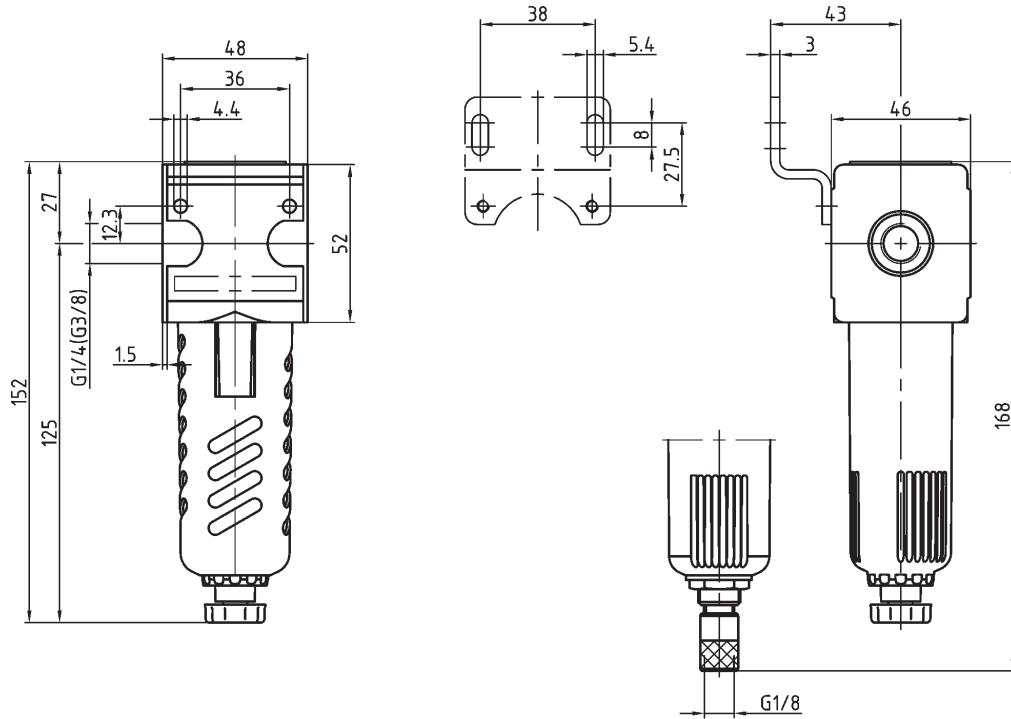
port size	
1	11 G 1/4
	12 G 3/8
2	options
	B bowl guard
	H metal bowl with sight glass
	AM auto drain

page: F.11 (09/08)

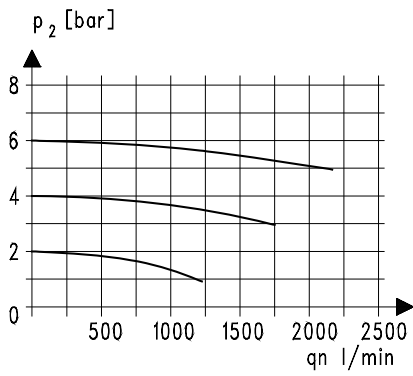
application information

- easy block assembly for components to be connected in series
- interlocking of several individual devices requires coupling kit(s) KP.11
- interlocking of several individual devices with narrow distributor Z.11 requires coupling kit(s) KP.11 Z
- filter transmittance according to ISO 4003, glass bead test
- field installation of bowl guard without tools

## dimensions (mm)

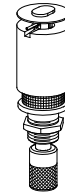


## flow characteristics



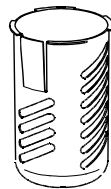
## accessories

auto drain



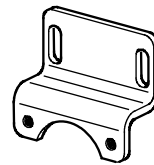
type: AM 10

bowl guard



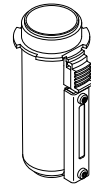
type: C.11-45

bracket



type: ZW.11

metal bowl with sight glass



type: C.11 H