

MULTI-FIX

Filter | BG3

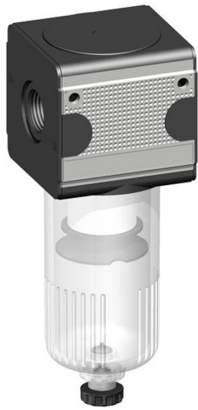


Image shows:  
9.1333.050

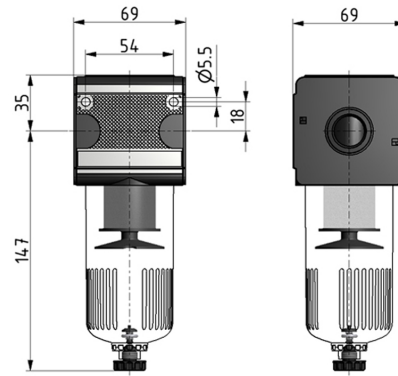


Image shows:  
9.1333.050

Service 3 unit

Service 2 unit

Filter regulator

Filter

Pressure regulator

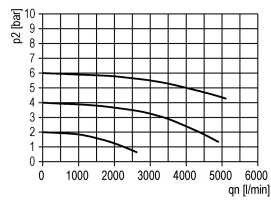
Lubricator

System extensions

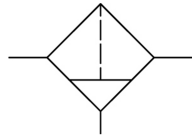
Accessories

Special products

flow characteristic



symbol



technical data

- **description:** sinter filter centrifugal principle
- **medium:** compressed air, neutral gases
- **supply pressure P1 min.:** 1,5 bar
- **supply pressure P1 max.:** 16 bar
- **temperature range:** 0 - 60°C
- **bowl:** PC
- **drain:** HA
- **mounting:** vertical
- **filter element:** 5 µm

accessories



- **mounting bracket:** [ZW.33-1](#)

type	part-number	description
F.33 HA4	9.1333.050	Filter G1/2 5µm with PC bowl and semi automatic drain
F.33 H HA3	9.1333.053	Filter G1/2 5µm with metal bowl/visual display and semi automatic drain
F.33 HA4 B	9.1333.054	Filter G1/2 5µm with PC bowl, bowl guard and semi automatic drain
F.33 AM10	9.1333.100	Filter G1/2 5µm with PC bowl and automatic drain
F.33 H AM10	9.1333.103	Filter G1/2 5µm with metal bowl/visual display and automatic drain
F.33 AM10 B	9.1333.104	Filter G1/2 5µm with PC bowl, bowl guard and automatic drain
F.34 HA4	9.1334.050	Filter G3/4 5µm with PC bowl and semi automatic drain
F.34 H HA3	9.1334.053	Filter G3/4 5µm with metal bowl/visual display and semi automatic drain
F.34 HA4 B	9.1334.054	Filter G3/4 5µm with PC bowl, bowl guard and semi automatic drain
F.34 AM10	9.1334.100	Filter G3/4 5µm with PC bowl and automatic drain
F.34 H AM10	9.1334.103	Filter G3/4 5µm with metal bowl/visual display and automatic drain
F.34 AM10 B	9.1334.104	Filter G3/4 5µm with PC bowl, bowl guard and automatic drain

- Service 3 unit
- Service 2 unit
- Filter regulator
- Filter**
- Pressure regulator
- Lubricator
- System extensions
- Accessories
- Special products