

MULTI-FIX

Service 3 unit | BGO



Image shows:
9.2700.00.600

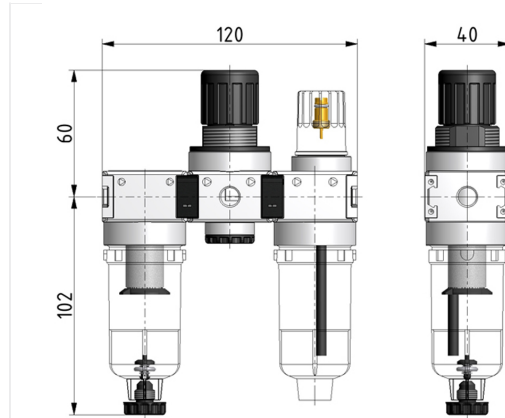
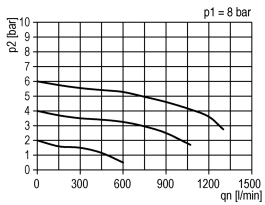
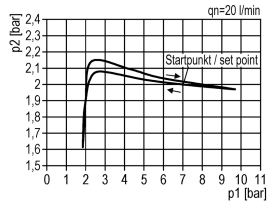


Image shows:
9.2700.00.600

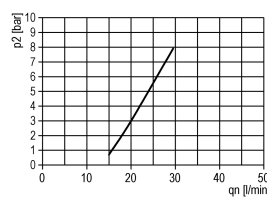
flow characteristic



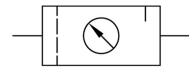
pressure characteristic



lubricator operating limit



symbol



technical data

- **description:** sinter filter centrifugal principle, diaphragm-type pressure with relieving feature, micro mist lubricator
- **medium:** compressed air, neutral gases
- **supply pressure P1 min.:** 1,5 bar
- **supply pressure P1 max.:** 12 bar
- **temperature range:** 0 - 60°C
- **bowl:** PC
- **drain:** HA
- **mounting:** vertical
- **filter element:** 5 µm
- **bowl volume lubricator:** 35 cm³
- **oil metering qv=1.000l/min:** 10 - 20 drops/min
- **oil type:** CL 32 DIN 51517 - ISO VG 32

accessories



- coupling kit wall mounting:
[ZW.00-1](#)



- control panel mounting:
[MW.30/DR.00-34-2](#)

- lockable setting knob possible

type	part-number	description
FRL.00 HA4	9.2700.00.600	Service 3 unit G1/8 0,5-10 5µm with PC bowl and semi automatic drain
FRL.00 HA4 B	9.2700.00.601	Service 3 unit G1/8 0,5-10 5µm with PC bowl, bowl guard and semi automatic drain
FRL.00 AM10	9.2700.00.604	Service 3 unit G1/8 0,5-10 5µm with PC bowl and automatic drain
FRL.00 M HA4	9.2700.00.606	Service 3 unit G1/8 0,5-10 5µm with metal bowl and semi automatic drain
FRL.01 HA4	9.2701.00.600	Service 3 unit G1/4 0,5-10 5µm with PC bowl and semi automatic drain
FRL.01 HA4 B	9.2701.00.601	Service 3 unit G1/4 0,5-10 5µm with PC bowl, bowl guard and semi automatic drain
FRL.01 AM10	9.2701.00.604	Service 3 unit G1/4 0,5-10 5µm with PC bowl and automatic drain
FRL.01 M HA4	9.2701.00.606	Service 3 unit G1/4 0,5-10 5µm with metal bowl and semi automatic drain

- Service 3 unit
- Service 2 unit
- Filter regulator
- Filter
- Pressure regulator
- Lubricator
- System extensions
- Accessories
- Special products