

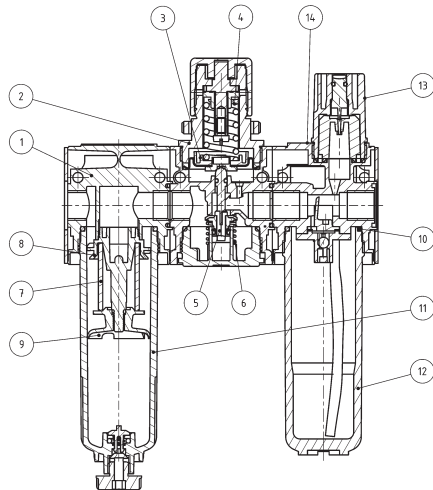
Service unit 3 part assemblies

MULTI-FIX SERIES

item	type	FRL.11	FRL.12
port size		G 1/4	G 3/8
description		air line regulator with diaphragm and relieving feature, centrifugal force principle with sintered filter, propor. oiler	
mounting		vertically, drain plug at bottom	
supply pressure		Pe max. 16 bar; Pe min. 1,5 bar	
reduced pressure		Pa 0,5-10 bar standard, 0,1-3 bar, 0,2-6 bar, 0,5-16 bar	
filter element		5 µm standard (absolutely)	
media and ambient temperature		max. 60°C (oth. temperature ranges available upon request)	
bowl volume		max. 25 cm <sup>3</sup> condensation volume, 50 cm <sup>3</sup> oil bowl	
drain model		condensate drain, semi automatic standard	
oil dosage rage when qv = 1000 l/min		1-2 drops/min (determining factor)	
kind of oil		CL 32 standardized to DIN 51517 - ISO VG 32	
fixing		panel mounting; installation diameter ø30,5 bracket or through 2 holes in the body	
weight		1,190 kg	



technical modifications keep in reserve!



replacement parts

🔧 ( repair kit: ESA-R/C.11 )

no	description	material	order-no.
1	body	zinc - Z 410	---
2	spring cage C.00-72	POM - Ms	8.2100.72.000
3	diaphragm assembly	NBR - Ms	
4	reg. spring 0-10 bar C.11-83	St. - galvanized	5.2111.83.000
5	valve cone	NBR - Ms	
6	spring C.11-87	stainless steel	5.2111.87.000
7	filter element 5 µm C.00-26	cellpor	5.2100.26.000
8	twist plate C.11-12	POM	3.2111.12.000
9	baffle plate C.11-70	PA	3.2111.70.000
10	O-ring 30 x 2	NBR	
11	bowl C.11 HA	polycarbonate	8.2111.84.000
12	oil bowl L.11	polycarbonate	8.2511.09.000
13	dome assembly L.33	PA	9.9933.00.006
14	oil filler screw L.11-8	POM - NBR	7.2511.08.000
15	connecting kit KP.11	Z 410-St-NBR	9.9911.00.000



series 1

ordering information

FRL. \*\* \* \*

type

1 port size  2 option

reduced pressure

ordering example: FRL.11 S K AM 0,1-3

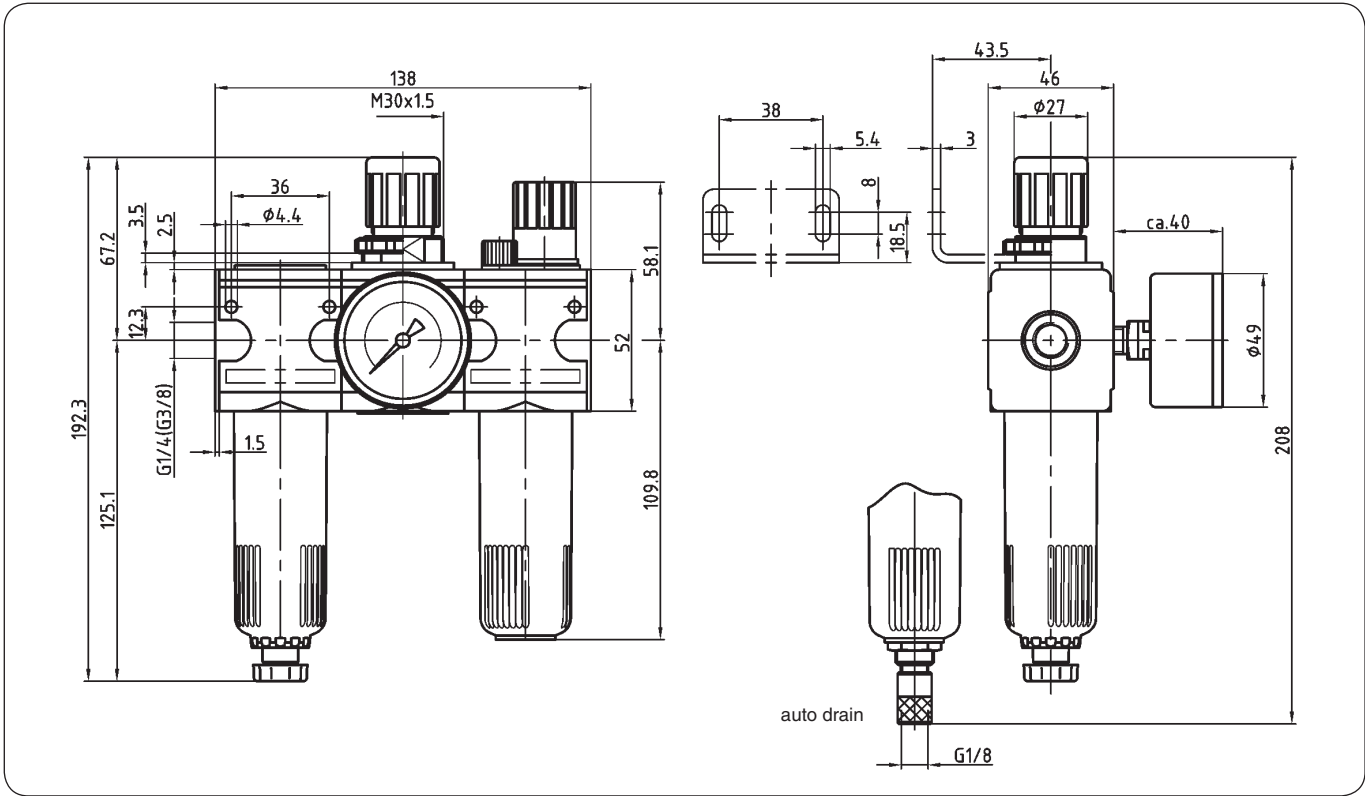
port size	
1	11 G 1/4
	12 G 3/8
options	
2	G gauge ø50
	S panel mounting
	K keylock
	B bowl guard
	H metal bowl with sight glass
	AM auto drain
	N electrical level control

application information

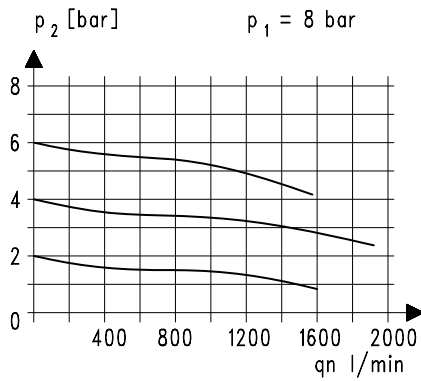
- adjusting knob can be locked by depressing
- filter transmittance according to ISO 4003, glass bead test
- oil fill in is possible under pressure
- field installation of bowl guard without tools

page: FRL.11 (10/08)

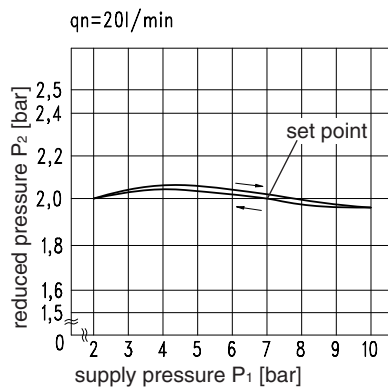
## dimensions (mm)



## flow characteristics

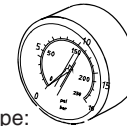


## pressure characteristic



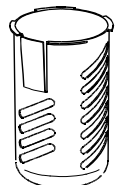
## accessories

### gauge



type:  
G 50.6 R  
G 50.10 R  
G 50.16 R  
G 50.25 R

### bowl guard



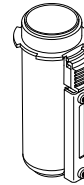
type: C.11-45

### panel mounting ring M 30 x 1,5



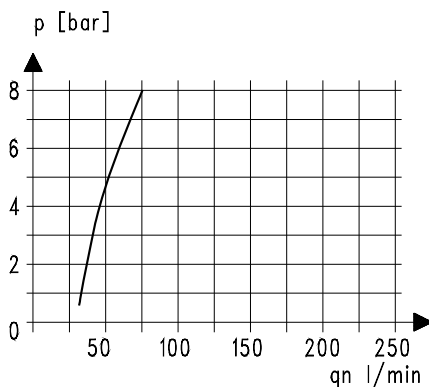
type: DR.00-34

### metal bowl with sight glass



type: C.11 H

## lubricator operating limit



### mounting bracket

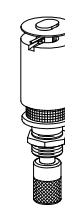


type: ZW.11



type: MW.30

### auto drain



type: AM 10

### spring



type:  
0,1- 3: C.11-81  
0,2- 6: C.11-82  
0,5-16: C.11-66