

Mounting Accessories for Cylinders

Bearings - Axial articulated couplings

Standard executions		
Version	Symbol	Type
Axial		RBI

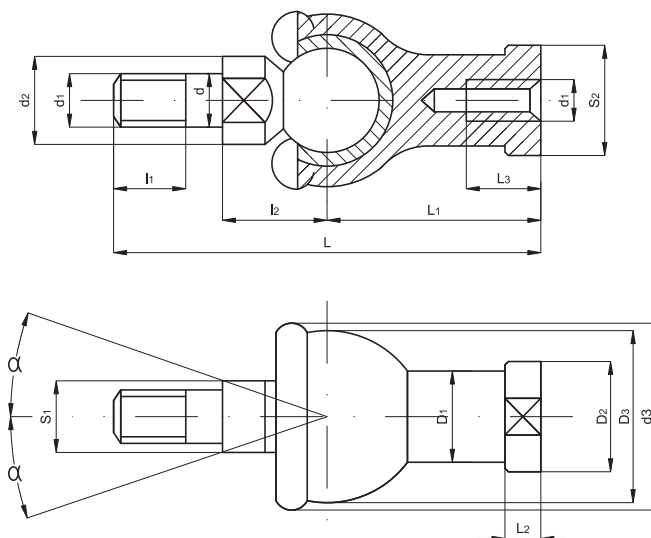


Axial articulated couplings with bearing. They are mounted on the cylinder rod and allow to compensate the angular misalignments.

Options	Suffix
Special versions on request	/ S

Technical data	
Temperature range	-20 °C ÷ +80 °C
Materials	Body: Special zinc alloy Pin: Zinc plated steel Seal: Neoprene Pre-lubricated spherical coupling

Type: **RBI**



Code	Item	For cylin. Ø mm	d	d ₁	d ₂	d ₃	l ₁	l ₂	S ₁	L	L ₁	L ₂	L ₃	D ₁	D ₂	D ₃	S ₂	Load (KN)		α	Weight (g)
																		Dynam.	Static		
041601	RBI5	*	5	M5x0,8	9	20	8	11	7	46	24	4	12	9	11	17	9	1,7	5,7	15	25
041602	RBI6	12-16	6	M6x1	10	20	11	12,2	8	55,2	28	5	15	10	13	20	11	2,2	7,5	15	40
041603	RBI8	20	8	M8x1,25	12	24	12	16	10	65	32	5	16	12,5	16	24	14	3,3	11	15	75
041604	RBI10	25-32	10	M10x1,25	14	30	15	19,5	11	74,5	35	6,5	18	15	19	28	17	4,8	16	15	121
041605	RBI12	40	12	M12x1,25	17	32	17	21	15	84	40	6,5	20	17,5	22	32	19	6,6	22	15	187
041606	RBI14	*	14	M14x1,5	19	38	22	23,5	17	104,5	45	8	25	20	25	36	22	8,7	29	11	277
041607	RBI16	50-63	16	M16x1,5	22	44	23	25,5	19	112	50	8	27	22	27	40	22	10	33	11	361
041608	RBI18	*	18	M18x1,5	23	45	25	31	20	130,5	58	10	32	25	31	45	27	11	37	11	539
041609	RBI20	80-100	20	M20x1,5	27	50	25	29	24	133	63	10	38	27,5	34	45	30	11	37	7,5	575
041610	RBI22	*	22	M22x1,5	27	52	26	33	24	145	70	12	43	30	37	50	32	14	46	7,5	757

* For cylinders not conforming to standards.

