

**Valves series A1**  
1/8", 3/2, manually operated

| Standard executions            |        |        |           |
|--------------------------------|--------|--------|-----------|
| Version                        | Symbol | Code   | Item      |
| 3/2 NC, side lever, 1 position |        | 034071 | A1MA130LL |
| 3/2 side lever, 2 positions    |        | 034070 | A1MA132LL |
| 3/2 top lever, 2 positions     |        | 034082 | A1MA132LT |
| 3/2 NC, push-pull, 1 position  |        | 034083 | A1MA130TT |
| 3/2 push-pull, 2 positions     |        | 034084 | A1MA132TT |



Series of spool valves, with static seals, high flow, for panel or sub-base mounting.

| Options                             | Suffix    |
|-------------------------------------|-----------|
| Low temperature seals (-25 ÷ +60°C) | <b>BT</b> |

Code key

| Series | Actuation   | Size   | Function   | Configuration                                       | Options              |
|--------|-------------|--------|--|---|----------------------|
| A1     | MA = Manual | 1=1/8" | 30 = 3/2 NC spring return<br>32 = 3/2 two stable positions | LL = side lever<br>LT = top lever<br>TT = push-pull | BT = low temp. seals |

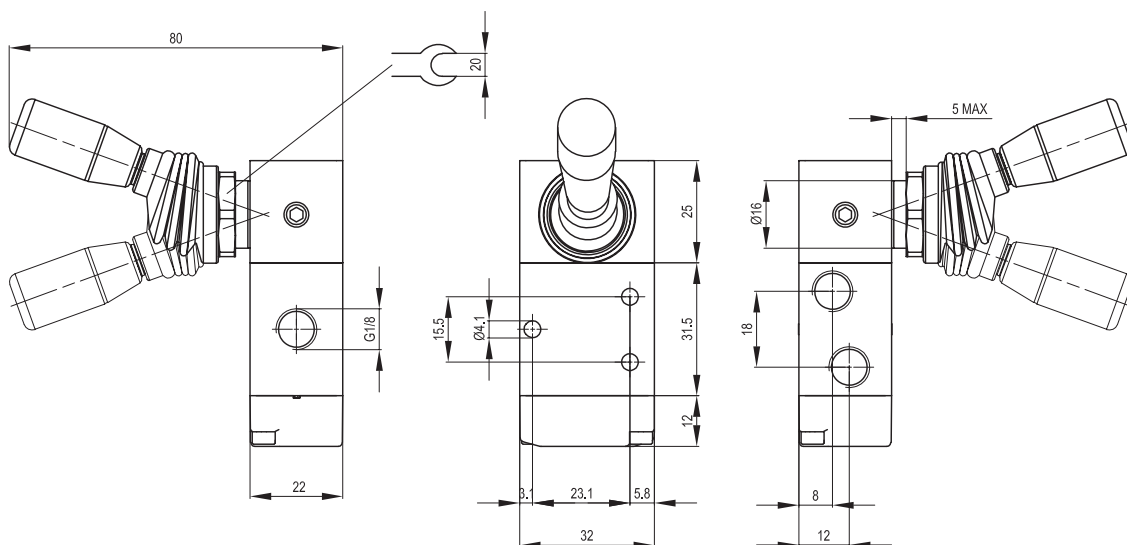


**II 2Gc IIB T5**  
**II 2Dc T100°C**

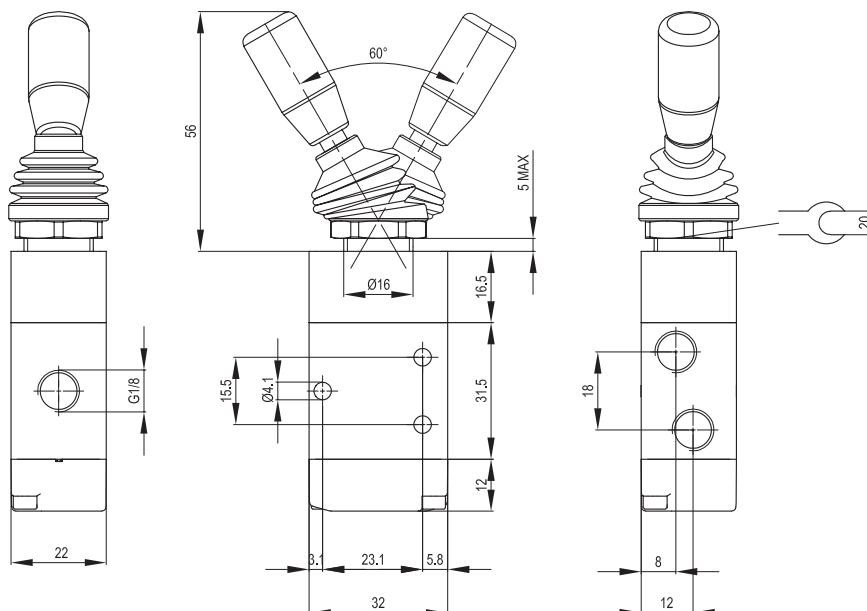
On request, they can be supplied according to 2014/34/EU - **ATEX**

| Technical data    |   |
|-------------------|---|
| Fluid             | Compressed filtered air with or without lubrication. Lubrication, if started, must be continued.  |
| Pressure range    | 0 ÷ 10 bar  |
| Temperature range | -10°C ÷ +80°C (standard)      -25°C ÷ +60°C (BT)  |
| Orifice           | 6,5 mm  |
| Flow              | 650 NI/min at 6 bar with ΔP 1 bar   |
| Mounting          | In any position   |
| Materials         | Body: Anodised aluminium<br>Cover: Anodised aluminium<br>Bottom plates: Hostaform C 13031<br>Spool: Hard aluminium anodized<br>Distancers: Ixef 1022<br>Seals: Hydrogenated Nitrile Butadiene Rubber (HNBR)<br>Lever: Steel / Plastic |



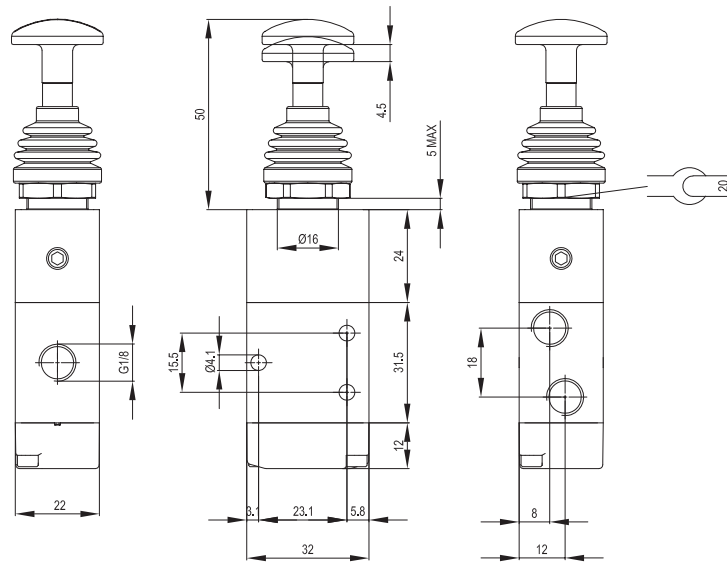


| Version                        | Symbol | Code   | Item      |
|--------------------------------|--------|--------|-----------|
| 3/2 NC, side lever, 1 position |        | 034071 | A1MA130LL |
| 3/2 side lever, 2 positions    |        | 034070 | A1MA132LL |



| Version                    | Symbol | Code   | Item      |
|----------------------------|--------|--------|-----------|
| 3/2 top lever, 2 positions |        | 034082 | A1MA132LT |

Valves series A1  
1/8", 3/2, manually operated



| Version                       | Symbol | Code   | Item      |
|-------------------------------|--------|--------|-----------|
| 3/2 NC, push-pull, 1 position |        | 034083 | A1MA130TT |
| 3/2 push-pull, 2 positions    |        | 034084 | A1MA132TT |

