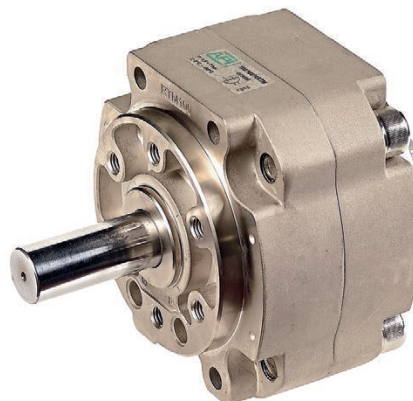


Esecuzioni standard		
Version	Symbol	Type
Standard		ARTM
Magnetic		ARTMC
Standard adjustable angle		ARTML
Magnetic adjustable angle		ARTMLC



Series of Hi-rotor cylinders with fixed and adjustable rotation angles and reduced overall dimensions. They are provided with elastic dampers to relieve the impacts of the vanes.

For mounting accessories see from page 1.50.10.

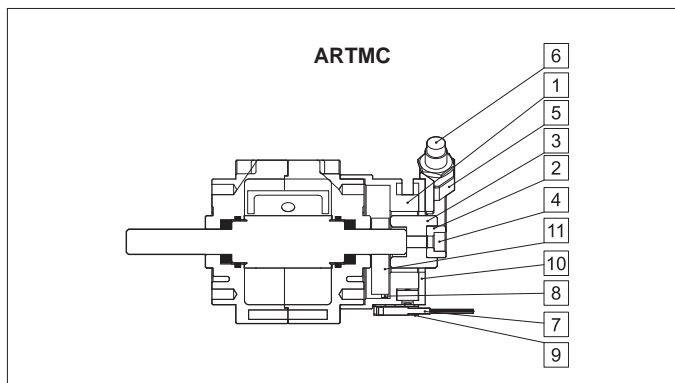
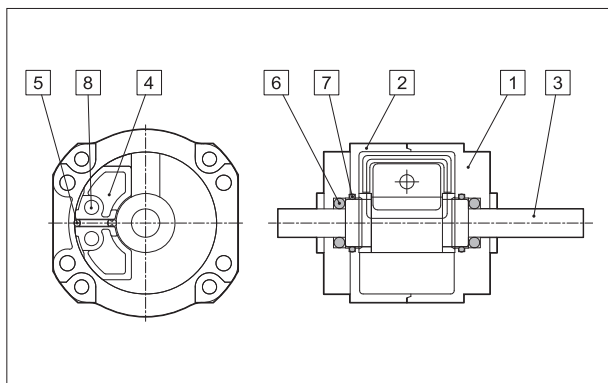
For the magnetic reed switches type ASC see from page 1.110.2.

How to order: 50 / 90° ARTML

Options	Suffix
With shock absorber	D
Special versions on request	/ S

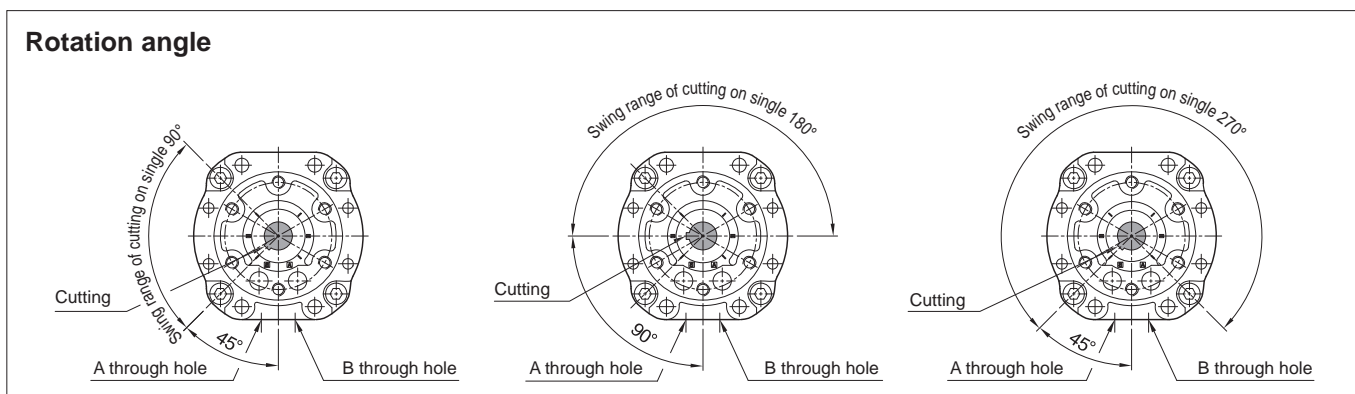
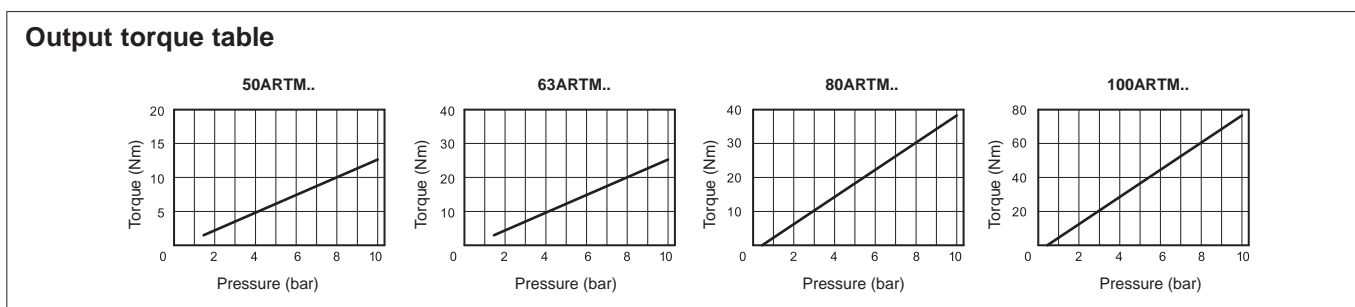
50	/	90°	ARTML
Size	/	Rotation	Type

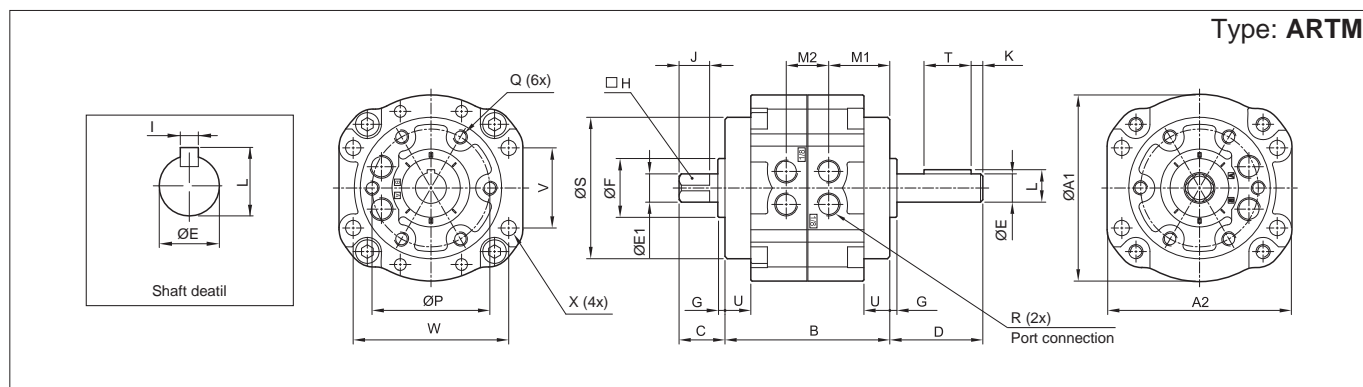
Technical data					
Size	50	63	80	100	
Bores	Ø 12	Ø 15	Ø 17	Ø 25	
Fluid	Compressed filtered air with or without lubrication. Lubrication, if started, must be continued.				
Pressure range	1,5 ÷ 7 bar				
Temperature range	0° C ÷ + 50° C				
Rotation angle	90° - 180° - 270°				
Torque moment (Nm) at 6 bar	5	10	18	35	
Ports	1/8"		1/4"		
Weight (g)	ARTM-ARTML	760	1290	1920	3560
	ARTMC-ARTMLC	1100	1150	2300	3900



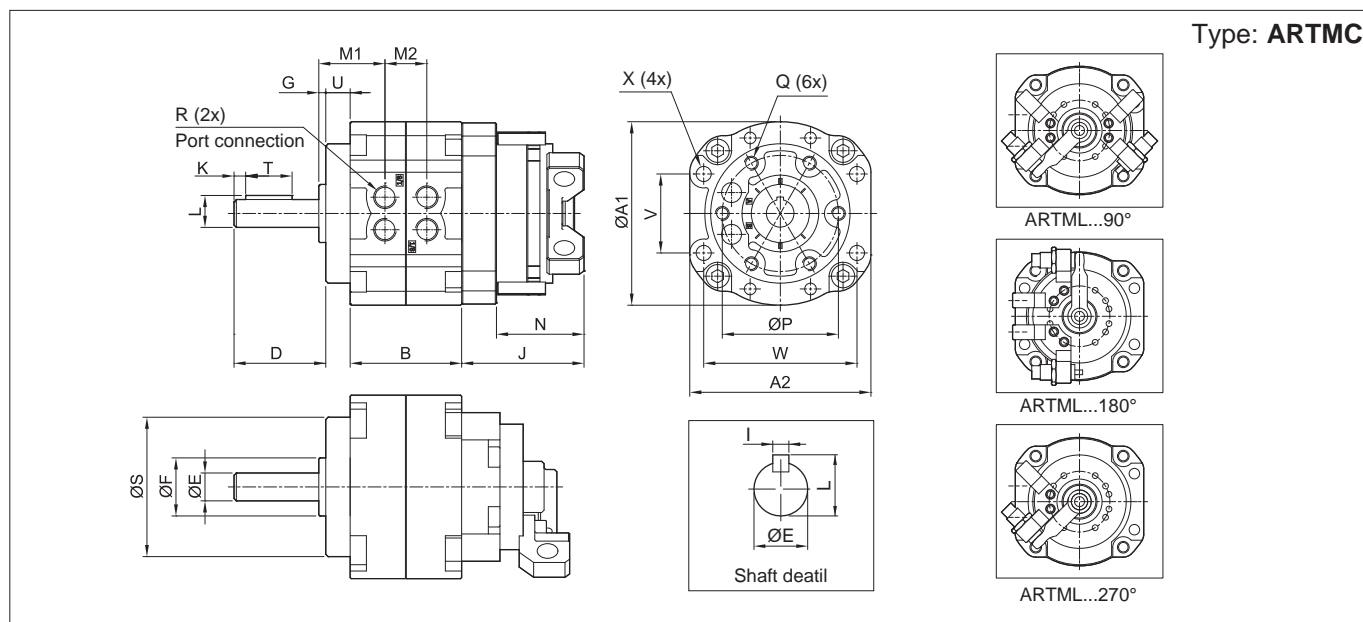
Materials (standard types)		
1	Front body	Aluminium alloy
2	End body	Aluminium alloy
3	Rod	Steel alloy
4	Position block	Aluminium alloy
5	O-ring	Nitrilic rubber NBR
6	Bearing	Steel
7	O-ring	Nitrilic rubber NBR
8	Position pin	Steel

Materials (standard types)		
1	Position base	Aluminium alloy
2	Rocker arm	Stainless steel
3	Rocker arm seat	Stainless steel
4	Screw	Steel alloy
5	Angle adjustment	Aluminium alloy
6	Shock absorber	-
7	Sensor switch	-
8	Magnet	Rare earth materials
9	Mounting base	Aluminium alloy
10	End cover	Aluminium alloy
11	Magnet seat	Aluminium alloy





Item	A1	A2	B	C	D	E	F	G	H	I	J	K	L	M1	M2	P	Q	R	S	T	U	V	W	ØX
50/90ARTM	79	78	70	19,5	39,5	12	25	3	10	4	13	5	13,5	26	18,2	50	M6x1,0p	RC1/8"	60	20	11	34	66	6,5
50/180ARTM																								
50/270ARTM																								
63/90ARTM	98	98	80	21	45	15	28	3	12	5	14	5	17	28,9	22,2	60	M8x1,25p	RC1/8"	75	25	14	39	83	9
63/180ARTM																								
63/270ARTM																								
80/90ARTM	110	110	90	23,5	53,5	17	30	3	13	5	16	5	19	30	30,2	70	M8x1,25p	RC1/4"	88	41	15	48	94	9
80/180ARTM																								
80/270ARTM																								
100/90ARTM	140	140	103	30	65	25	45	4	19	7	22	5	28	35,4	32,2	80	M10x1,5p	RC1/4"	108	40	11,5	60	120	11
100/180ARTM																								
100/270ARTM																								



Item	A1	A2	B	D	E	F	G	I	J	K	L	M1	M2	N	P	Q	R	S	T	U	V	W	ØX
50/90ARTMC	79	78	48	50,5	12	25	3	4	52,7	5	13,5	29	18	37,7	50	M6x1,0p	RC1/8"	60	20	11	34	66	6,5
50/180ARTMC																							
50/270ARTMC																							
63/90ARTMC	98	98	52	59	15	28	3	5	56,4	5	17	31,9	22,2	37,7	60	M8x1,25p	RC1/8"	75	25	14	39	83	9
63/180ARTMC																							
63/270ARTMC																							
80/90ARTMC	110	110	60	68,5	17	30	3	5	58,9	5	19	33	30	39,2	70	M8x1,25p	RC1/4"	88	36	15	48	94	9
80/180ARTMC																							
80/270ARTMC																							
100/90ARTMC	140	140	80	76,5	25	45	4	7	62,9	5	28	39,4	32,2	39,2	90	M10x1,5p	RC1/4"	108	40	11,5	60	120	11
100/180ARTMC																							
100/270ARTMC																							