

Standard executions		
Version	Symbol	Type
Standard		ARTM
Flanged		ARTMF
Magnetic		ARTMC
Flanged magnetic		ARTMFC
Standard with adjustable angle		ARTML
Flanged with adjustable angle		ARTMFL
Magnetic with adjustable angle		ARTMLC
Flanged magnetic with adjustable angle		ARTMFLC

Options	Suffix
Special versions on request	/ S



Series of Hi-rotor cylinders with fixed and adjustable rotation angles and reduced overall dimensions. They are provided with elastic dampers to relieve the impacts of the vanes.

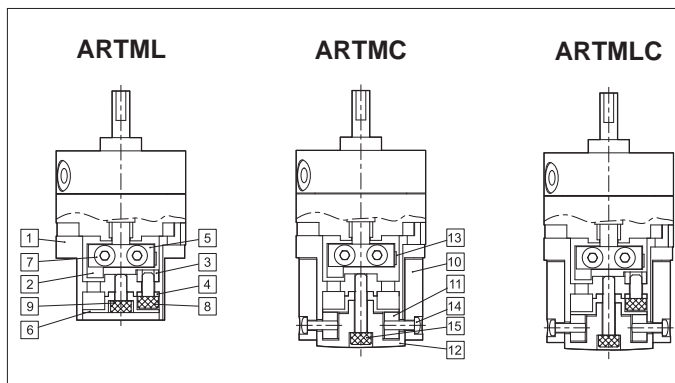
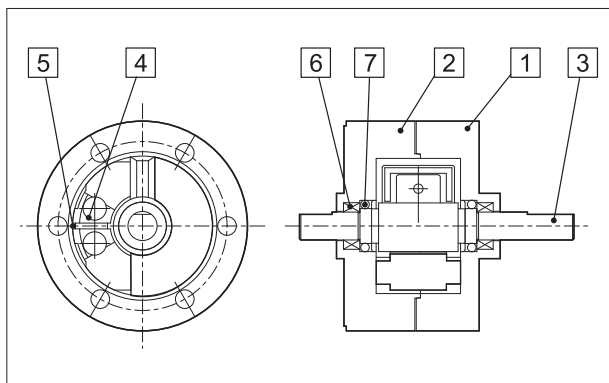
For the magnetic reed switches type ASC see from page 1.110.2.

How to order: 15 / 90° ARTML

15	/	90°	ARTML
Size	/	Rotation	Type

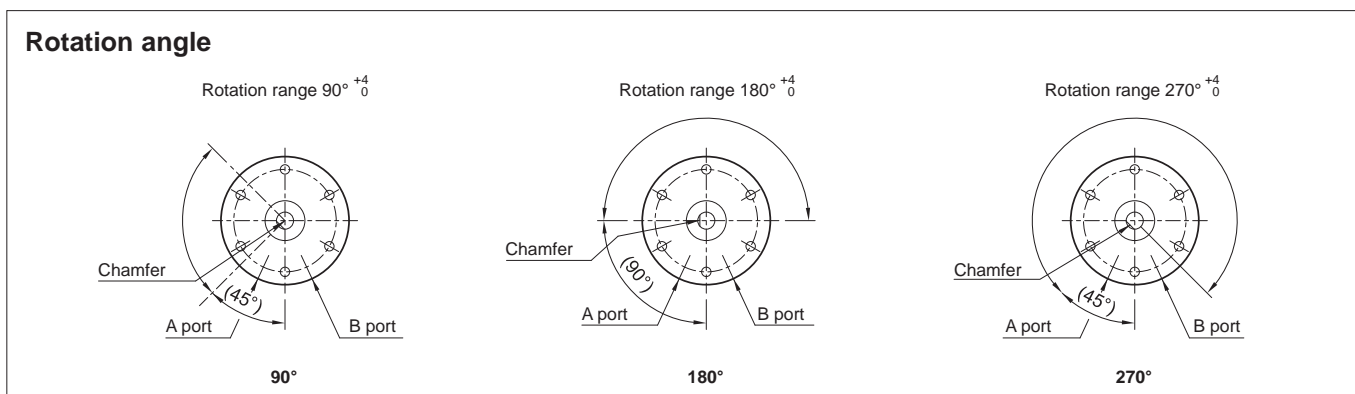
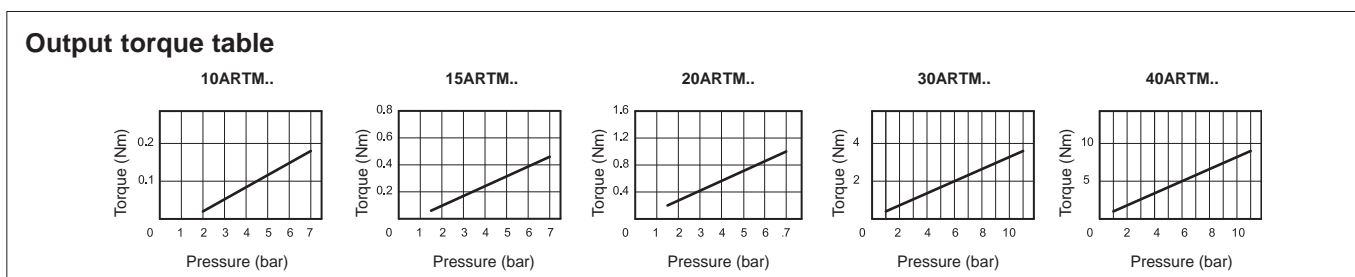
Technical data						
Size		10	15	20	30	40
Bores		Ø 4	Ø 5	Ø 6	Ø 8	Ø 10
Fluid	Compressed filtered air with or without lubrication. Lubrication, if be used, must be continuous					
Pressure range	1,5 ÷ 7 bar					
Temperature range	0° C ÷ + 50° C					
Rotation angle	90° - 180° - 270°					
Torque moment (Nm) at 6 bar		0,14	0,38	0,78	1,8	3,8
Ports	M5					
Weight (g)	ARTM-ARTML	28	48	112	200	342
	ARTMF-ARTMFL	41	70	138	268	438
	ARTMC-ARTMLC	78	116	240	390	604
	ARTMFC-ARTMFLC	91	138	266	468	700

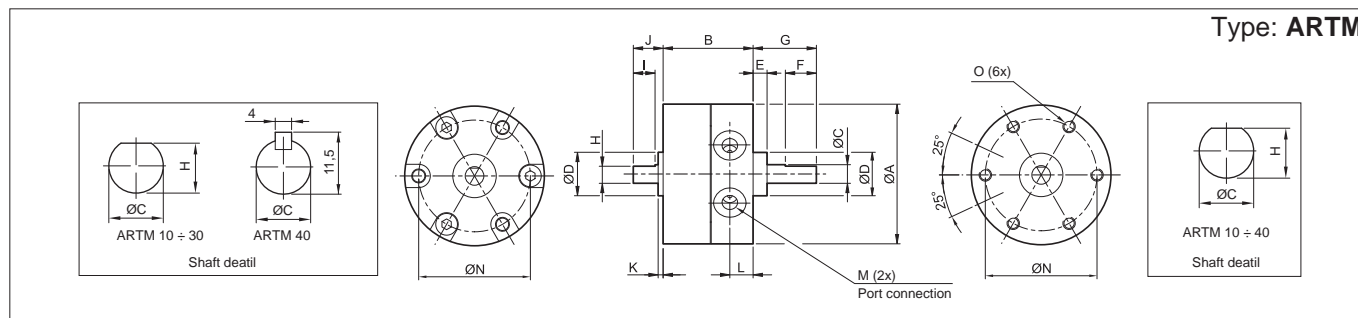




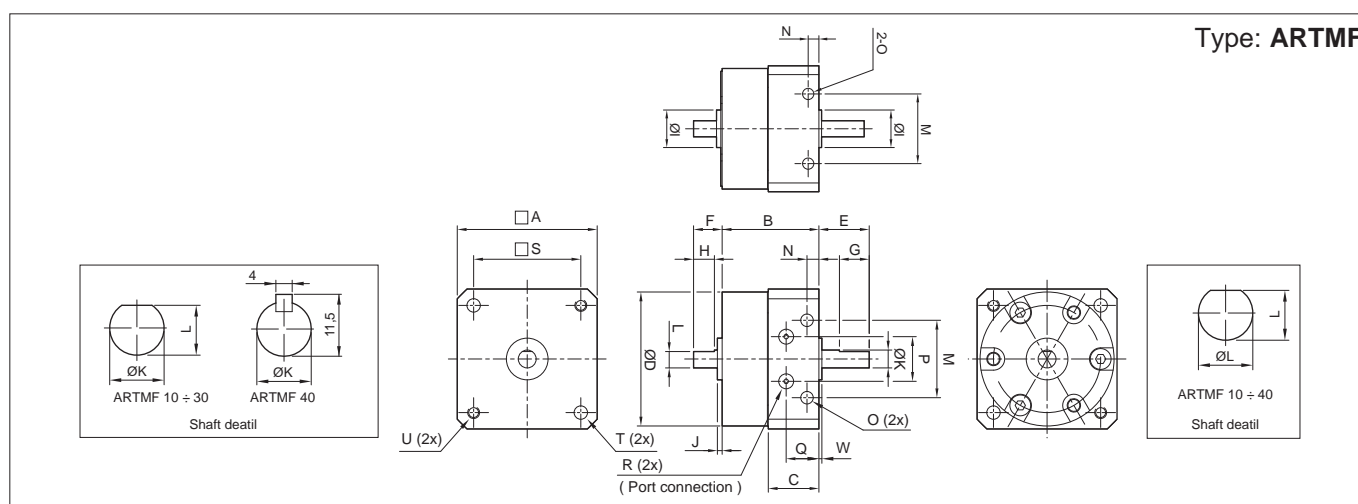
Materials (standard types)	
1	Front cover Aluminium alloy
2	End cover Aluminium alloy
3	Rod Steel alloy
4	Stopper Plastic - Steel
5	O-ring Nitrilic rubber NBR
6	Bearing Steel
7	O-ring Nitrilic rubber NBR

Materials (standard types)	
1	Position base Zinc alloy
2	Position lump Stainless steel
3	Angle location lump Steel
4	Angle location slice Steel
5	Lump Stainless steel
6	End cover Aluminium
7	Screw Steel alloy
8	Screw Steel alloy
9	Screw Steel alloy
10	Mounting base Aluminium alloy
11	Base and lump Aluminium alloy
12	End cover Aluminium alloy
13	Magnet TME
14	Screw Steel alloy
15	Screw Steel alloy

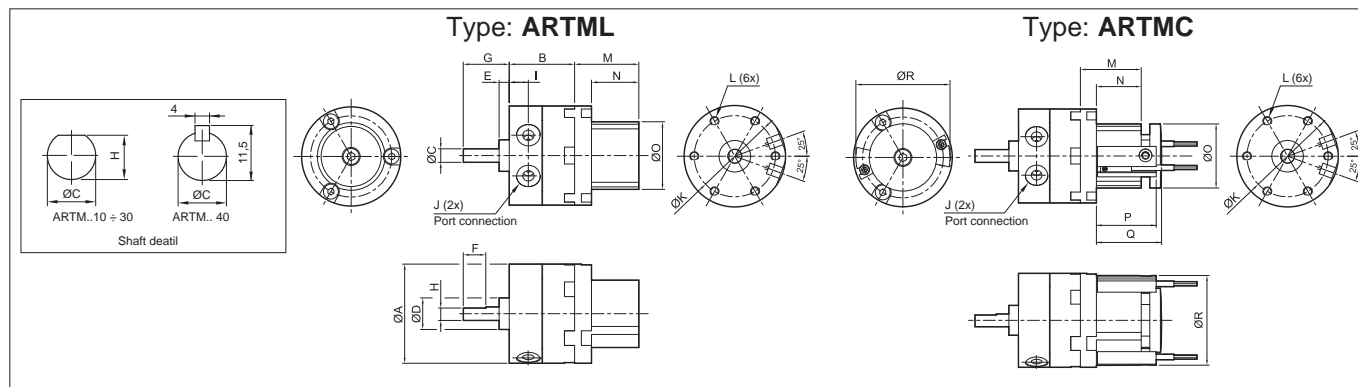




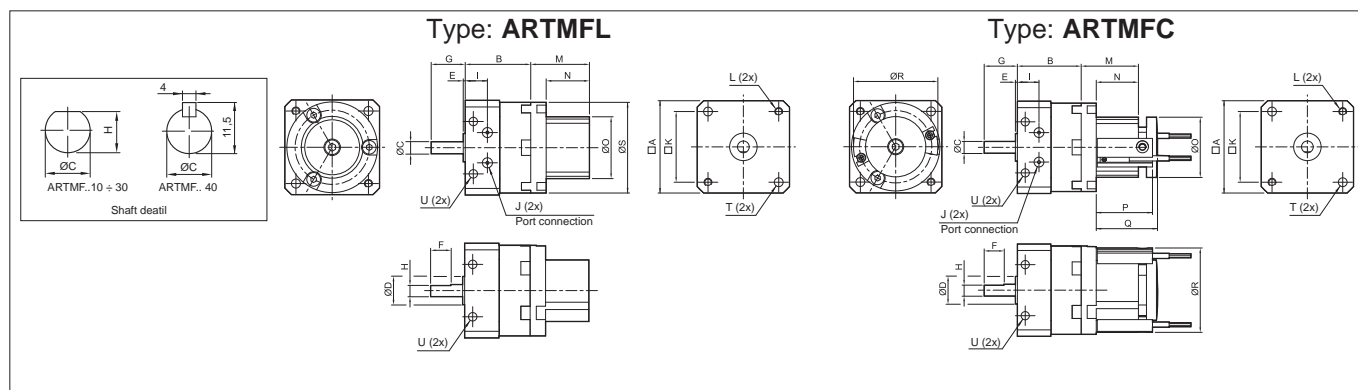
Item	A	B	C	D	E	F	G	H	I	J	K	L	M	N	O
10/90ARTM	30	17	4	9	3	9	14	3,5	5	8	1	4,2	M5x0,8p	24	M3x0,5p
10/180ARTM															
10/270ARTM															
15/90ARTM	35	20,1	5	12	4	10	18	4,5	6	9	1,5	5	M5x0,8p	29	M3x0,5p
15/180ARTM															
15/270ARTM															
20/90ARTM	44	29,1	6	14	4,5	10	20,3	5,5	7	9,6	1,6	8,5	M5x0,8p	36	M3x0,5p
20/180ARTM															
20/270ARTM															
30/90ARTM	51	40	8	16	5	12	22	7,5	8	13	2	11	M5x0,8p	43	M3x0,5p
30/180ARTM															
30/270ARTM															
40/90ARTM	64	45	10	25	6,5	22	30	9	9	15	4,5	9,5	M5x0,8p	56	M3x0,5p
40/180ARTM															
40/270ARTM															



Item	A	B	C	D	E	F	G	H	I	J	K	L	M	N	O	P	Q	R	S	T	U	V	W
10/90ARTMF	31	22	13,3	30	14	8	9	5	9	1	4	3,5	17	3	3,5	10,5	9,2	M5x0,8p	25	3,5	M3x0,5p	24	1
10/180ARTMF																							
10/270ARTMF																							
15/90ARTMF	36	25,7	15,5	35	18	9	10	6	12	1,5	5	4,5	21	3	3,5	10,5	10,5	M5x0,8p	29	3,5	M3x0,5p	29	1,5
15/180ARTMF																							
15/270ARTMF																							
20/90ARTMF	44	33,6	19	44	20	10	10	7	14	1,6	6	5,5	26	4	4,2	15	13	M5x0,8p	36	4,5	M3x0,5p	36	1
20/180ARTMF																							
20/270ARTMF																							
30/90ARTMF	52	47,5	27,2	51	22	13	12	8	16	2	8	7,5	29	4,5	5,5	13,5	18,5	M5x0,8p	42	5,5	M3x0,5p	43	2
30/180ARTMF																							
30/270ARTMF																							
40/90ARTMF	64	53	30,4	64	30	15	22	9	25	4,5	10	9	38	5	5,5	19	14	M5x0,8p	52	5,5	M3x0,5p	56	3
40/180ARTMF																							
40/270ARTMF																							



Item		A	B	C	D	E	F	G	H	I	J	K	L	M	N	O	P	Q	R
10/90ARTML	10/90ARTMC	30	17	4	9	3	9	14	3,5	4,2	M5x0,8p	24	M3x0,5p	24	18	18	23,3	24	29
10/180ARTML	10/180ARTMC																		
10/270ARTML	10/270ARTMC																		
15/90ARTML	15/90ARTMC	35	20,1	5	12	4	10	18	4,5	5	M5x0,8p	29	M3x0,5p	28	22	24	27,3	29,5	34
15/180ARTML	15/180ARTMC																		
15/270ARTML	15/270ARTMC																		
20/90ARTML	20/90ARTMC	44	29,1	6	14	4,5	10	20,3	5,5	8,5	M5x0,8p	36	M3x0,5p	28,5	21	30	28	30,5	42
20/180ARTML	20/180ARTMC																		
20/270ARTML	20/270ARTMC																		
30/90ARTML	30/90ARTMC	51	40	8	16	5	12	22	7,5	11	M5x0,8p	43	M3x0,5p	32,5	24	34	30,8	34	47
30/180ARTML	30/180ARTMC																		
30/270ARTML	30/270ARTMC																		
40/90ARTML	40/90ARTMC	64	45	10	25	6,5	22	30	-	9,5	M5x0,8p	56	M3x0,5p	34,5	26	34	33	36	47
40/180ARTML	40/180ARTMC																		
40/270ARTML	40/270ARTMC																		



Item		A	B	C	D	E	F	G	H	I	J	K	L	M	N	O	P	Q	R	S	T	U
10/90ARTMFL	10/90ARTMFC	31	22	4	9	1	9	14	3,5	9,2	M5x0,8p	25	M3x0,5p	24	18	18	23,3	24	29	30	3,5	3,5
10/180ARTMFL	10/180ARTMFC																					
10/270ARTMFL	10/270ARTMFC																					
15/90ARTMFL	15/90ARTMFC	36	25,7	5	12	1,5	10	18	4,5	10,5	M5x0,8p	29	M3x0,5p	28	22	24	27,3	29,5	34	35	3,5	3,5
15/180ARTMFL	15/180ARTMFC																					
15/270ARTMFL	15/270ARTMFC																					
20/90ARTMFL	20/90ARTMFC	44	33,6	6	14	1	10	20	5,5	13	M5x0,8p	36	M3x0,5p	28,5	21	30	28	30,5	42	44	4,5	4,2
20/180ARTMFL	20/180ARTMFC																					
20/270ARTMFL	20/270ARTMFC																					
30/90ARTMFL	30/90ARTMFC	52	47,5	8	16	2	12	22	7,5	18,5	M5x0,8p	42	M3x0,5p	32,5	24	34	30,8	34	47	51	5,5	5,5
30/180ARTMFL	30/180ARTMFC																					
30/270ARTMFL	30/270ARTMFC																					
40/90ARTMFL	40/90ARTMFC	64	53	10	25	3	22	30	-	14	M5x0,8p	52	M3x0,5p	34,5	26	34	33	36	47	64	5,5	5,5
40/180ARTMFL	40/180ARTMFC																					
40/270ARTMFL	40/270ARTMFC																					