

**MULTI-FIX** **Styemaanvullingen** by Almotion

**3/2 directional control valve | BG0**

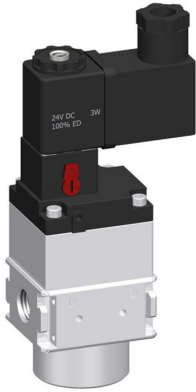


Image shows:  
9.4001.00.500

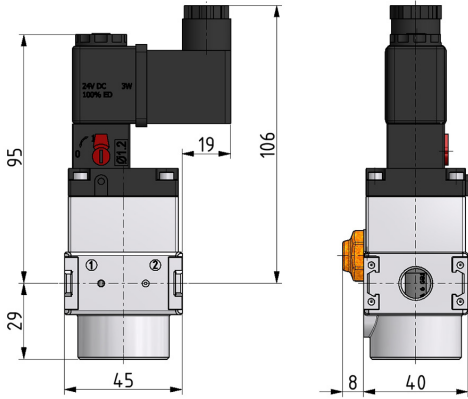


Image shows:  
9.4001.00.500

Service 3 unit

Service 2 unit

Filter regulator

Filter

Pressure regulator

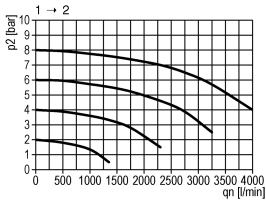
Lubricator

System extensions

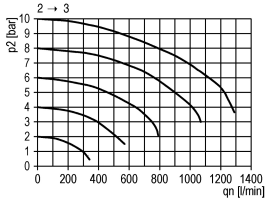
Accessories

Special products

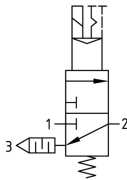
**flow characteristic**



**rear exhaust**



**symbol**



**technical data**

- **description:** 3/2 poppet valve
- **medium:** compressed air, neutral gases
- **supply pressure P1 min.:** 2 bar
- **supply pressure P1 max.:** 10 bar
- **temperature range:** 0 - 60°C
- **input signal:** 24V=
- **exhaust:** G 1/4
- **relative switch on duration:** 100%
- **capacity:** 4,8 W
- **protection class:** IP 65 according to DIN 40050
- **electrical connection:** socket coupling EN 175301-803, industrial design (included in scope of delivery)

**accessories**



- **coupling kit wall mounting:**  
[ZW.00-1](#)

type	part-number	description
S.01	9.4001.00.500	3/2 Directional control valve G1/4 electric operated 24V=
S.01	9.4001.00.510	3/2 Directional control valve G1/4 electric operated 230V/50Hz
S.01	9.4001.00.520	3/2 Directional control valve G1/4 electric operated 110V/50Hz
S.01	9.4001.00.530	3/2 Directional control valve G1/4 electric operated 24V/50Hz
S.01 I	9.4001.00.540	3/2 Directional control valve G1/4 pneumatic operated
S.01 C	9.4001.00.561	3/2 Directional control valve G1/4 with CNOMO adapter

## 3/2 directional control valve | BG1



Image shows:  
9.4011.500

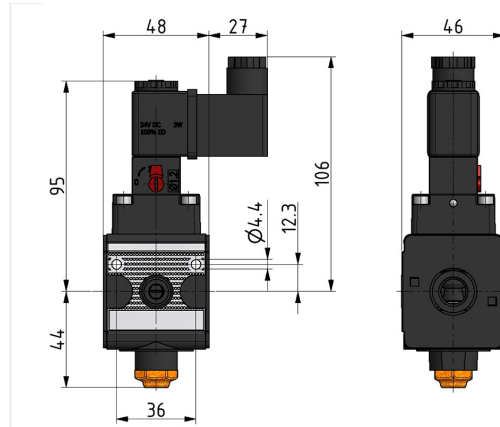
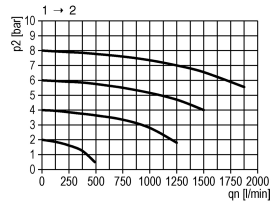
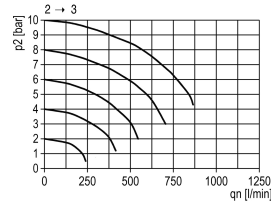


Image shows:  
9.4011.500

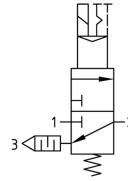
### flow characteristic



### rear exhaust



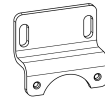
### symbol



### technical data

- **description:** 3/2 poppet valve
- **medium:** compressed air, neutral gases
- **supply pressure P1 min.:** 2 bar
- **supply pressure P1 max.:** 10 bar
- **temperature range:** 0 - 60°C
- **input signal:** 24V=
- **exhaust:** G 1/4
- **relative switch on duration:** 100%
- **capacity:** 4,8 W
- **protection class:** IP 65 according to DIN 40050
- **electrical connection:** socket coupling EN 175301-803, industrial design (included in scope of delivery)

### accessories



- **mounting bracket:** [ZW.11-1](#)

type	part-number	description
S.11	9.4011.500	3/2 Directional control valve G1/4 electric operated 24V=
S.11	9.4011.510	3/2 Directional control valve G1/4 electric operated 230V/50Hz
S.11	9.4011.520	3/2 Directional control valve G1/4 electric operated 110V/50Hz
S.11	9.4011.530	3/2 Directional control valve G1/4 electric operated 24V/50Hz
S.11 I	9.4011.540	3/2 Directional control valve G1/4 pneumatic operated
S.11 C	9.4011.561	3/2 Directional control valve G1/4 with CNOMO adapter

Service 3 unit

Service 2 unit

Filter regulator

Filter

Pressure regulator

Lubricator

System extensions

Accessories

Special products

## 3/2 directional control valve | BG3



Image shows:  
9.4033.500

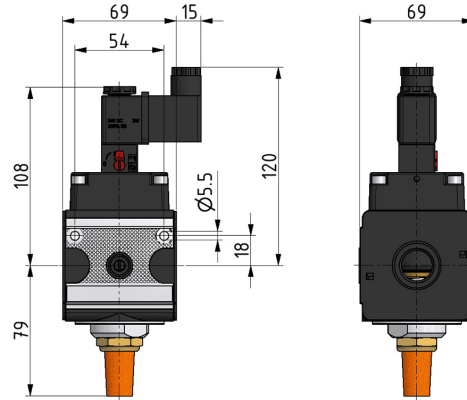
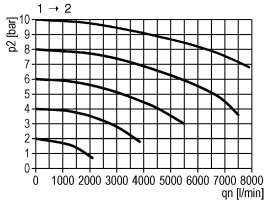
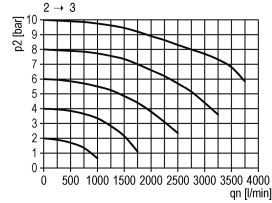


Image shows:  
9.4033.500

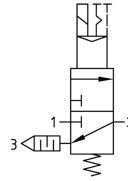
### flow characteristic



### rear exhaust



### symbol



### technical data

- **description:** 3/2 poppet valve
- **medium:** compressed air, neutral gases
- **supply pressure P1 min.:** 2 bar
- **supply pressure P1 max.:** 10 bar
- **temperature range:** 0 - 60°C
- **input signal:** 24V=
- **exhaust:** G 1/2
- **relative switch on duration:** 100%
- **capacity:** 4,8 W
- **protection class:** IP 65 according to DIN 40050
- **electrical connection:** socket coupling EN 175301-803, industrial design (included in scope of delivery)

### accessories



- **mounting bracket:** [ZW.33-1](#)

type	part-number	description
S.33	9.4033.500	3/2 Directional control valve G1/2 electric operated 24V=
S.33	9.4033.510	3/2 Directional control valve G1/2 electric operated 230V/50Hz
S.33	9.4033.520	3/2 Directional control valve G1/2 electric operated 110V/50Hz
S.33	9.4033.530	3/2 Directional control valve G1/2 electric operated 24V/50Hz
S.33 I	9.4033.540	3/2 Directional control valve G1/2 pneumatic operated
S.33 C	9.4033.561	3/2 Directional control valve G1/2 with CNOMO adapter

Service 3 unit

Service 2 unit

Filter regulator

Filter

Pressure regulator

Lubricator

System extensions

Accessories

Special products

## 3/2 directional control valve | BG5

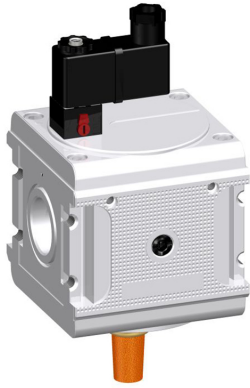


Image shows:  
9.4054.00.500

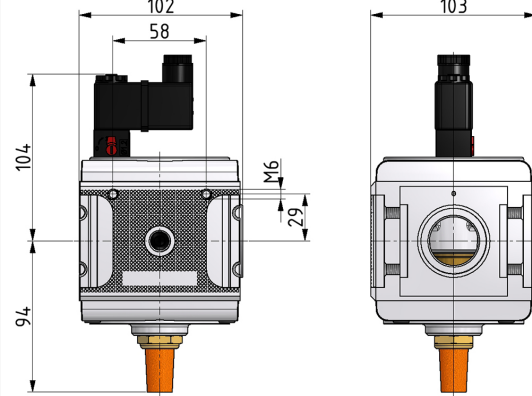
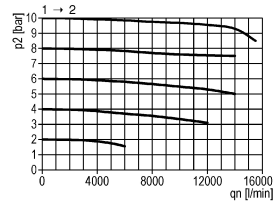
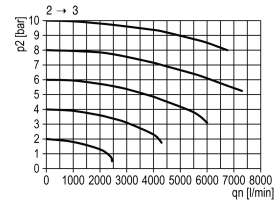


Image shows:  
9.4054.00.500

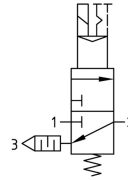
### flow characteristic



### rear exhaust



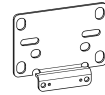
### symbol



### technical data

- **description:** 3/2 poppet valve
- **medium:** compressed air, neutral gases
- **supply pressure P1 min.:** 2 bar
- **supply pressure P1 max.:** 10 bar
- **temperature range:** 0 - 60°C
- **input signal:** 24V=
- **exhaust:** G 1/2
- **relative switch on duration:** 100%
- **capacity:** 4,8 W
- **protection class:** IP 65 according to DIN 40050
- **electrical connection:** socket coupling EN 175301-803, industrial design (included in scope of delivery)

### accessories



- mounting bracket: [ZW.55](#)

Service 3 unit

Service 2 unit

Filter regulator

Filter

Pressure regulator

Lubricator

System extensions

Accessories

Special products

	type	part-number	description
Service 3 unit	S.54	9.4054.00.500	3/2 Directional control valve G3/4 electric operated 24V=
	S.54	9.4054.00.510	3/2 Directional control valve G3/4 electric operated 230V/50Hz
	S.54	9.4054.00.520	3/2 Directional control valve G3/4 electric operated 110V/50Hz
	S.54	9.4054.00.530	3/2 Directional control valve G3/4 electric operated 24V/50Hz
Service 2 unit	S.54 I	9.4054.00.540	3/2 Directional control valve G3/4 pneumatic operated
	S.54 C	9.4054.00.561	3/2 Directional control valve G3/4 with CNOMO adapter
	S.55	9.4055.00.500	3/2 Directional control valve G1 electric operated 24V=
	S.55	9.4055.00.510	3/2 Directional control valve G1 electric operated 230V/50Hz
	S.55	9.4055.00.520	3/2 Directional control valve G1 electric operated 110V/50Hz
Filter regulator	S.55	9.4055.00.530	3/2 Directional control valve G1 electric operated 24V/50Hz
	S.55 I	9.4055.00.540	3/2 Directional control valve G1 pneumatic operated
	S.55 C	9.4055.00.561	3/2 Directional control valve G1 with CNOMO adapter
Filter			
Pressure regulator			
Lubricator			
<b>System extensions</b>			
Accessories			
Special products			

## Soft start valve | BGO

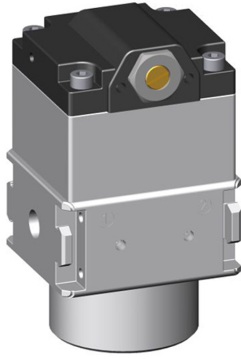


Image shows:  
9.4001.00.400

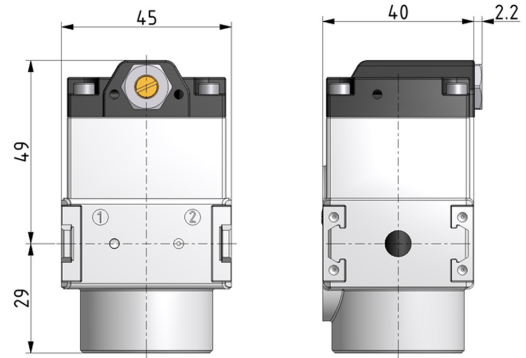
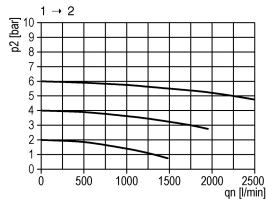
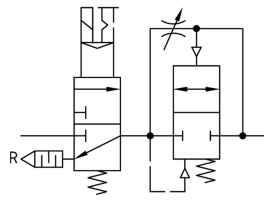


Image shows:  
9.4001.00.400

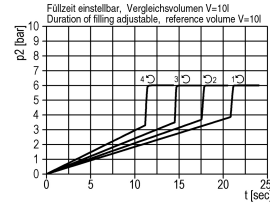
### flow characteristic



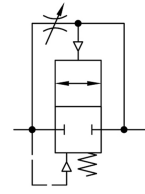
### operating conditions



### charging characteristics



### symbol



### technical data

- **description:** poppet valve, operated by secondary pressure
- **medium:** compressed air, neutral gases
- **supply pressure P1 min.:** 2,5 bar
- **supply pressure P1 max.:** 16 bar
- **temperature range:** 0 - 60°C
- **switching pressure:** 50% P1 (only for closed systems)

### accessories



- **coupling kit wall mounting:**  
[ZW.00-1](#)

### type

A.01 F

### part-number

9.4001.00.400

### description

Soft start valve G1/4 with adjustable throttle

Service 3 unit

Service 2 unit

Filter regulator

Filter

Pressure regulator

Lubricator

System extensions

Accessories

Special products

## Soft start valve | BG1

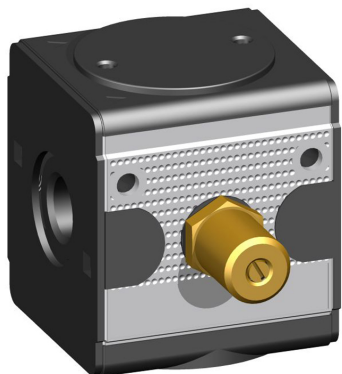


Image shows:  
9.4011.410

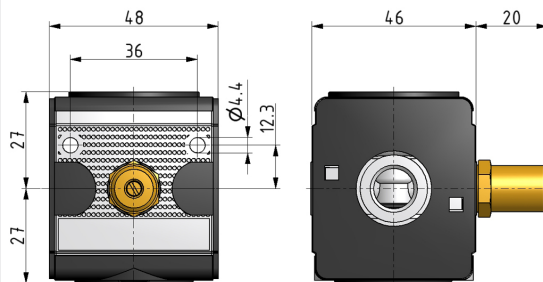
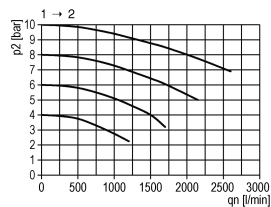
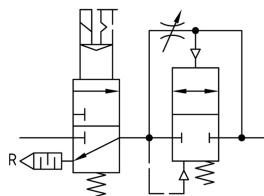


Image shows:  
9.4011.410

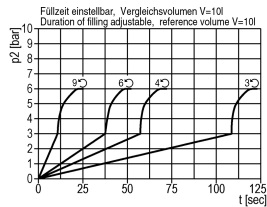
### flow characteristic



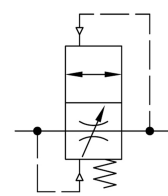
### operating conditions



### charging characteristics



### symbol



### technical data

- **description:** poppet valve, operated by secondary pressure
- **medium:** compressed air, neutral gases
- **supply pressure P1 min.:** 2 bar
- **supply pressure P1 max.:** 16 bar
- **temperature range:** 0 - 60°C
- **switching pressure:** 50% P1 (only for closed systems)

### accessories



- **mounting bracket:** [ZW.11-1](#)

### type

A.11 F

### part-number

9.4011.410

### description

Soft start valve G1/4 with adjustable throttle

## Soft start valve | BG3

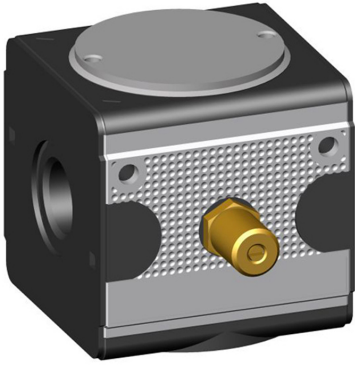


Image shows:  
9.4033.410

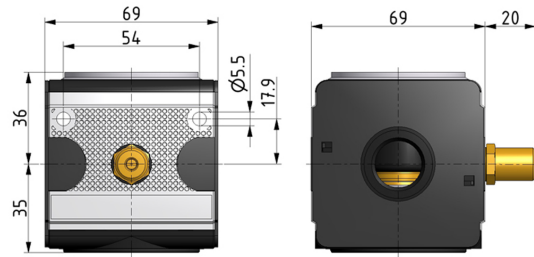
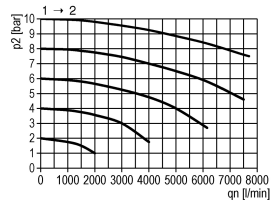
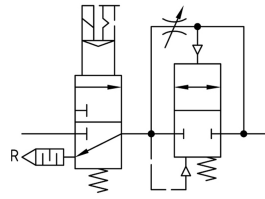


Image shows:  
9.4033.410

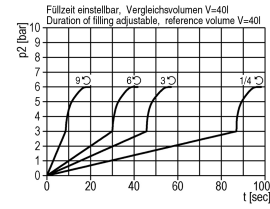
### flow characteristic



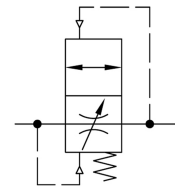
### operating conditions



### charging characteristics



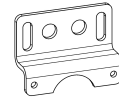
### symbol



### technical data

- **description:** poppet valve, operated by secondary pressure
- **medium:** compressed air, neutral gases
- **supply pressure P1 min.:** 2 bar
- **supply pressure P1 max.:** 16 bar
- **temperature range:** 0 - 60°C
- **switching pressure:** 50% P1 (only for closed systems)

### accessories



- **mounting bracket:** [ZW.33-1](#)

### type

A.33 F

### part-number

9.4033.410

### description

Soft start valve G1/2 with adjustable throttle

Service 3 unit

Service 2 unit

Filter regulator

Filter

Pressure regulator

Lubricator

System extensions

Accessories

Special products



## Soft start valve | BG5

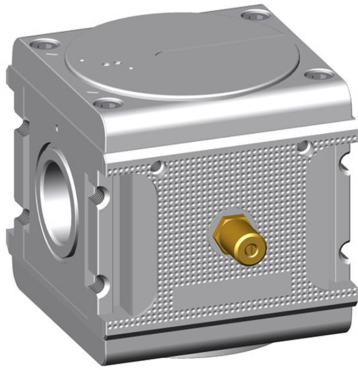


Image shows:  
9.4054.00.400

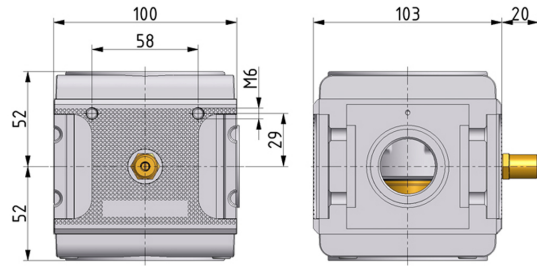
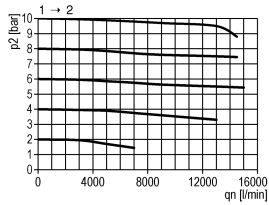
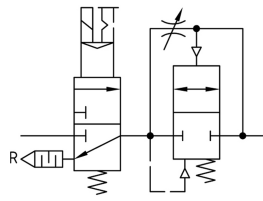


Image shows:  
9.4054.00.400

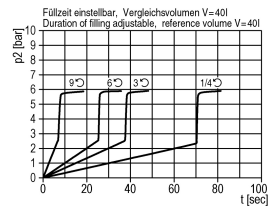
### flow characteristic



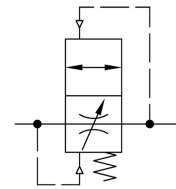
### operating conditions



### charging characteristics



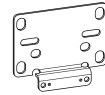
### symbol



### technical data

- **description:** poppet valve, operated by secondary pressure
- **medium:** compressed air, neutral gases
- **supply pressure P1 min.:** 2 bar
- **supply pressure P1 max.:** 16 bar
- **temperature range:** 0 - 60°C
- **switching pressure:** 50% P1 (only for closed systems)

### accessories



- **mounting bracket:** [ZW.55](#)

type	part-number	description
A.54 F	9.4054.00.400	Soft start valve G3/4 with adjustable throttle
A.55 F	9.4055.00.400	Soft start valve G1 with adjustable throttle

## Ball valve | BGO

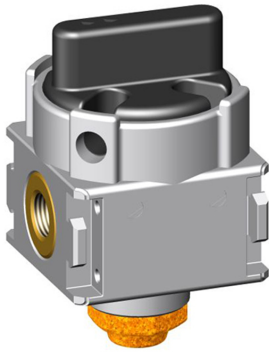


Image shows:  
9.4000.00.000/1

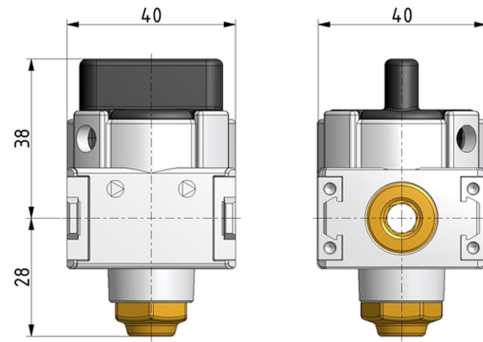
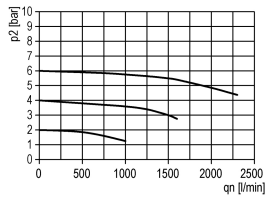
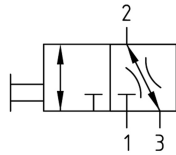


Image shows:  
9.4000.00.000/1

### flow characteristic



### symbol



### technical data

- **description:** 3/2 directional control valve, shut off for downstream air
- **medium:** compressed air, neutral gases
- **supply pressure P1 max.:** 16 bar
- **temperature range:** 0 - 60°C
- **locking:** lockable with padlock
- **exhaust:** G 1/4
- **operating:** knob can be turned 90°

### accessories



- coupling kit wall mounting:  
[ZW.00-1](#)

type	part-number	description
K.00	9.4000.00.000/1	Ball valve G1/8 with silencer
K.01	9.4001.00.000/1	Ball valve G1/4 with silencer

## Ball valve | BG1

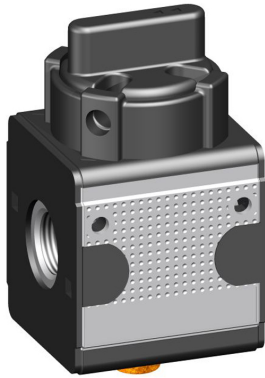


Image shows:  
9.4011.000/1

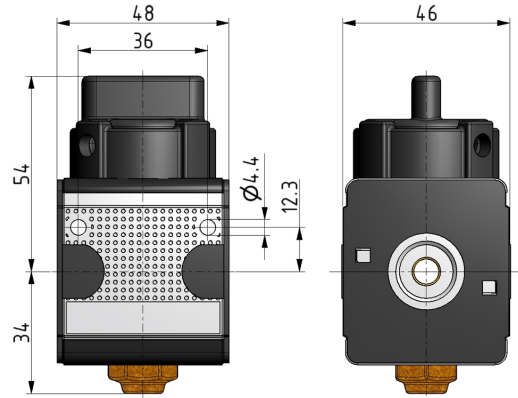
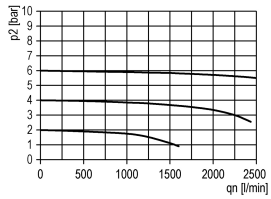
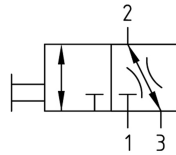


Image shows:  
9.4011.000/1

### flow characteristic



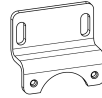
### symbol



### technical data

- **description:** 3/2 directional control valve, shut off for downstream air
- **medium:** compressed air, neutral gases
- **supply pressure P1 max.:** 16 bar
- **temperature range:** 0 - 60°C
- **locking:** lockable with padlock
- **exhaust:** G 1/4
- **operating:** knob can be turned 90°

### accessories



- mounting bracket: [ZW.11-1](#)

type	part-number	description
K.11	9.4011.000/1	Ball valve G1/4 with silencer
K.12	9.4012.000/1	Ball valve G3/8 with silencer

Service 3 unit

Service 2 unit

Filter regulator

Filter

Pressure regulator

Lubricator

System extensions

Accessories

Special products

## Ball valve | BG3

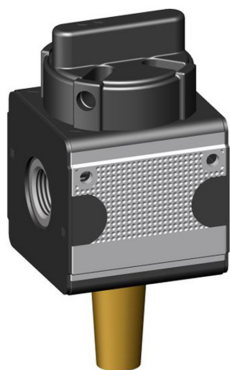


Image shows:  
9.4033.000/1

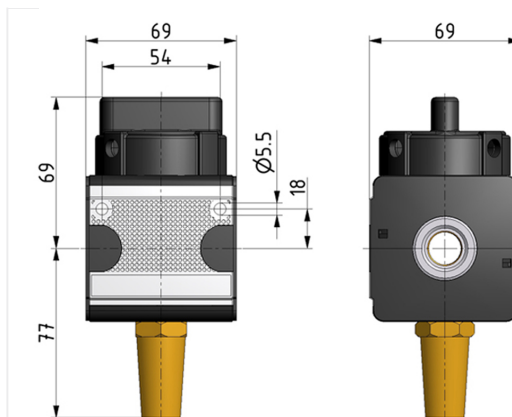
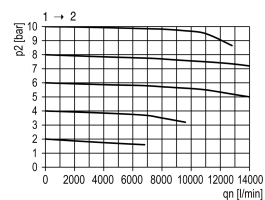
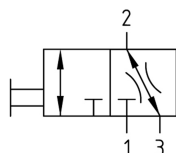


Image shows:  
9.4033.000/1

### flow characteristic



### symbol



### technical data

- **description:** 3/2 directional control valve, shut off for downstream air
- **medium:** compressed air, neutral gases
- **supply pressure P1 max.:** 16 bar
- **temperature range:** 0 - 60°C
- **locking:** lockable with padlock
- **exhaust:** G 1/2
- **operating:** knob can be turned 90°

### accessories



- mounting bracket: [ZW.33-1](#)

type	part-number	description
K.33	9.4033.000/1	Ball valve G1/2 with silencer
K.34	9.4034.000/1	Ball valve G3/4 with silencer

Service 3 unit

Service 2 unit

Filter regulator

Filter

Pressure regulator

Lubricator

System extensions

Accessories

Special products

## Ball valve | BG5

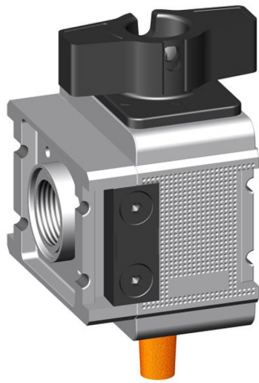


Image shows:  
9.4054.00.000/1

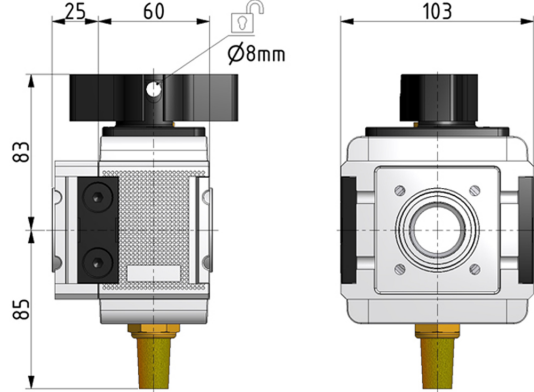
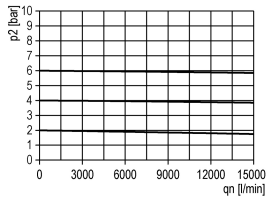
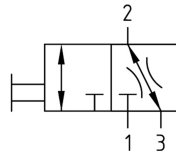


Image shows:  
9.4054.00.000/1

### flow characteristic



### symbol



### technical data

- **description:** 3/2 directional control valve, shut off for downstream air
- **medium:** compressed air, neutral gases
- **supply pressure P1 max.:** 16 bar
- **temperature range:** 0 - 60°C
- **locking:** lockable with padlock
- **exhaust:** G 1/2
- **operating:** knob can be turned 90°

### accessories



- **connecting plate:** [AP.54](#) (G 3/4) and [AP.55](#) (G 1)

type	part-number	description
K.54 AP	9.4054.00.000/1	Ball valve G3/4 with 1x connection plate and silencer
K.54 2AP	9.4054.00.001/1	Ball valve G3/4 with 2x connection plate and silencer
K.55 AP	9.4055.00.000/1	Ball valve G1 with 1x connection plate and silencer
K.55 2AP	9.4055.00.001/1	Ball valve G1 with 2x connection plate and silencer
K.5-	9.4055.00.002	Ball valve without connection plate

Service 3 unit

Service 2 unit

Filter regulator

Filter

Pressure regulator

Lubricator

System extensions

Accessories

Special products

## Distributor small | BGO

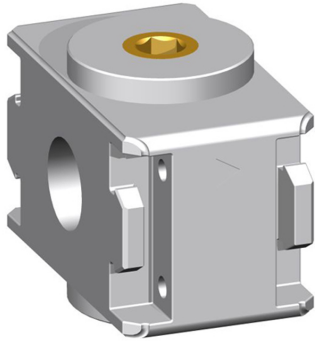


Image shows:  
9.4001.00.300

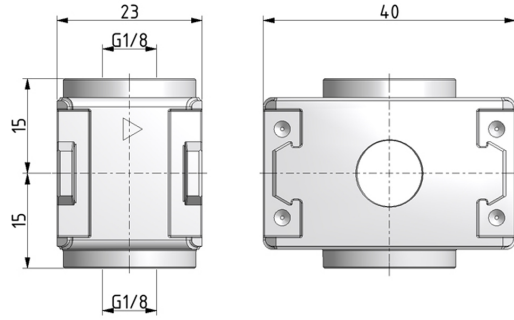
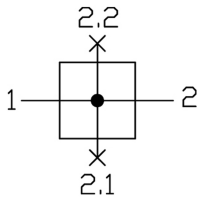


Image shows:  
9.4001.00.300

### symbol



### technical data

- **description:** distribution manifold block
- **medium:** compressed air, neutral gases
- **supply pressure P1 max.:** 16 bar
- **temperature range:** 0 - 60°C
- **flow rate 1 => 2:** 2700 l/min
- **flow rate below 1 => 2.1:** Qn = 1300 l/min (at P1 = 6 bar,  $\Delta p = 1$  bar)
- **flow rate top 1 => 2.2:** Qn = 1300 l/min (at P1 = 6 bar,  $\Delta p = 1$  bar)

### accessories



- P/E Wandler: [PE.310](#)

### type

Z.01

### part-number

9.4001.00.300

### description

Distributor small G1/4

Service 3 unit

Service 2 unit

Filter regulator

Filter

Pressure regulator

Lubricator

System extensions

Accessories

Special products

## Distributor small | BG1



Image shows:  
9.4011.00.300

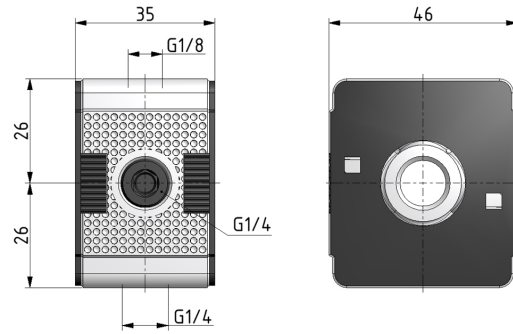
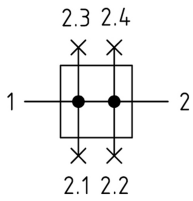


Image shows:  
9.4011.00.300

### symbol



### technical data

- **description:** cross manifold (manifold block)
- **medium:** compressed air, neutral gases
- **supply pressure P1 max.:** 16 bar
- **temperature range:** 0 - 60°C
- **flow rate 1 => 2:** 3300 l/min
- **flow rate below 1 => 2.1:** Qn = 2300 l/min (at P1 = 6 bar, Δp = 1 bar)
- **flow rate top 1 => 2.2:** Qn = 1100 l/min (at P1 = 6 bar, Δp = 1 bar)
- **flow rate front 1 => 2.3:** Qn = 2300 l/min (at P1 = 6 bar, Δp = 1 bar)
- **flow rate back 1 => 2.4:** Qn = 2300 l/min (at P1 = 6 bar, Δp = 1 bar)

### accessories



- Druckschalter: [PE.10](#)

type	part-number	description
Z.11	9.4011.00.300	Distributor small G1/4

Service 3 unit

Service 2 unit

Filter regulator

Filter

Pressure regulator

Lubricator

System extensions

Accessories

Special products

## Distributor small | BG3



Image shows:  
9.4033.00.300

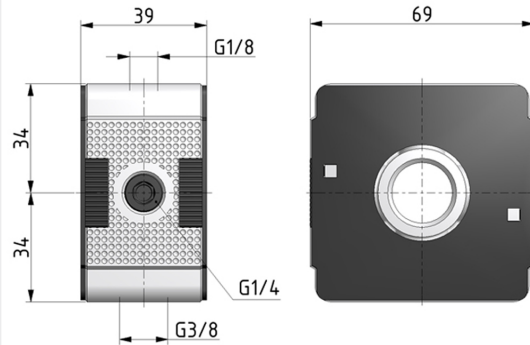
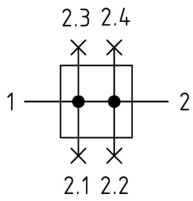


Image shows:  
9.4033.00.300

### symbol



### technical data

- **description:** cross manifold (manifold block)
- **medium:** compressed air, neutral gases
- **supply pressure P1 max.:** 16 bar
- **temperature range:** 0 - 60°C
- **flow rate 1 => 2:** 11000 l/min
- **flow rate below 1 => 2.1:** Qn = 3450 l/min (at P1 = 6 bar, Δp = 1 bar)
- **flow rate top 1 => 2.2:** Qn = 1400 l/min (at P1 = 6 bar, Δp = 1 bar)
- **flow rate front 1 => 2.3:** Qn = 3100 l/min (at P1 = 6 bar, Δp = 1 bar)
- **flow rate back 1 => 2.4:** Qn = 3100 l/min (at P1 = 6 bar, Δp = 1 bar)

### accessories



- Druckschalter: [PE\\_10](#)

### type

Z.33

### part-number

9.4033.00.300

### description

Distributor small G1/2

Service 3 unit

Service 2 unit

Filter regulator

Filter

Pressure regulator

Lubricator

System extensions

Accessories

Special products



## Distributor small | BG5

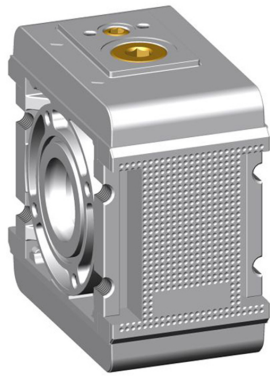


Image shows:  
9.4055.00.300

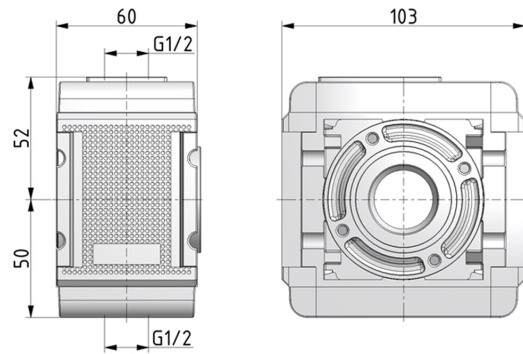
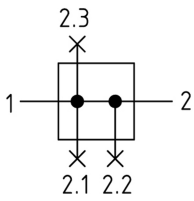


Image shows:  
9.4055.00.300

### symbol



### technical data

- **description:** cross manifold (manifold block)
- **medium:** compressed air, neutral gases
- **supply pressure P1 max.:** 20 bar
- **temperature range:** 0 - 60°C
- **flow rate 1 => 2:** 25000 l/min
- **flow rate below 1 => 2.1:** Qn = 10000 l/min (at P1 = 6 bar,  $\Delta p = 1$  bar)
- **flow rate top 1 => 2.2:** Qn = 600 l/min + 10000 l/min (at P1 = 6 bar,  $\Delta p = 1$  bar)

### accessories



- Druckschalter: [PE.10](#)



- einseitige Anschlussplatte:  
[AP.54](#) (G 3/4) oder [AP.55](#) (G 1)



- beidseitige Anschlussplatten:  
[AP.54](#) (G 3/4) oder [AP.55](#) (G 1)

### type

Z.5-

### part-number

9.4055.00.300

### description

Distributor small G1 without connection plate

## Distributor | BG1



Image shows:  
9.4011.200

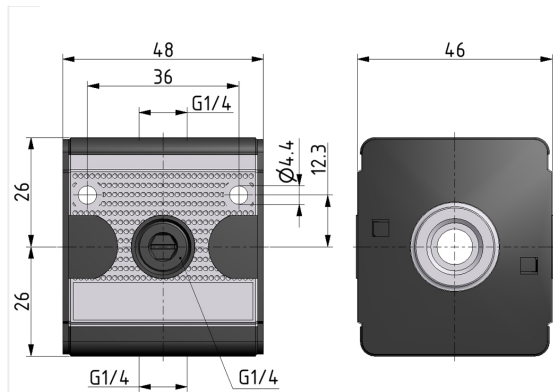
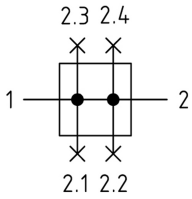


Image shows:  
9.4011.200

### symbol



### technical data

- **description:** air distribution block (manifold block)
- **medium:** compressed air, neutral gases
- **supply pressure P1 max.:** 16 bar
- **temperature range:** 0 - 60°C
- **flow rate 1 => 2:** 2500 l/min
- **flow rate below 1 => 2.1:** Qn = 2000 l/min (at P1 = 6 bar, Δp = 1 bar)
- **flow rate top 1 => 2.2:** Qn = 2000 l/min (at P1 = 6 bar, Δp = 1 bar)
- **flow rate front 1 => 2.3:** Qn = 900 l/min (at P1 = 6 bar, Δp = 1 bar)
- **flow rate back 1 => 2.4:** Qn = 900 l/min (at P1 = 6 bar, Δp = 1 bar)

### accessories



- **mounting bracket:** [ZW.11-1](#)

type	part-number	description
T.11	9.4011.200	Distributor G1/4
T.12	9.4012.200	Distributor G3/8

## Distributor | BG3

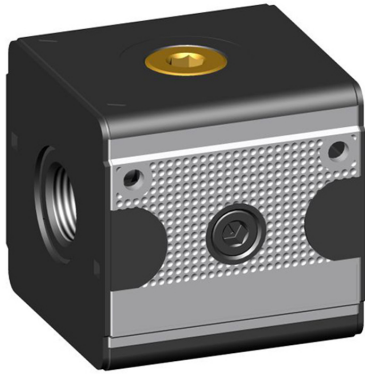


Image shows:  
9.4033.200

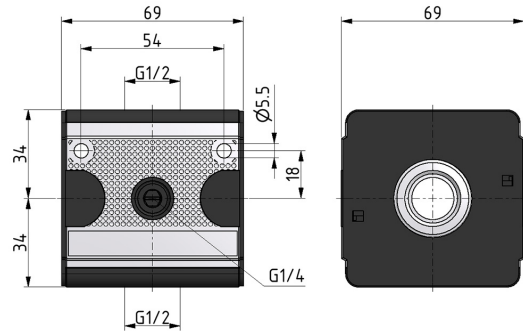
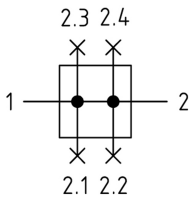


Image shows:  
9.4033.200

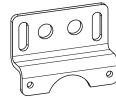
### symbol



### technical data

- **description:** air distribution block (manifold block)
- **medium:** compressed air, neutral gases
- **supply pressure P1 max.:** 16 bar
- **temperature range:** 0 - 60°C
- **flow rate 1 => 2:** 11000 l/min
- **flow rate below 1 => 2.1:** Qn = 8750 l/min (at P1 = 6 bar, Δp = 1 bar)
- **flow rate top 1 => 2.2:** Qn = 8750 l/min (at P1 = 6 bar, Δp = 1 bar)
- **flow rate front 1 => 2.3:** Qn = 1300 l/min (at P1 = 6 bar, Δp = 1 bar)
- **flow rate back 1 => 2.4:** Qn = 1300 l/min (at P1 = 6 bar, Δp = 1 bar)

### accessories



- **mounting bracket:** [ZW.33-1](#)

type	part-number	description
T.33	9.4033.200	Distributor G1/2
T.34	9.4034.200	Distributor G3/4

Service 3 unit

Service 2 unit

Filter regulator

Filter

Pressure regulator

Lubricator

System extensions

Accessories

Special products

## Non return valve | BG1



Image shows:  
9.4011.100

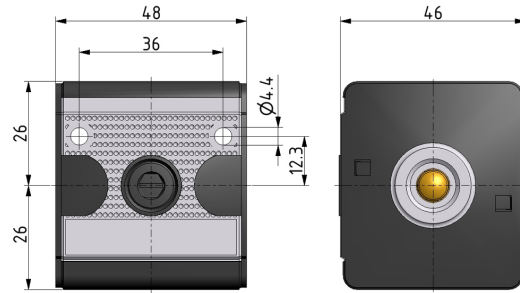
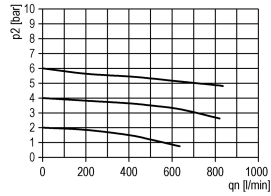
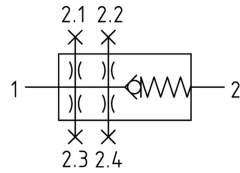


Image shows:  
9.4011.100

### flow characteristic



### symbol



### technical data

- **description:** poppet valve, spring loaded
- **medium:** compressed air, neutral gases
- **supply pressure P1 min.:** 0,1 bar
- **supply pressure P1 max.:** 16 bar
- **temperature range:** 0 - 60°C
- **flow rate 1 => 2:** 700 l/min
- **flow rate below 1 => 2.1:** Qn = 675 l/min (at P1 = 6 bar, Δp = 1 bar)
- **flow rate top 1 => 2.2:** Qn = 675 l/min (at P1 = 6 bar, Δp = 1 bar)
- **flow rate front 1 => 2.3:** Qn = 450 l/min (at P1 = 6 bar, Δp = 1 bar)
- **flow rate back 1 => 2.4:** Qn = 450 l/min (at P1 = 6 bar, Δp = 1 bar)

### accessories



- **mounting bracket:** [ZW.11-1](#)

type	part-number	description
V.11	9.4011.100	Non return valve G1/4
V.12	9.4012.100	Non return valve G3/8

## Non return valve | BG3

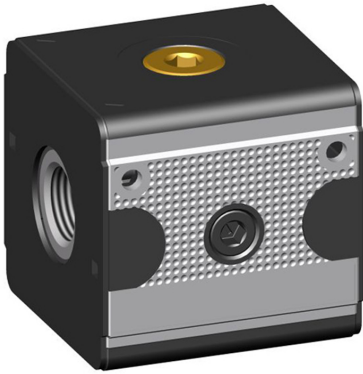


Image shows:  
9.4033.100

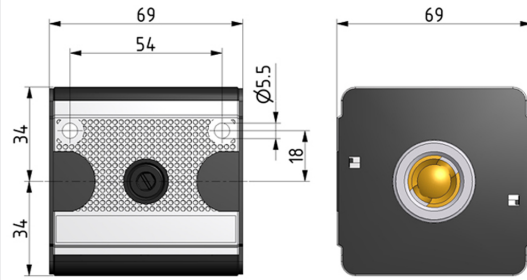
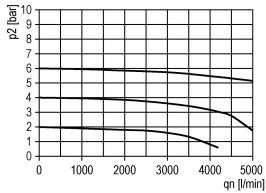
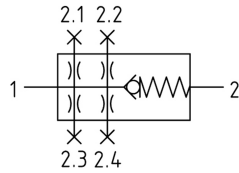


Image shows:  
9.4033.100

### flow characteristic



### symbol



### technical data

- **description:** poppet valve, spring loaded
- **medium:** compressed air, neutral gases
- **supply pressure P1 min.:** 0,1 bar
- **supply pressure P1 max.:** 16 bar
- **temperature range:** 0 - 60°C
- **flow rate 1 => 2:** 6000 l/min
- **flow rate below 1 => 2.1:** Qn = 2400 l/min (at P1 = 6 bar, Δp = 1 bar)
- **flow rate top 1 => 2.2:** Qn = 2400 l/min (at P1 = 6 bar, Δp = 1 bar)
- **flow rate front 1 => 2.3:** Qn = 1020 l/min (at P1 = 6 bar, Δp = 1 bar)
- **flow rate back 1 => 2.4:** Qn = 1020 l/min (at P1 = 6 bar, Δp = 1 bar)

### accessories



- **mounting bracket:** [ZW.33-1](#)

type	part-number	description
V.33	9.4033.100	Non return valve G1/2
V.34	9.4034.100	Non return valve G3/4

Service 3 unit

Service 2 unit

Filter regulator

Filter

Pressure regulator

Lubricator

System extensions

Accessories

Special products