

**Precision regulator with continuous pressure supply**

**FUTURA-SERIES**

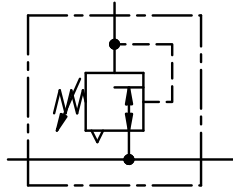
Typ	KPRB-114/*	KPRB-138/*
<b>Kenngroßen</b>		
port size	G 1/4	G 3/8
description	diaphragm-type pressure regulator with secondary air exhaust	
medium	compressed air, neutral gases	
mounting	arbitrary	
medium- and ambient temperature	max. 50 °C	
supply pressure	Pe max. 16 bar	
reduced pressure <span style="border: 1px solid black; padding: 0 2px;">3</span>	0,5-8 bar Standard 0,1-1 bar, 0,1-2 bar, 0,2-4 bar, 0,5-10 bar, 0,5-16 bar	
local air consumption	2,6 l/min at P2 = 6 bar	
fixing	control panel installation, mounting bracket, wall mounting	
weight	0,292 kg	



Technical modifications keep on reserve!

**parts** 🔧 ( Service-Kit: ESA.1-1310 )

no.	designation		material	order-no.
1	spring cage	BG1	POM	---
2	setting knob	FH.1-625	POM	---
3	spring	FED.1-703	galvanised steel	---
4	diaphragm	MEM.1	brass-NBR-PA6	☞
5	valve cone	C.11-79	brass-NBR	☞
6	o-ring 32x2,5	OR.0-1	NBR	☞
7	spring	FED.1-720	stainless steel	---
8	cover	DE.1-300	POM	---



**series 1**

**ordering information**

**KPRB - \*\*\* / \* \***

type		<span style="border: 1px solid black; padding: 0 2px;">2</span> accessories
<span style="border: 1px solid black; padding: 0 2px;">1</span> port size		<span style="border: 1px solid black; padding: 0 2px;">3</span> reduced pressure

**ordering example: KPRB-138/8 G**

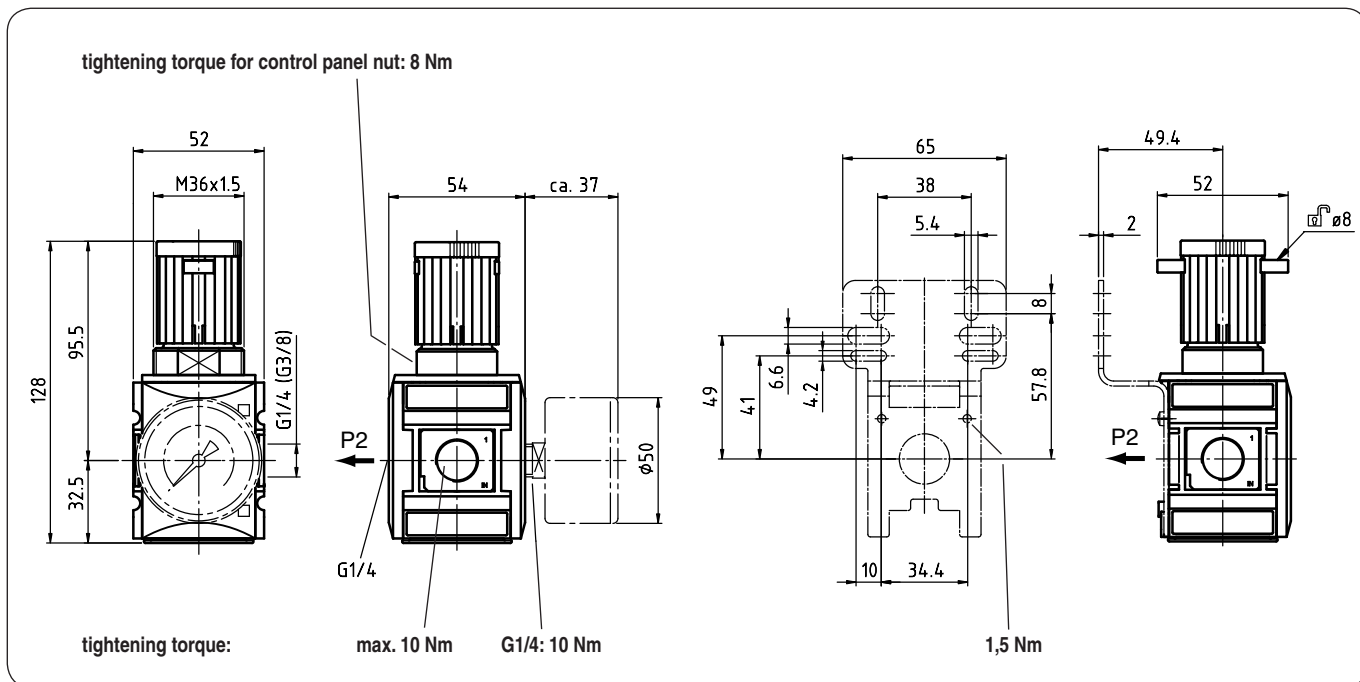
<b>1</b>	<b>port size</b>	
	114	G 1/4
	138	G 3/8
	1N14	1/4-18 NPTF
	1N38	3/8-18 NPTF
<b>2</b>	<b>accessories</b> (see reverse side)	
	S	control panel nut
	G	gauge ø50
<b>3</b>	<b>reduced pressure</b> (see item table)	
	e.g. 8	0,5 - 8 bar

page: KPRB-1 (03/08)

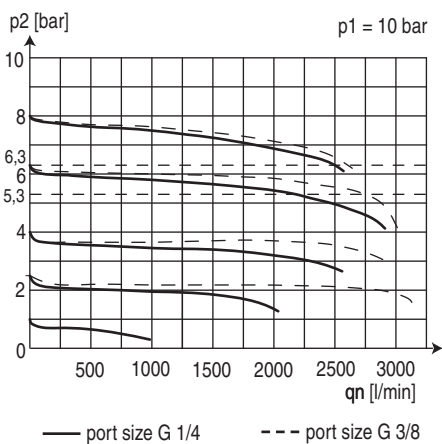
**application information**

- Setting knob can be locked by pressing downwards
- Regulator head lockable
- interlocking of several individual devices requires coupling kit(s) KOP.1

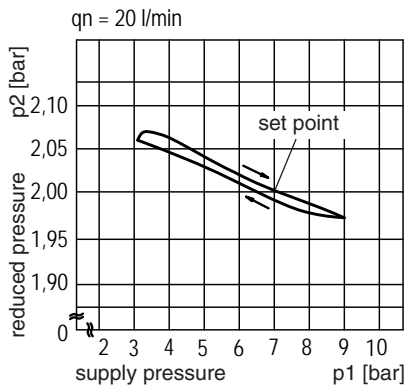
## dimensions (mm)



## flow characteristic

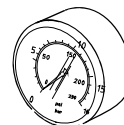


## pressure characteristic



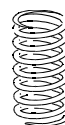
## accessories 2

### gauge



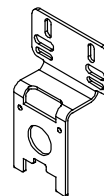
type: G 50.2,5 R  
G 50.4 R  
G 50.6 R  
G 50.10 R  
G 50.16  
G 50.25 R

### spring



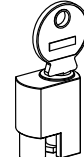
type:  
0,1- 1: FED.1-700  
0,1- 2: FED.1-701  
0,2- 4: FED.1-702  
0,5- 8: FED.1-703  
0,5-10: FED.1-704  
0,5-16: FED.1-705

### mounting bracket with screws



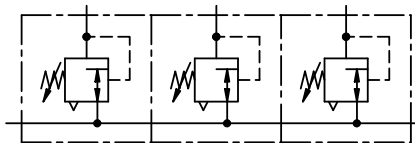
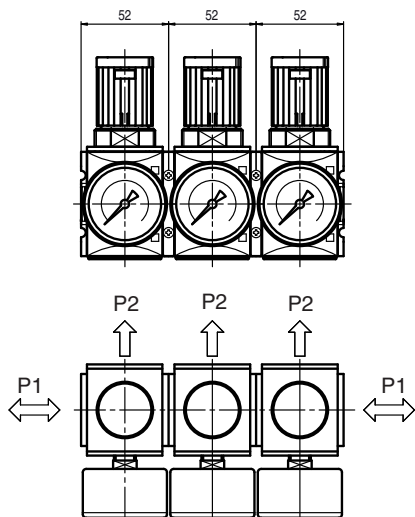
type: BW.1-1225

### rotary lock

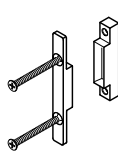


type:  
VH.32 with key  
VH.31 without key

## area of application

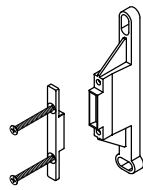


### coupling kit



type: KOP.1

### coupling kit wall mounting



type: KOP.1W

### mounting bracket for panel mounting



type: BW.1-1227

### control panel nut M 36 x 1,5



type: SM.1