

Precision regulator with continuous pressure supply

FUTURA-SERIES

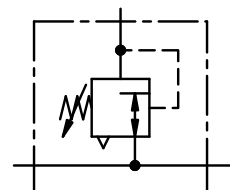
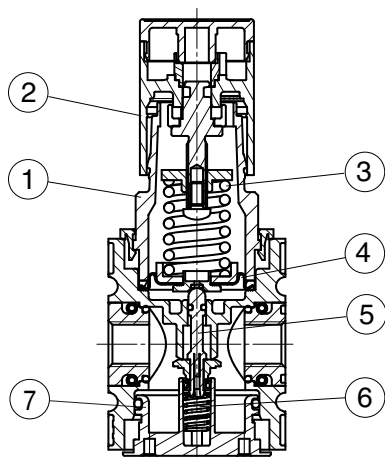
Typ	KPRB-238/*	KPRB-212/*
Kenngrößen		
port size	G 3/8	G 1/2
description	diaphragm-type pressure regulator with secondary air exhaust	
medium	compressed air, neutral gases	
mounting	arbitrary	
medium- and ambient temperature	max. 50 °C	
supply pressure	Pe max. 16 bar	
reduced pressure 3	0,5-8 bar Standard 0,1-1 bar, 0,1-2 bar, 0,2-4 bar, 0,5-10 bar, 0,5-16 bar	
local air consumption	2,6 l/min at P2 = 6 bar	
fixing	control panel installation, mounting bracket, wall mounting	
weight	0,540 kg	

*Innovation
2008!*



material: Grivory (PA66) / IXEF1022

Technical modifications keep on reserve!



series 2

ordering information

KPRB - * / * ***

type

1 port size

2 accessories

3 reduced pressure

ordering example: KPRB-212/8 G

parts

(Service-Kit: ESA.2-1310)

no.	designation		material	order-no.
1	spring cage	FH.2-600	POM	---
2	setting knob	FH.2-625	POM	---
3	spring	FED.2-703	galvanised steel	---
4	diaphragm	C.22-75	brass-NBR-PA6	
5	valve cone	VK.2-422	brass-NBR	
6	o-ring 37,5x2,5	OR.0-5	NBR	
7	spring	FED.2-720	stainless steel	---
8	cover	DE.2-300	POM	---

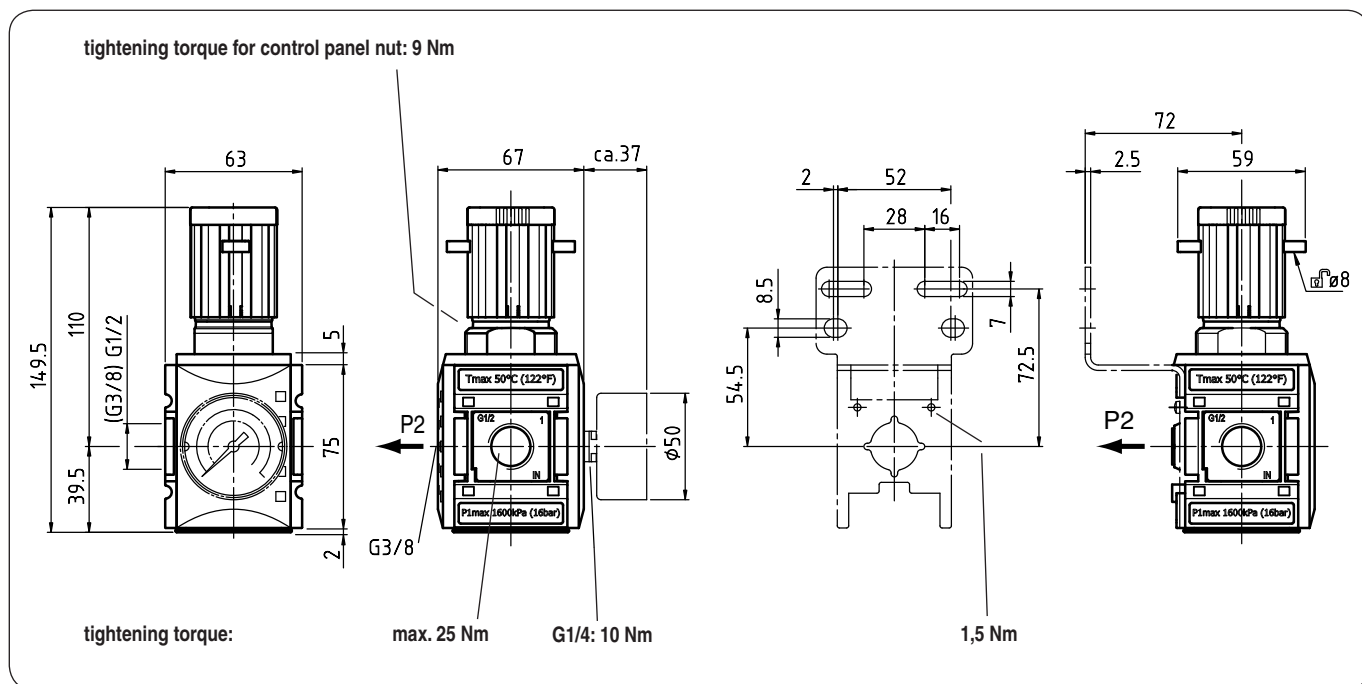
application information

- Setting knob can be locked by pressing downwards
- Regulator head lockable
- interlocking of several individual devices requires coupling kit(s) KOP.2

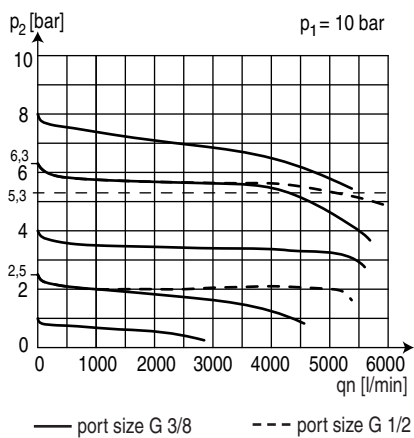
1	port size	
	238	G 3/8
	212	G 1/2
	2N38	3/8-18 NPTF
	2N12	1/2-14 NPTF
2	accessories (see reverse side)	
	S	control panel nut
	G	gauge ø50
3	reduced pressure (see item table)	
	e.g. 8	0,5 - 8 bar

page: KPRB-2 (03/08)

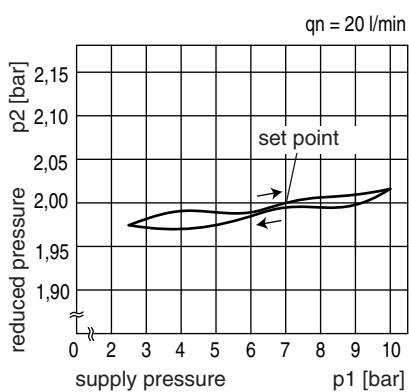
dimensions (mm)



flow characteristic

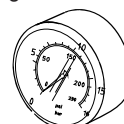


pressure characteristic



accessories 2

gauge



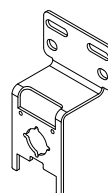
type: G 50.2,5 R
G 50.4 R
G 50.6 R
G 50.10 R
G 50.16
G 50.25 R

spring



type:
0,1- 1: FED.2-700
0,1- 2: FED.2-701
0,2- 4: FED.2-702
0,5- 8: FED.2-703
0,5-10: FED.2-704
0,5-16: FED.2-705

mounting bracket with screws



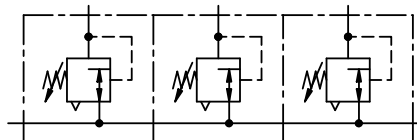
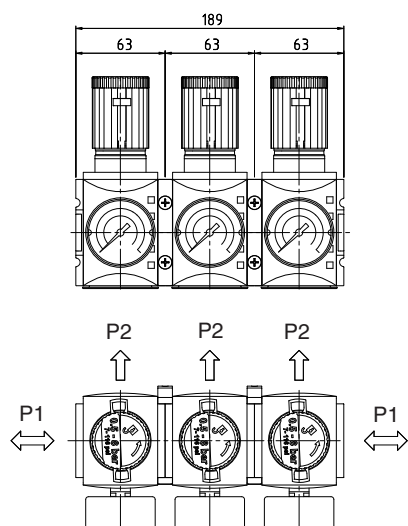
type: BW.2-1225

rotary lock

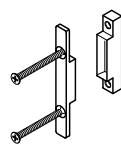


type:
VH.32 with key
VH.31 without key

area of application

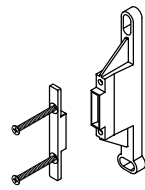


coupling kit



type: KOP.2

coupling kit wall mounting



type: KOP.2W

mounting bracket for panel mounting



type: BW.2-1227

control panel nut M 36 x 1,5



type: SM.2