

Regulator

FUTURA-SERIES

item	type	KREG-114/* G	KREG-138/* G
port size		G 1/4	G 3/8
description		diaphragm-type pressure regulator with secondary air exhaust	
medium		compressed air, neutral gases	
mounting		arbitrary	
medium- and ambient temperature		max. 50 °C	
supply pressure		Pe max. 16 bar	
reduced pressure 3		0,5-8 bar standard 0,1-1 bar, 0,1-2 bar, 0,2-4 bar, 0,5-10 bar, 0,5-16 bar	
fixing		control panel installation, mounting bracket, wall mounting	
weight		0,292 kg	



Technical modifications keep on reserve!

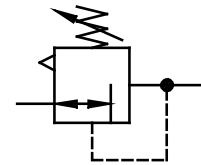
parts (Service-Kit: ESA.1-1310)

no.	designation		material	order-no.
1	spring cage	BG1	POM	---
2	setting knob	FH.1-625	POM	---
3	spring	FED.1-703	galvanised steel	---
4	diaphragm	MEM.1	brass-NBR-PA6	ES
5	valve cone	C.11-79	brass-NBR	ES
6	o-ring 32 x 2,5	OR.0-1	NBR	ES
7	spring	FED.1-720	stainless steel	---
8	cover	DE.1-300	POM	---

page: KREG-1 (01/09)

application information

- Setting knob can be locked by pressing downwards
- Regulator head lockable
- interlocking of several individual devices requires coupling kit(s) KKOP.1



series 1

ordering information

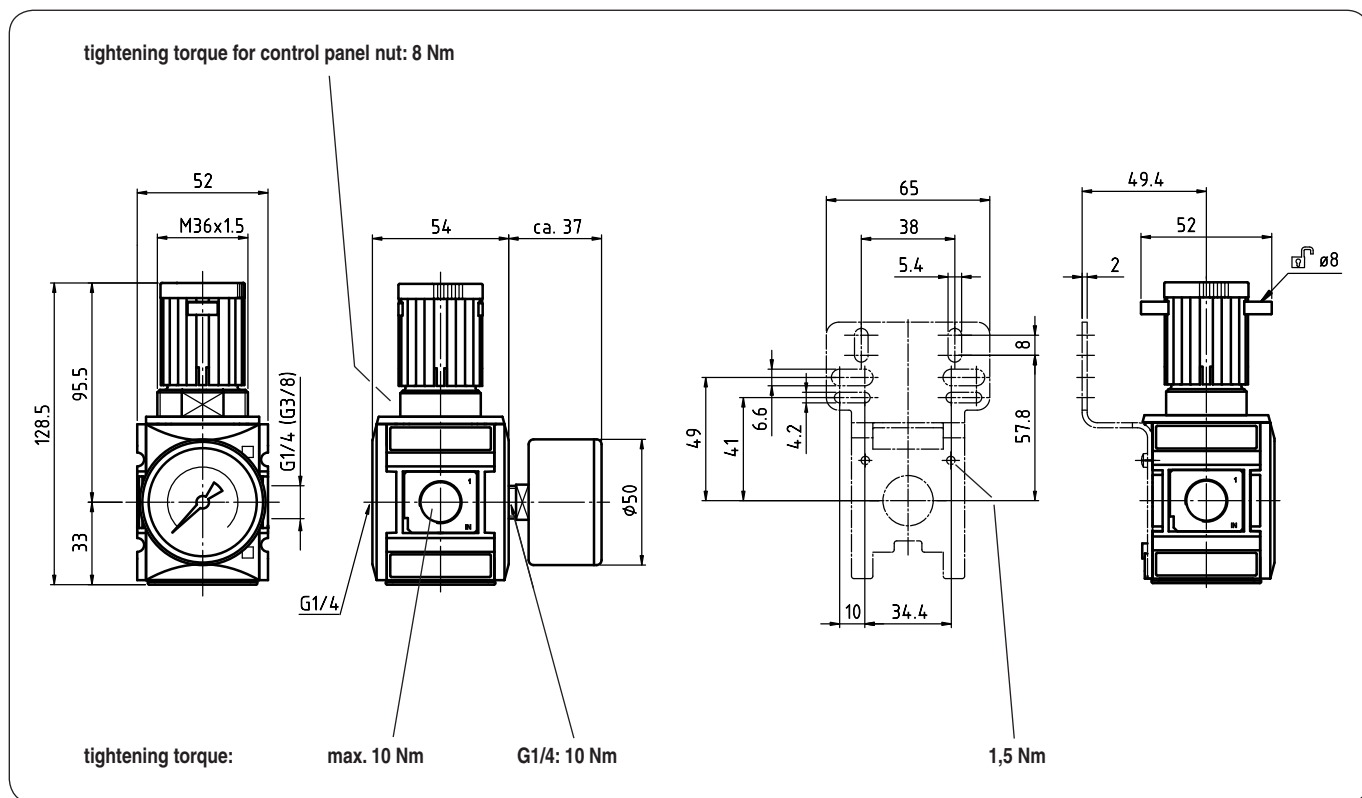
KREG - * / * ***

type		2 accessories
1 port size		3 reduced pressure

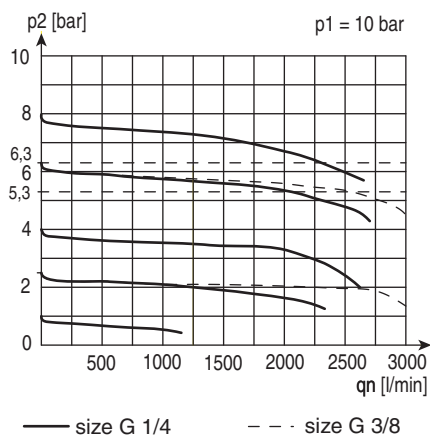
ordering example: KREG-138/8 G

1	port size	
	114	G 1/4
	138	G 3/8
	114 NPT	1/4-18 NPT
	138 NPT	3/8-18 NPT
2	accessories (see reverse side)	
	S	control panel nut
3	reduced pressure (see item table)	
	e.g. 8	0,5 - 8 bar

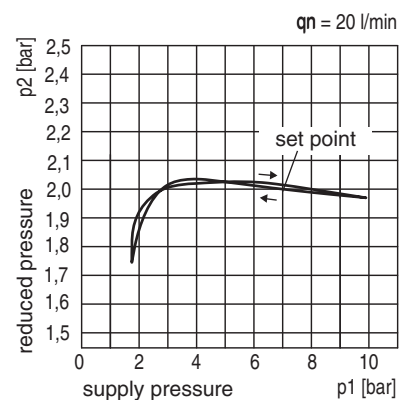
dimensions (mm)



flow characteristic



pressure characteristic



accessories 2

