

Regulator

FUTURA-SERIES

item	type	KREG-238/* G	KREG-212/* G
port size		G 3/8	G 1/2
description		diaphragm-type pressure regulator with secondary air exhaust	
medium		compressed air, neutral gases	
mounting		arbitrary	
medium- and ambient temperature		max. 50 °C	
supply pressure		Pe max. 16 bar	
reduced pressure 3		0,5-8 bar standard 0,1-1 bar, 0,1-2 bar, 0,2-4 bar, 0,5-10 bar, 0,5-16 bar	
fixing		control panel installation, mounting bracket, wall mounting	
weight		0,540 kg	



Technical modifications keep on reserve!

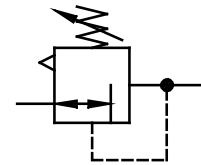
parts (Service-Kit: ESA.2-1310)

no.	designation		material	order-no.
1	spring cage	FH.2-600	POM	---
2	setting knob	FH.2-625	POM	---
3	spring	FED.2-703	galvanised steel	---
4	diaphragm	C.22-75	brass-NBR-PA6	ES
5	valve cone	VK.2-420	brass-NBR	ES
6	o-ring 37,5 x 2,5	OR.0-5	NBR	ES
7	spring	FED.2-720	stainless steel	---
8	cover	DE.2-300	POM	---

page: KREG-2 (01/09)

application information

- Setting knob can be locked by pressing downwards
- Regulator head lockable
- interlocking of several individual devices requires coupling kit(s) KKOP.2



series 2

ordering information

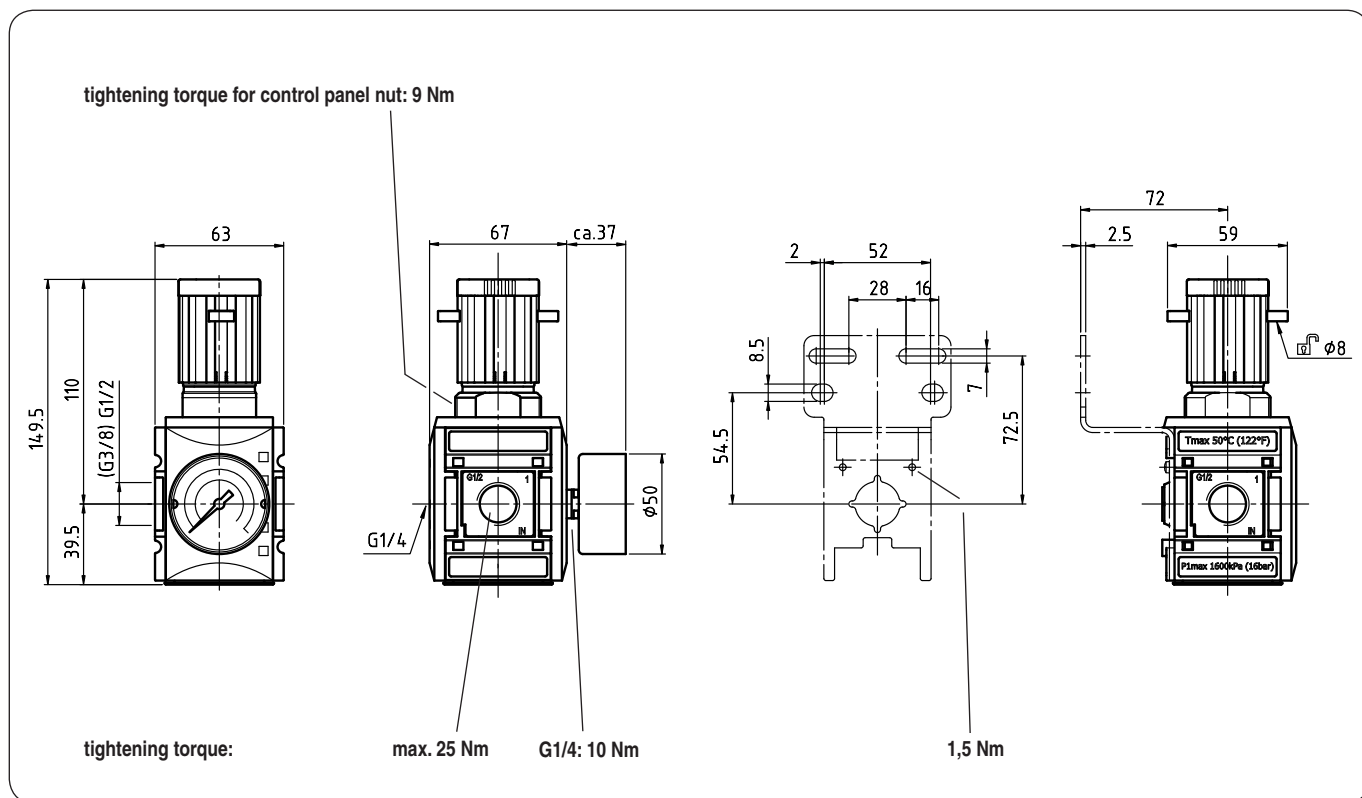
KREG - * / * ***

type		2 accessories
1 port size		3 reduced pressure

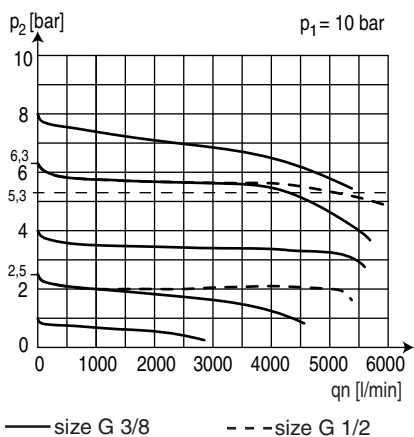
ordering example: KREG-212/8 G

1	port size	
	238	G 3/8
	212	G 1/2
	238 NPT	3/8-18 NPT
	212 NPT	1/2-14 NPT
2	accessories (see reverse side)	
	S	control panel nut
3	reduced pressure (see item table)	
	e.g. 8	0,5 - 8 bar

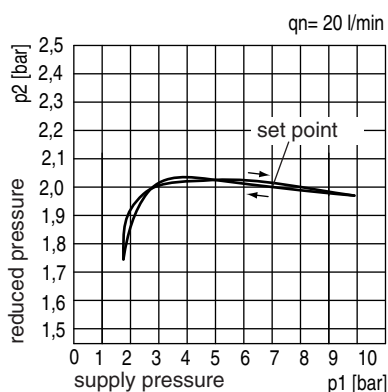
dimensions (mm)



flow characteristic



pressure characteristic



accessories 2

