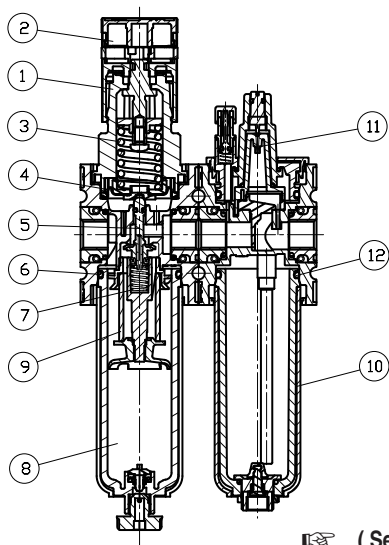


Service unit 2 part assemblies

FUTURA-SERIES

item	type	KS2U-114/* G	KS2U-138/* G
port size		G 1/4	G 3/8
description		sinter filter centrifugal principle diaphragm-type pressure regulator with secondary air exhaust lubricator with automatic oil filling	
medium		compressed air, neutral gases	
mounting		vertical	
medium- and ambient temperature		max. 50 °C	
supply pressure		Pe max. 16 bar Pe min. 1,5 bar semi-automatic and fully automatic drain	
filter element		5 µm standard	
bowl volume		filter-regulator: 28 cm³, lubricator: 40 cm³	
drain model		semi-automatic	
reduced pressure [3]		0,5 - 8 bar, 0,1-1 bar, 0,1-2 bar, 0,2-4 bar, 0,5-10 bar, 0,5-16 bar	
oil metering qv=1000l/min		1 - 2 drops / min	
oil type		CL 32 nach DIN 51517 - ISO VG 32	
fixing		control panel installation, mounting bracket, wall mounting	
weight		0,633 kg	



parts

(Service-Kit: ESA.1-1311)

no.	designation	material	order-no.	
1	spring cage	BG1	POM	---
2	setting knob	FH.1-625	POM	---
3	spring	FED.1-703	galvanised steel	---
4	membrane	MEM.1	brass-NBR-PA6	
5	valve cone	C.11-79	brass-NBR	
6	o-ring 32 x 2,5	OR.0-1	NBR	
7	spring	FED.1-720	stainless steel	---
8	condensate bowl	BE.1 HA4	plycarbonate	90001.0200
9	filter element 5µm	C.00-26	cellpor	5.2100.26.000
10	bowl	BE.1 LUB	plycarbonate	90001.0202
11	dome assembly	ESA-1-1312	plycarbonate	99901.1312
12	o-ring 32 x 2,5	OR.0-1	NBR	

application information

- Filter transmittance according to ISO 4003, glass bead test
- Setting knob can be locked by pressing downwards
- Regulator head lockable
- Can be filled with oil during operation

series 1

ordering information

KS2U - *** / * *

type [2] accessories

[1] port size [3] reduced pressure

ordering example: KS2U-114/8 AM G

[1] port size	
114	G 1/4
138	G 3/8
114 NPT	1/4-18 NPT
138 NPT	3/8-18 NPT
[2] accessories (see reverse side)	
S	control panel nut
H	metal bowl with level indicator
AM	fully automatic drain pressureless open
AM NC	fully automatic drain pressureless closed
[3] reduced pressure (see item table)	
e.g. 8	0,5 - 8 bar

Technical modifications keep on reserve!

page: KS2U-1 (01/09)

