

Service unit 2 part assemblies

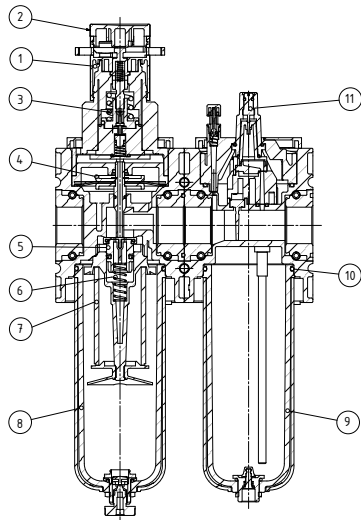
FUTURA-SERIES

item	type	KS2U-434/* G	KS2U-41/* G
port size		G 3/4	G 1
description		sinter filter centrifugal principle diaphragm-type pressure regulator with secondary air exhaust lubricator with automatic oil filling	
medium		compressed air, neutral gases	
mounting		vertical	
medium- and ambient temperature		max. 50 °C	
supply pressure		Pe max. 16 bar Pe min. 1,5 bar semi-automatic and fully automatic drain	
filter element		5 µm standard	
bowl volume		filter-regulator: 87 cm ³ , lubricator: 181 cm ³	
drain model		semi-automatic	
reduced pressure [3]		0,5 - 8 bar, 0,1-1 bar, 0,1-2 bar, 0,2-4 bar, 0,5-10 bar, 0,5-16 bar	
oil metering qv=1000l/min		1 - 2 drops / min	
oil type		CL 32 nach DIN 51517 - ISO VG 32	
fixing		control panel installation, mounting bracket, wall mounting	
weight		1,827 kg	



material: Grivory (PA66) / IXEF1022

Technical modifications keep on reserve!



parts

(Service-Kit: ESA)

no.	designation		material	order-no.
1	spring cage	BG4	POM	---
2	setting knob	FH.2-615	POM	---
3	spring	FED.4-703	galvanised steel	---
4	membrane	MEM.4	brass-NBR-PA6	
5	valve cone	VK.4-400	brass-NBR	
6	spring	FED.4-720	stainless steel	---
7	filter element 5µm	FE.4-560	Cellpor	70004.0560
8	condensate bowl	BE.4 HA	polycarbonate	80004.0200
9	bowl	BE.4 LUB	polycarbonate	80004.0202
10	o-ring 32x2,5	OR.0-9	NBR	10020.0009
11	dome assembly	ESA-1-1312	polycarbonate	99901.1312

application information

- Filter transmittance according to ISO 4003, glass bead test
- Setting knob can be locked by pressing downwards
- Regulator head lockable
- Can be filled with oil during operation



series 1

ordering information

KS2U - *** / * *

type

[1] port size

[2] accessories

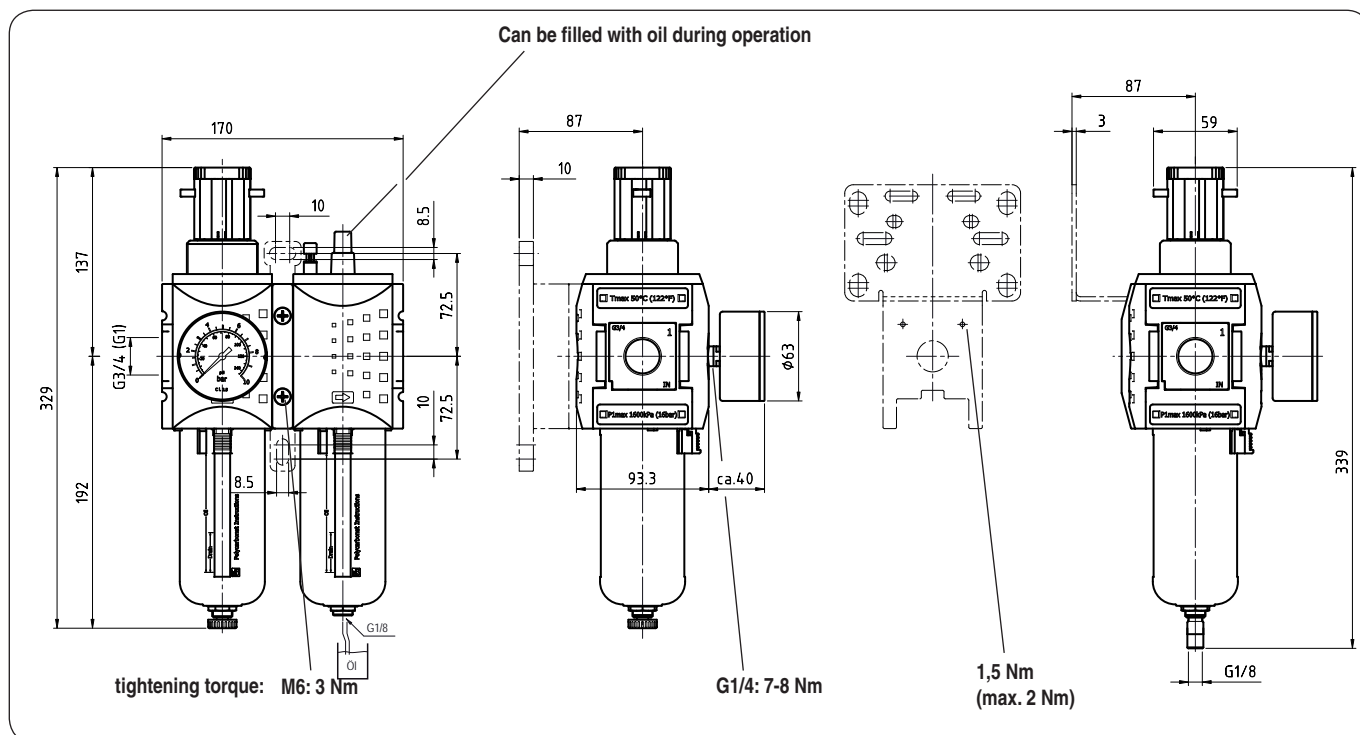
[3] reduced pressure

ordering example: KS2U-434/8 AM G

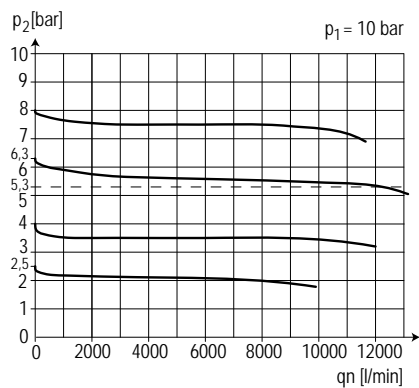
[1] port size	
434	G 3/4
41	G 1
434 NPT	3/4 - 14 NPT
41 NPT	1 - 11 1/2 NPT
[2] accessories (see reverse side)	
H	metal bowl with level indicator
AM	fully automatic drain pressureless open
AM NC	fully automatic drain pressureless closed
[3] reduced pressure (see item table)	
e.g. 8	0,5 - 8 bar

page: KS2U-4 (01/09)

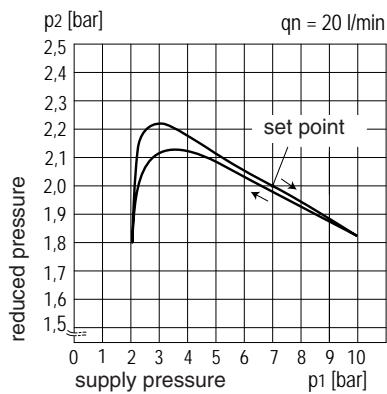
dimensions (mm)



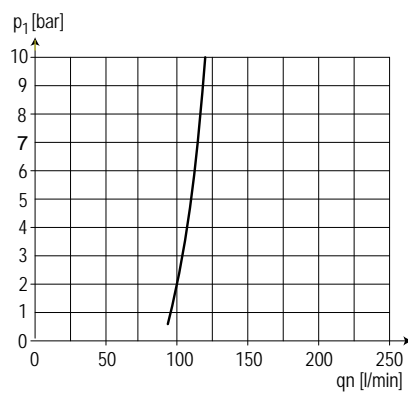
flow characteristic



pressure characteristic



lubricator operating limit



accessories 2

