

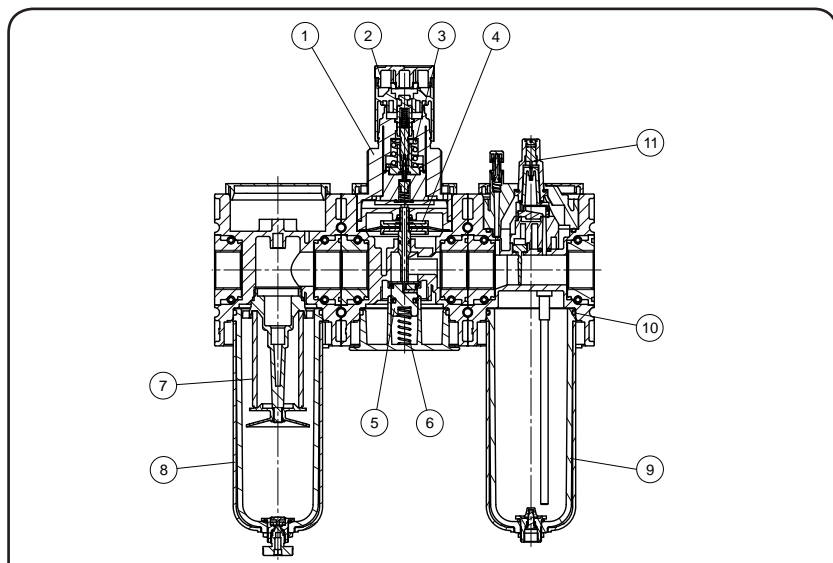
Service unit 3 part assemblies

FUTURA-SERIES

item	type	KS3U-434/* G	KS3U-438/* G
port size		G 3/4	G 1
description		sinter filter, centrifugal principle, Diaphragm-type pressure regulator with secondary air exhaust, Lubricator with automatic oil filling	
medium		compressed air, neutral gases	
mounting		vertical	
medium- and ambient temperature		max. 50 °C	
supply pressure		Pe max. 16 bar Pe min. 1,5 bar semi-automatic and fully automatic drain	
filter element		5 µm Standard	
bowl volume		filter: 87 cm ³ , lubricator: 181 cm ³	
drain model		semi-automatic	
reduced pressure	3	0,5 - 8 bar, 0,1-1 bar, 0,1-2 bar, 0,2-4 bar, 0,5-10 bar, 0,5-16 bar	
oil metering qv=1000 l/min		1 - 2 drops / min	
oil type		CL 32 standardized to DIN 51517 - ISO VG 32	
fixing		control panel installation, mounting bracket, wall mounting	
weight		2,678 kg	



Technical modifications keep on reserve!



parts (Service-Kit:)

no.	designation		material	order-no.
1	spring cage	BG4	POM	---
2	setting knob	FH.2-615	POM	---
3	spring	FED.4-703	galvanised steel	---
4	membrane	MEM.4	brass-NBR-PA6	
5	valve cone	VK.4-400	brass-NBR	
6	spring	FED.4-720	stainless steel	---
7	filter element 5µm	FE.4-560	Cellpor	70004.0560
8	condensate bowl	BE.4 HA	polycarbonate	80004.0200
9	bowl	BE.4 LUB	polycarbonate	80004.0202
10	o-ring 32x2,5	OR.0-9	NBR	10020.0009
11	dome assembly	ESA-1-1312	polycarbonate	99901.1312

application information

- Filter transmittance according to ISO 4003, glass bead test
- Setting knob can be locked by pressing downwards
- Regulator head lockable
- Can be filled with oil during operation



series 4

ordering information

KS3U - *** / * *

type

2 accessories

1 port size

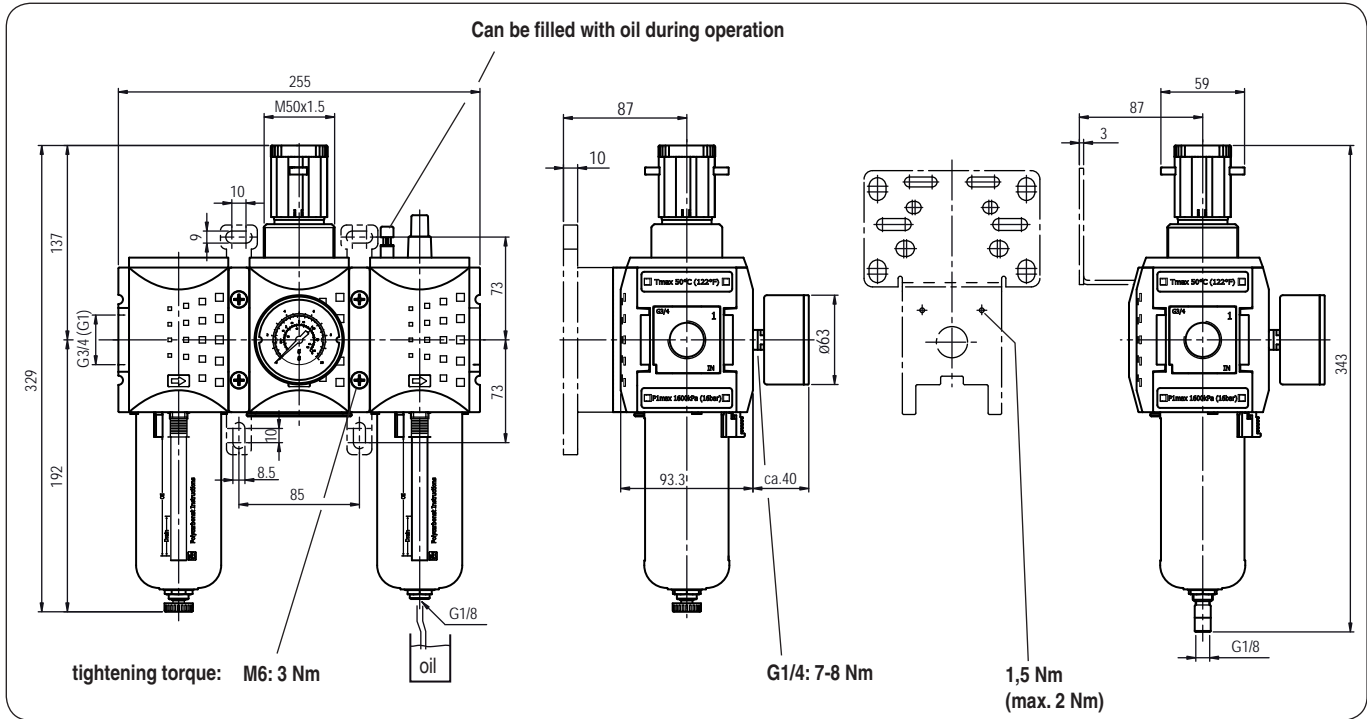
3 reduced pressure

ordering example: KS3U-434/8 AM G

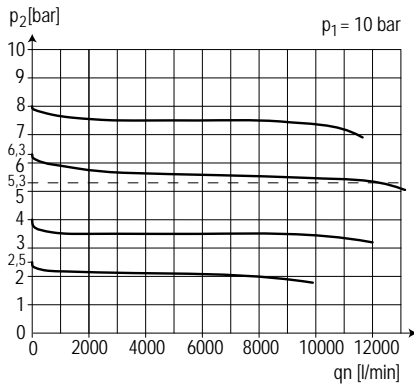
1	port size	
	434	G 3/4
	41	G 1
	434 NPT	3/4 - 14 NPT
	41 NPT	1 - 11 1/2 NPT
2	accessories (see reverse side)	
	H	metal bowl with level indicator
	AM	fully automatic drain pressureless open
	AM NC	fully automatic drain pressureless closed
3	reduced pressure (see item table)	
	e.g. 8	0,5 - 8 bar

page: KS3U-4 (01/09)

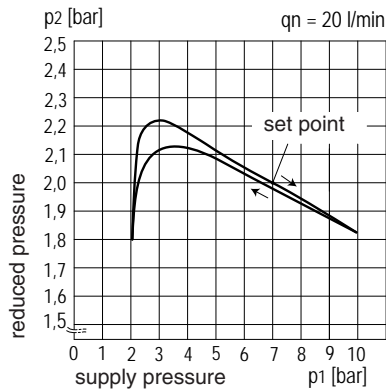
dimensions (mm)



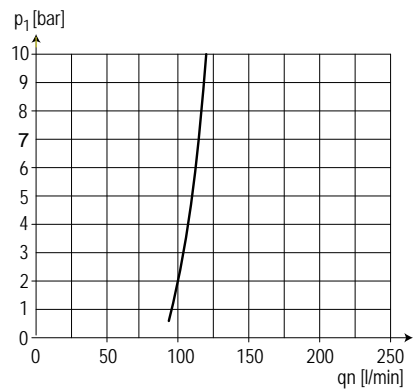
flow characteristic



pressure characteristic

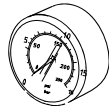


lubricator operating limit



accessories 2

gauge



type: G 63.6 R
G 63.10 R
G 63.16 R
G 63.25 R

spring



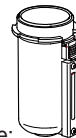
type:
0,1- 1: FED.4-700
0,1- 2: FED.4-701
0,2- 4: FED.4-702
0,5- 8: FED.4-703
0,5-10: FED.4-704
0,5-16: FED.4-705

automatic drain



type: AM 10
AM 10 NC

metal bowl with level indicator



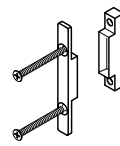
type:
BE.4 H HA
BE.4 H AM
BE.4 H AM NC

lock



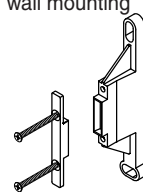
type:
VH.32 with key
VH.31 without key E11

coupling kit



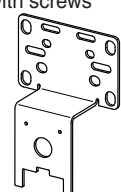
type: KKOP.4

coupling kit wall mounting



type: KKOP.4W

mounting bracket with screws



type: KBW.4-1225