

# Mounting Accessories for Cylinders

## Bearings - Bearing heads

### Standard executions

Version	Symbol	Type
With female thread		RF..SE



### Options

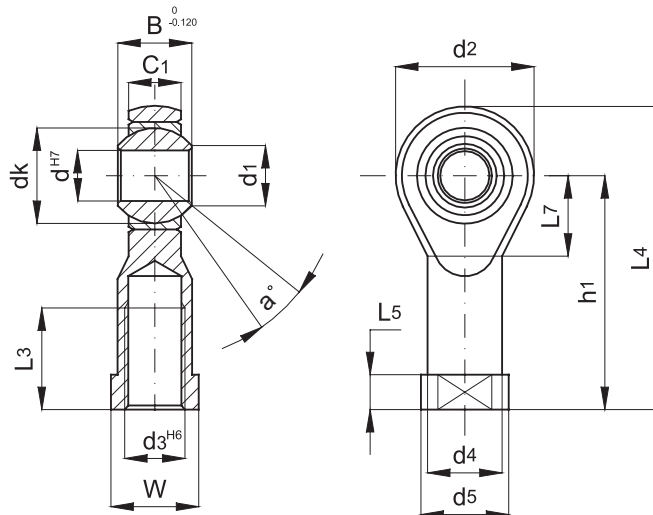
Options	Suffix
With male thread	RM..SE
With female thread (big pitch)	G
With left thread	S

The options can be combined (when this is possible).

Self-lubricating bearing heads servicing-free and conforming to DIN 648-K and ISO 8139 standards. The bearing head is mounted on the cylinder rod.

Technical data	
Temperature range	-30 °C ÷ +150 °C
Materials	Body: Zinc / nickel plated steel Sphere: Hardened ground polished steel External ring: Self-lubricating brass/ PTFE

Type: **RF..SE**



Code	Item	For cylin. ISO Ø mm	d	d <sub>3</sub>	B	C <sub>1</sub>	d <sub>1</sub>	d <sub>2</sub>	d <sub>4</sub>	d <sub>5</sub>	dk	h <sub>1</sub>	L <sub>3</sub>	L <sub>4</sub>	L <sub>5</sub>	L <sub>7</sub>	W	Static load (daN)	a°	Weight (g)
041551	RF4SE	8-10	5	M4	8	6	7,7	18	9	11	11,112	27	10	36	4	10	9	600	13	19
041552	RF6SE	12-16	6	M6	9	6,75	8,9	20	10	13	12,700	30	12	40	5	11	11	700	13	26
041553	RF8SE	20	8	M8	12	9	10,4	24	12,50	16	15,875	36	16	48	5	13	14	1200	14	46
041554	RF10SE	25-32	10	M10x1,25	14	10,50	12,9	28	15	19	19,050	43	20	57	6,5	15	17	1400	13	75
041555	RF12SE	40	12	M12x1,25	16	12	15,4	32	17,50	22	22,225	50	22	66	6,5	17	19	1900	13	112
041557	RF16SE	50-63	16	M16x1,5	21	15	19,3	42	22	27	28,575	64	28	85	8	23	22	4800	15	220
041559	RF20SE	80-100	20	M20x1,5	25	18	24,3	50	27,50	34	34,925	77	33	102	10	27	30	5200	14	406
041562	RF30SE	125	30	M27x2	37	25	34,8	70	40	50	50,800	110	51	145	15	36	41	10800	17	1120
041563	RF35SE	160-200	35	M36x2	43	28	37,7	80	46	58	57,150	125	56	165	17	41	50	12400	19	1595
041571	RF40SE	250	40	M42x2	49	33	45,2	91	53	65	66,670	142	60	187,5	19	45	55		17	
041572	RF50SE	320	50	M48x2	60	45	56,6	117	65	75	82,500	160	65	218,5	23	58	65		12	

