

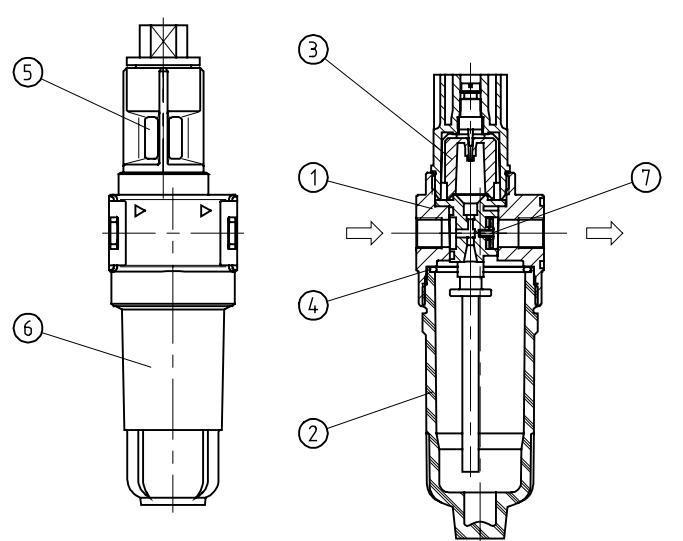
Micro-lubricator

MULTI-FIX SERIE

| item | type | L.00 | L.01 |
|------------------------------------|------|---|-------|
| port size | | G 1/8 | G 1/4 |
| description | | micro-lubricator | |
| mounting | | vertically | |
| medium | | compressed air, neutral gases | |
| supply pressure | | Pe max. 16 bar, Pe max. 20 bar with metal bowl | |
| medium and ambient temperature | | max. 60°C (oth. temperature ranges available upon request) | |
| bowl volume | | 35 cm ³ | |
| oil dosage rate when qv=1000 l/min | | 10-20 drops/min (determining factor) | |
| kind of oil | | CL 32 standardized to DIN 51517 - ISO VG 32 | |
| fixing | | install in pipe line | |
| weight | | 0,230 kg | |

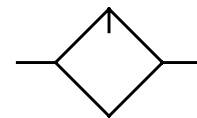


technical modifications keep in reserve!



replacement parts 🔧 (repair kit: ESA-L.00)

| no | description | material | order-no |
|----|----------------------------|----------------|-----------------|
| 1 | body | zinc - Z 410 | --- |
| 2 | oil bowl L.00 | polycarbonate | 8.2500.09.000 |
| 3 | dome assembly L.33 | PA | 9.9933.00.006 |
| 4 | O-ring 30 x 2 DF.00-2 | NBR | 1.1100.02.000 |
| 5 | dome assembly metal L.33 H | zinc-glass-NBR | 9.9933.00.012 |
| 6 | oil bowl metal L.00 M | zinc - Z 410 | 8.2100.12.002.2 |
| 7 | baffle barrier L.00-2 | NBR | 3.2500.02.000 |



series 0

ordering information

L. ** *

| | |
|-------------|----------|
| type | * |
| 1 port size | 2 option |

ordering example: L.00 M

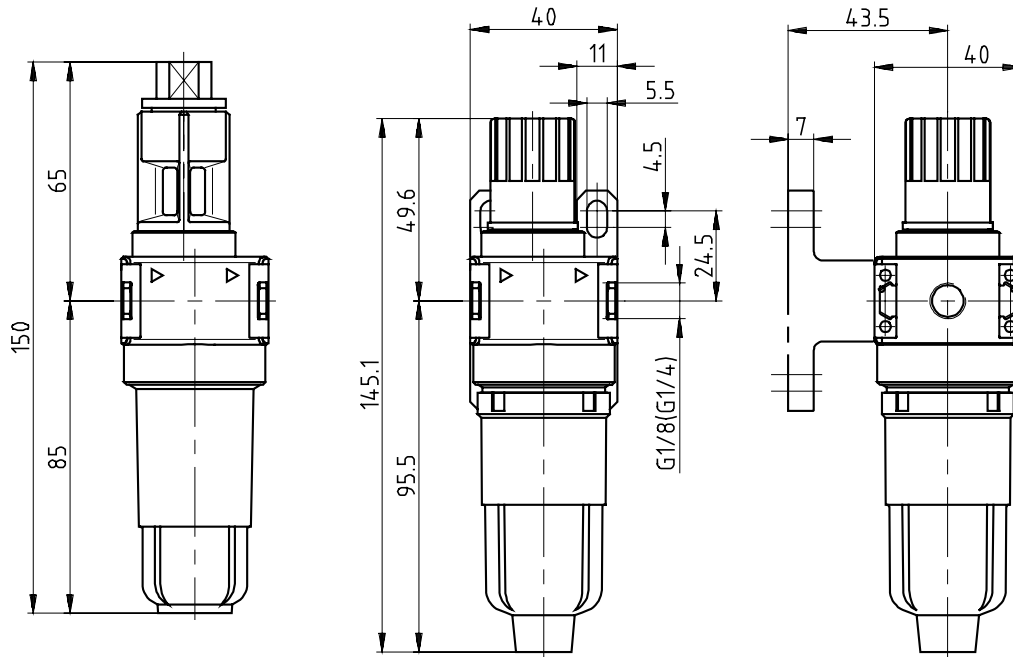
| port size | |
|-----------|--------------|
| 1 | 00 G 1/8 |
| | 01 G 1/4 |
| options | |
| 2 | B bowl guard |
| | M metal bowl |
| | |
| | |

application information

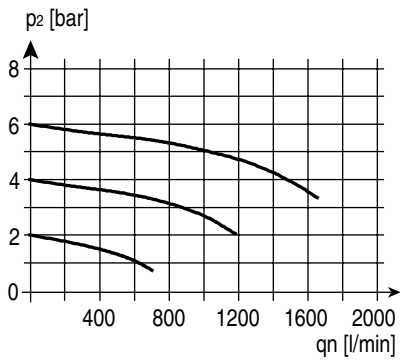
- easy block assembly for components to be connected in series
- interlocking of several individual devices requires coupling kit(s) KP.00 (Pe max. 12 bar)
- field installation of bowl guard without tools

page: L.00 (04/06)

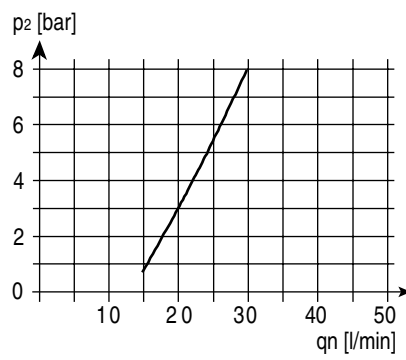
dimensions (mm)



flow characteristics

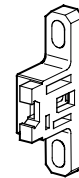


lubricator operating limit



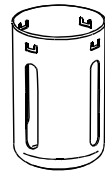
accessories

mounting bracket assembly



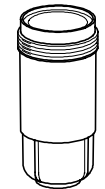
type: ZW.00

bowl guard



type: C.00-45

metal bowl



type: L.00 M