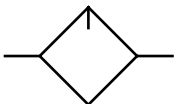
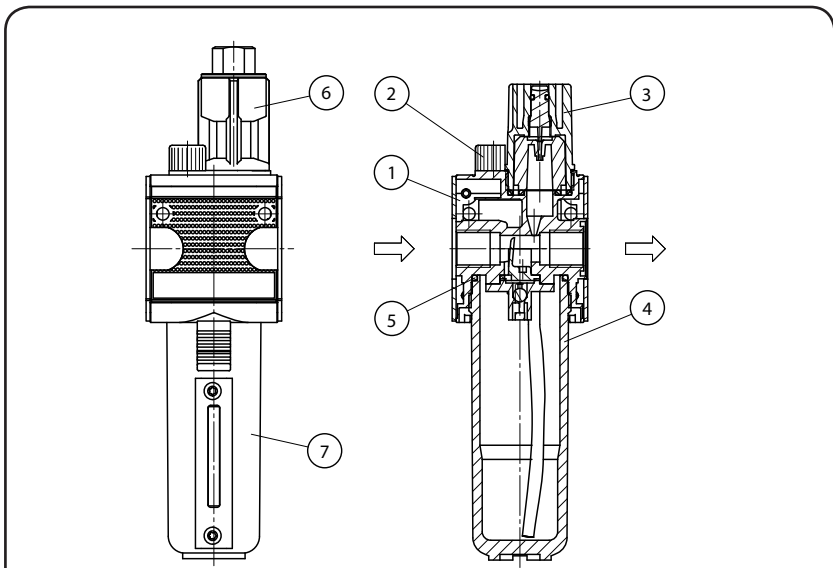


**Lubricator** **MULTI-FIX SERIE**

type	L.11	L.12	
item			
port size	G 1/4	G 3/8	
description	proportional lubricator		
mounting	vertically		
medium	compressed air, neutral gases		
supply pressure	Pe max. 16 bar, Pe max. 20 bar with metal bowl		
medium and ambient temperature	max. 60°C (other temperature ranges available upon request)		
bowl volume	50 cm <sup>3</sup>		
oil dosage rate when qv=1000 l/min	1-2 drips/min (determining factor)		
kind of oil	CL 32 standardized to DIN 51517-ISO VG 32		
fixing	bracket or through 2 holes in the body		
weight	0,327 kg		



technical modifications keep in reserve!



**replacement parts**

(repair kit: ESA-L.11)

no	description	material	order-no.
1	body	zinc - Z 410	---
2	oil filler screw L.11-8	St. - NBR	7.2511.08.000
3	dome assembly L.33	PA	9.9933.00.006
4	oil bowl L.11	polycarbonate	8.2511.09.000
5	O-ring 30 x 2 DF.00-2	NBR	1.1100.02.000
6	dome assembly metal L.33 H	zinc-glass-NBR	9.9933.00.012
7	oil bowl with sight glass BL.11 H	zinc-glass-NBR	8.4711.04.000

**series 1**

**ordering information**

**L. \*\* \***  
 type   
 port size  option

**ordering example: L.11 H**

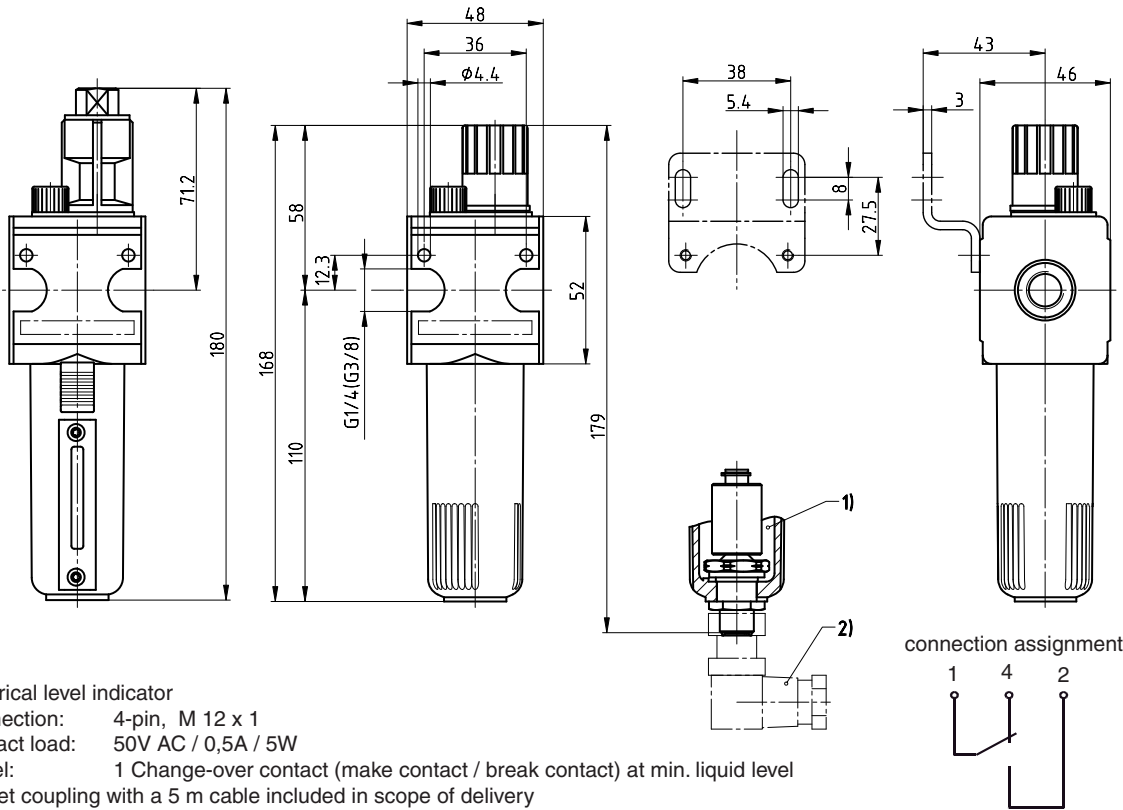
port size	
1	11 G 1/4
	12 G 3/8
options	
2	B bowl guard
	H metal bowl with sight glass
	N electric level monitoring

**application information**

- easy block assembly for components to be connected in series
- interlocking of several individual devices requires coupling kit(s) KP.11
- interlocking of several individual devices with narrow distributor Z.11 requires coupling kit(s) KP.11 Z
- oil fill in is possible under pressure
- field installation of bowl guard without tools

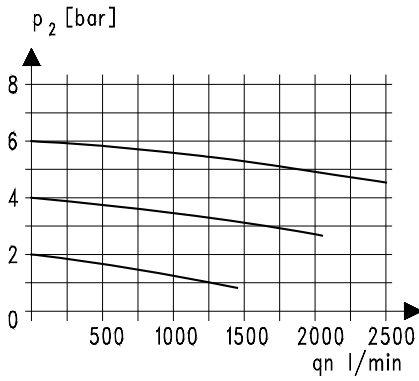
page: L.11 (10/08)

## dimensions (mm)

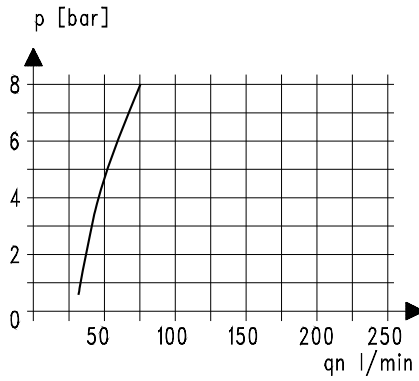


- 1) Electrical level indicator  
 Connection: 4-pin, M 12 x 1  
 Contact load: 50V AC / 0,5A / 5W  
 Model: 1 Change-over contact (make contact / break contact) at min. liquid level
- 2) Socket coupling with a 5 m cable included in scope of delivery

## flow characteristics

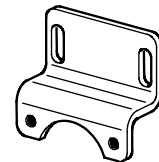


## lubricator operating limit



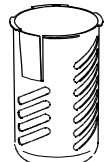
## accessories

mounting bracket



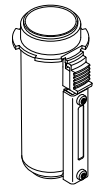
type: ZW.11

bowl guard



type: C.11-45

metal bowl with sight glass



type: BL.11 H