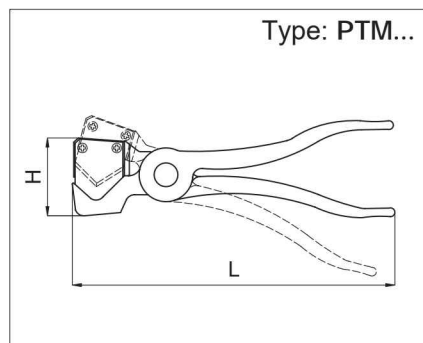


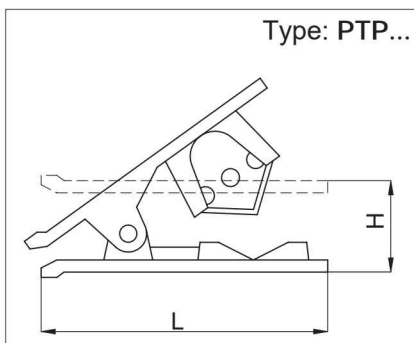
Version	Code	Item
In black plastic, for tube from Ø 2 to 12 mm	022911	PTPNE
In red plastic, for tube from Ø 2 to 12 mm	022912	PTPRO
In blue plastic, for tube from Ø 2 to 12 mm	022913	PTPBL
Metal for tube from Ø 2 to 12 mm	022981	PTM12
Metal for tube till Ø 25 mm	022982	PTM25
Replacement blade for type PTP	022910	LPTP
Replacement blade for type PTM12	022991	LPTM12
Replacement blade for type PTM25	022992	LPTM25
External cover cutter for double layer spatter resistant tube (for Ø 6 and 8 mm)	750010	TSC8-6
External cover cutter for double layer spatter resistant tube (for Ø 10 and 12 mm)	750011	TSC12-10



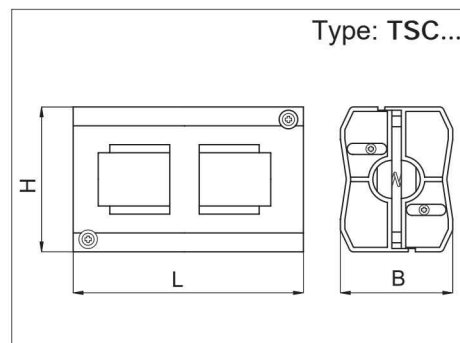
On request the series PTP can be supplied in various colours and be customised with private label (for bulk quantities).



Item	L	H
PTM12	130	30
PTM25	185	46



Item	L	H
PTP...	81	27



Item	L	H	B
TSC8-6	75	49	39
TSC12-10			

Technical data			
	PTP	PTM	TSC
Body material	Acetal resin	Chrome plated steel	Acetal resin
Blade material	Stainless steel	Steel	Stainless steel
Tube	Rilsan, polyurethane, polyethylene, nylon		Spatter resistant (for cutting the external cover)