

Micro lubricator | BG1



Image shows:
9.2511.200

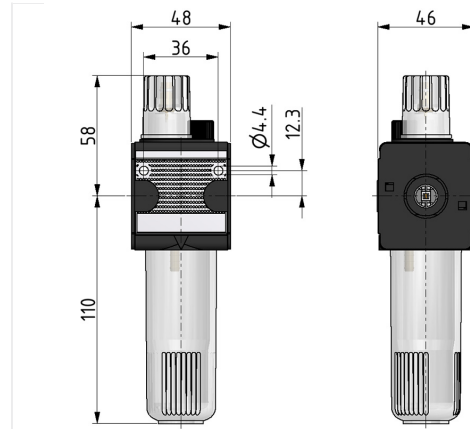
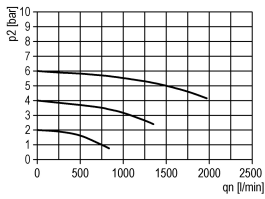
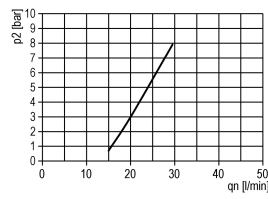


Image shows:
9.2511.200

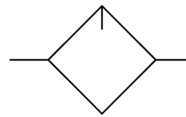
flow characteristic



lubricator operating limit



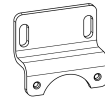
symbol



technical data

- **description:** micro lubricator
- **medium:** compressed air, neutral gases
- **supply pressure P1 max.:** 16 bar
- **temperature range:** 0 - 60°C
- **bowl:** PC
- **mounting:** vertical
- **bowl volume lubricator:** 50 cm³
- **oil type:** CL 32 DIN 51517 - ISO VG 32
- **dome assembly:** PC
- **oil fill in:** cannot be filled with oil during operation

accessories



- mounting bracket: [ZW.11-1](#)

- electrical level indicator (version addition: N)

- Metall-Tropfaufsatz L.33 H

type	part-number	description
ML.11	9.2511.200	Micro lubricator G1/4 with PC bowl
ML.11 H	9.2511.203	Micro lubricator G1/4 with metal bowl/visual display
ML.11 B	9.2511.204	Micro lubricator G1/4 with PC bowl and bowl guard

Service 3 unit

Service 2 unit

Filter regulator

Filter

Pressure regulator

Lubricator

System extensions

Accessories

Special products