

Version	Symbol	Type
In-line, with push-in fitting or with male thread on inlet and push-in fitting on outlet		V51

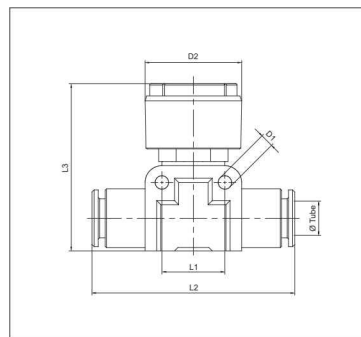


External tube (mm)	6	8
Code	06	08
Threads	1/8"	1/4"
Code	18	14

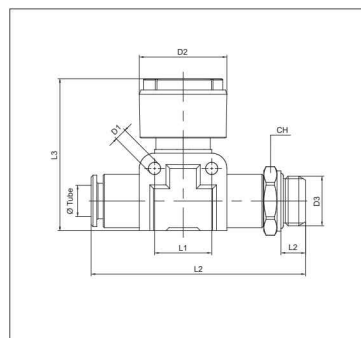
Series of in-line pressure gauges with reduced dimensions

How to order: V510618

V51	06	18
Type	Tube code	Thread code



Code	Item	Tube Ø	D ₁	D ₂	D ₃	L ₁	L ₂	L ₃	L ₄	CH	gr.
030174	V510606	6	3,2	23	-	15	45	38	-	-	15
030177	V510808	8	3,2	23	-	15	46	39,5	-	-	16



Code	Item	Tube Ø	D ₁	D ₂	D ₃	L ₁	L ₂	L ₃	L ₄	CH	gr.
030175	V510618	6	3,2	23	G 1/8"	15	52	38	5	13	21
030176	V510614	6	3,2	23	G 1/4"	15	54	38	6,5	16	23
030178	V510818	8	3,2	23	G 1/8"	15	53	39,5	5	14	23
030179	V510814	8	3,2	23	G 1/4"	15	55	39,5	6,5	16	25

Technical data	
Fluid	Compressed air
Pressure range	0 ÷ 10 bar
Temperature range	0 °C ÷ + 70°C
Parallel threads	UNI - ISO 228 / 1 (BSP)
Connection tubes	Calibrated nylon, polyurethane and rilsan.
Tubes tolerances	± 0,05 mm
Materials	Body: POM Thread: Nickel plated brass Collet: Stainless steel Gauge: ABS Seals: Nitrile rubber (NBR)