

Finefilter | BG0



Image shows:  
91320.CC00

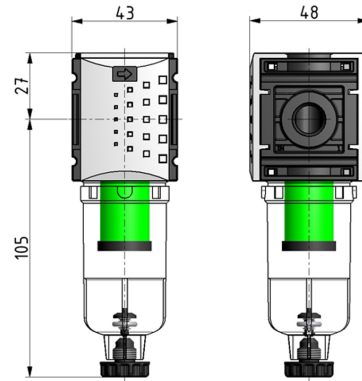
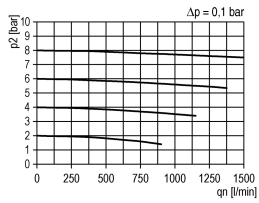
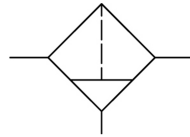


Image shows:  
91320.CC00

flow characteristic



symbol



technical data

- **description:** finefilter
- **medium:** compressed air, neutral gases
- **supply pressure P1 min.:** 1,5 bar
- **supply pressure P1 max.:** 12 bar
- **temperature range:** 0 - 50°C
- **bowl:** PC
- **drain:** HA
- **mounting:** vertical
- **filter element:** 0,01 μm
- **particle separation:** class 1 according to DIN ISO 8573-1
- **residual oil concent:** < 0,01 mg/m<sup>3</sup> 99.999%

accessories



- **mounting bracket:**  
[KBW.0-1225](#)



- **coupling kit wall mounting:**  
[KKOP.0W](#)

type	part-number	description
KCFI-014	91320.CC00	Finefilter G1/4 0,01μm with PC bowl and semi automatic drain
KCFI-014 AM	91320.CC01	Finefilter G1/4 0,01μm with PC bowl and automatic drain
KCFI-014 M	91320.CC50	Finefilter G1/4 0,01μm with metal bowl and semi automatic drain
KCFI-014 M AM	91320.CC51	Finefilter G1/4 0,01μm with metal bowl and automatic drain

Service 3 unit

Service 2 unit

Filter regulator

Filter

Pressure regulator

Lubricator

System extensions

Accessories

Special products

## Finefilter | BG1



Image shows:  
91321.CC00

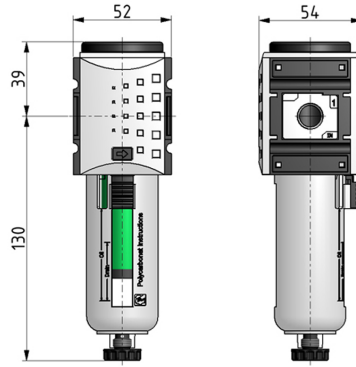
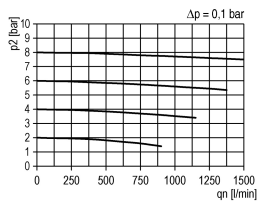
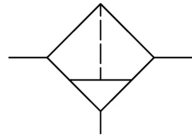


Image shows:  
91321.CC00

### flow characteristic



### symbol



### technical data

- **description:** finefilter
- **medium:** compressed air, neutral gases
- **supply pressure P1 min.:** 1,5 bar
- **supply pressure P1 max.:** 16 bar
- **temperature range:** 0 - 50°C
- **bowl:** PC with PA bowl guard
- **drain:** HA
- **mounting:** vertical
- **filter element:** 0,01 µm
- **particle separation:** class 1 according to DIN ISO 8573-1
- **residual oil concent:** < 0,01 mg/m<sup>3</sup> 99.999%

### accessories



- **mounting bracket:**  
[KBW.1-1225](#)



- **coupling kit wall mounting:**  
[KKOP.1W](#)

- **differential pressure display**



- **differential pressure gauge:**  
[DM.2](#)

type	part-number	description
KCFI-114	91321.CC00	Finefilter G1/4 0,01µm with PC bowl, bowl guard and semi automatic drain
KCFI-114 AM	91321.CC01	Finefilter G1/4 0,01µm with PC bowl, bowl guard and automatic drain
KCFI-114 H	91321.CC50	Finefilter G1/4 0,01µm with metal bowl and semi automatic drain
KCFI-114 H AM	91321.CC51	Finefilter G1/4 0,01µm with metal bowl and automatic drain
KCFI-138	91321.DD00	Finefilter G3/8 0,01µm with PC bowl, bowl guard and semi automatic drain
KCFI-138 AM	91321.DD01	Finefilter G3/8 0,01µm with PC bowl, bowl guard and automatic drain
KCFI-138 H	91321.DD50	Finefilter G3/8 0,01µm with metal bowl and semi automatic drain
KCFI-138 H AM	91321.DD51	Finefilter G3/8 0,01µm with metal bowl and automatic drain

- Service 3 unit
- Service 2 unit
- Filter regulator
- Filter**
- Pressure regulator
- Lubricator
- System extensions
- Accessories
- Special products

## Finefilter | BG2



Image shows:  
91322.DD00

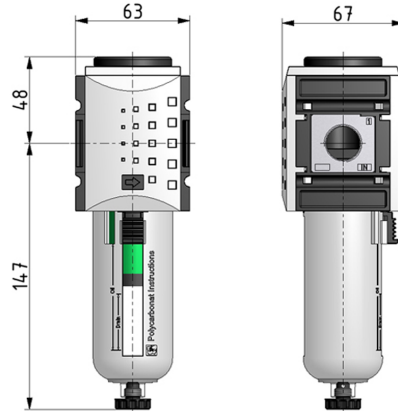
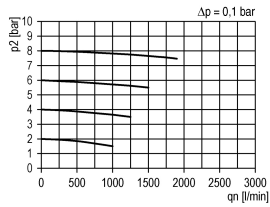
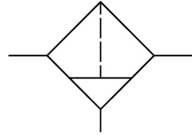


Image shows:  
91322.DD00

### flow characteristic



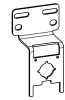
### symbol



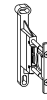
### technical data

- **description:** finefilter
- **medium:** compressed air, neutral gases
- **supply pressure P1 min.:** 1,5 bar
- **supply pressure P1 max.:** 16 bar
- **temperature range:** 0 - 50°C
- **bowl:** PC with PA bowl guard
- **drain:** HA
- **mounting:** vertical
- **filter element:** 0,01 µm
- **particle separation:** class 1 according to DIN ISO 8573-1
- **residual oil concent:** < 0,01 mg/m<sup>3</sup> 99.999%

### accessories



- mounting bracket:  
[KBW.2-1225](#)



- coupling kit wall mounting:  
[KKOP.2W](#)

- differential pressure display



- differential pressure gauge:  
[DM.2](#)

type	part-number	description
KCFI-238	91322.DD00	Finefilter G3/8 0,01µm with PC bowl, bowl guard and semi automatic drain
KCFI-238 AM	91322.DD01	Finefilter G3/8 0,01µm with PC bowl, bowl guard and automatic drain
KCFI-238 H	91322.DD50	Finefilter G3/8 0,01µm with metal bowl and semi automatic drain
KCFI-238 H AM	91322.DD51	Finefilter G3/8 0,01µm with metal bowl and automatic drain
KCFI-212	91322.EE00	Finefilter G1/2 0,01µm with PC bowl, bowl guard and semi automatic drain
KCFI-212 AM	91322.EE01	Finefilter G1/2 0,01µm with PC bowl, bowl guard and automatic drain
KCFI-212 H	91322.EE50	Finefilter G1/2 0,01µm with metal bowl and semi automatic drain
KCFI-212 H AM	91322.EE51	Finefilter G1/2 0,01µm with metal bowl and automatic drain

- Service 3 unit
- Service 2 unit
- Filter regulator
- Filter**
- Pressure regulator
- Lubricator
- System extensions
- Accessories
- Special products

## Finefilter | BG4



Image shows:  
91324.FF00

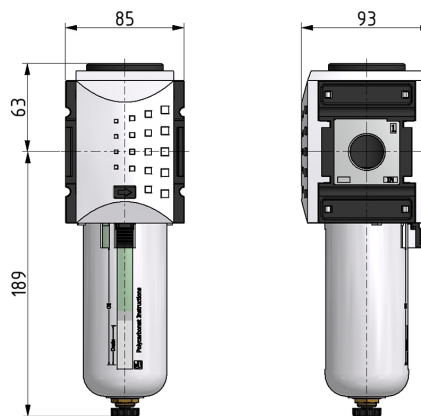
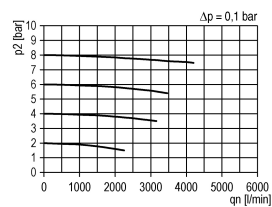
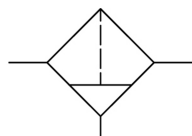


Image shows:  
91324.FF00

### flow characteristic



### symbol



### technical data

- **description:** finefilter
- **medium:** compressed air, neutral gases
- **supply pressure P1 min.:** 1,5 bar
- **supply pressure P1 max.:** 16 bar
- **temperature range:** 0 - 50°C
- **bowl:** PC with PA bowl guard
- **drain:** HA
- **mounting:** vertical
- **filter element:** 0,01 µm
- **particle separation:** class 1 according to DIN ISO 8573-1
- **residual oil concent:** < 0,01 mg/m<sup>3</sup> 99.999%

### accessories



- mounting bracket:  
[KBW.4-1225](#)



- coupling kit wall mounting:  
[KKOP.4W](#)

- differential pressure display



- differential pressure gauge:  
[DM 2](#)

type	part-number	description
KCFI-434	91324.FF00	Finefilter G3/4 0,01µm with PC bowl, bowl guard and semi automatic drain
KCFI-434 AM	91324.FF01	Finefilter G3/4 0,01µm with PC bowl, bowl guard and automatic drain
KCFI-434 H	91324.FF50	Finefilter G3/4 0,01µm with metal bowl and semi automatic drain
KCFI-434 H AM	91324.FF51	Finefilter G3/4 0,01µm with metal bowl and automatic drain
KCFI-41	91324.GG00	Finefilter G1 0,01µm with PC bowl, bowl guard and semi automatic drain
KCFI-41 AM	91324.GG01	Finefilter G1 0,01µm with PC bowl, bowl guard and automatic drain
KCFI-41 H	91324.GG50	Finefilter G1 0,01µm with metal bowl and semi automatic drain
KCFI-41 H AM	91324.GG51	Finefilter G1 0,01µm with metal bowl and automatic drain

- Service 3 unit
- Service 2 unit
- Filter regulator
- Filter**
- Pressure regulator
- Lubricator
- System extensions
- Accessories
- Special products