

Mounting Accessories for Cylinders

Mounting for round cylinders in steel

Standard executions		
Version	Symbol	Type
Rear clevis (with pin)		CF..AQM
Foot flange		P..AQM
Foot hinge		CP..AQM
Heads nut		GH..AQM
Pins		SEC..AQM



Technical data	
Material	Zinc plated steel
Treatment	White zinking

Rear clevis
Type: **CF..AQM**

Kit provided with two pins

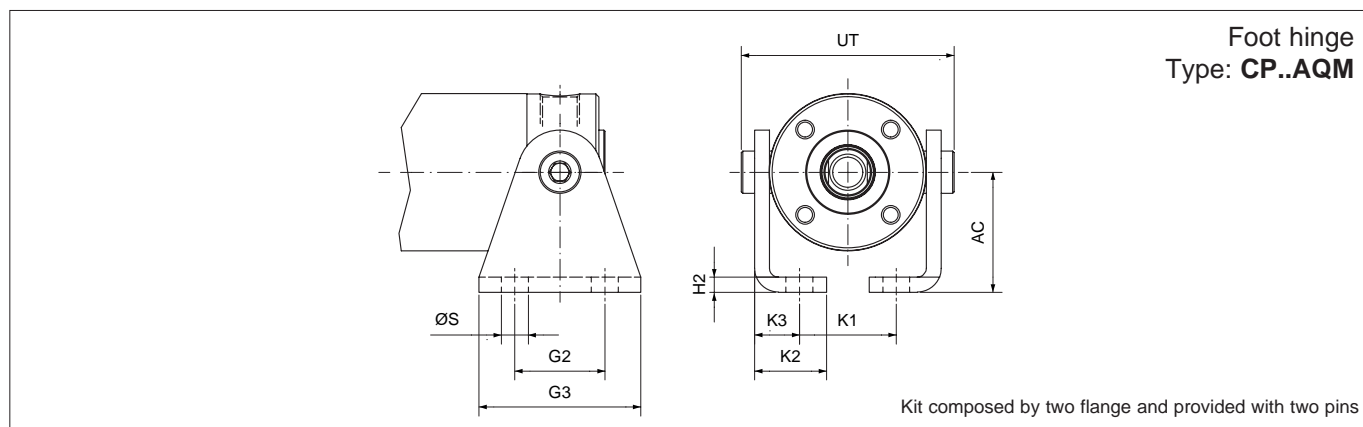
Code	Item	Ø mm	A	A ₁	A ₂	A ₃	B	C	D	E	F	G	G ₁	H	H ₁	H ₂	H ₃	H ₄	CH	I	L	P	Q
040058	CF032AQM	32	40	18	6	6	24	20	20	35	38,1	4	4	12	10	M8x1	12	10	13	7	8	12	4
040059	CF040AQM	40	50	21,6	7	7	30	28	27	40	46,1	5	5	15	12	M10x1	15	12	17	9	10	13	5
040060	CF050AQM	50	54	26,4	9	8,5	34	36	30	45	57,1	6	6	18	14	M12x1,5	20	14	19	9	10	14	6
040061	CF063AQM	63	65	33,5	13	8,5	35	42	34	50	70,1	6	6	20	16	M14x1,5	23	16	19	9	15	16	6

Foot flange
Type: **P..AQM**

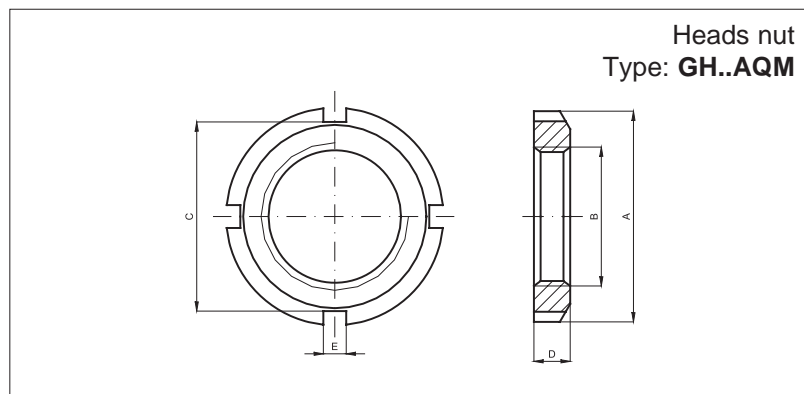
Code	Item	Ø mm	A	B	C	D	E	F	G	H	I	Ø L	Ø M	Ø N	P	Q	R
040054	P032AQM	32	66	49	21	4	52	14	28	14	28	30	7	7	7	4	2
040055	P040AQM	40	80	58	30	5	60	18	30	20	33	38	9	9	10	5	2
040056	P050AQM	50	90	70	30	6	70	20	40	20	40	45	9	9	10	6	2
040057	P063AQM	63	96	80	30	6	76	20	50	20	45	45	9	9	10	6	2



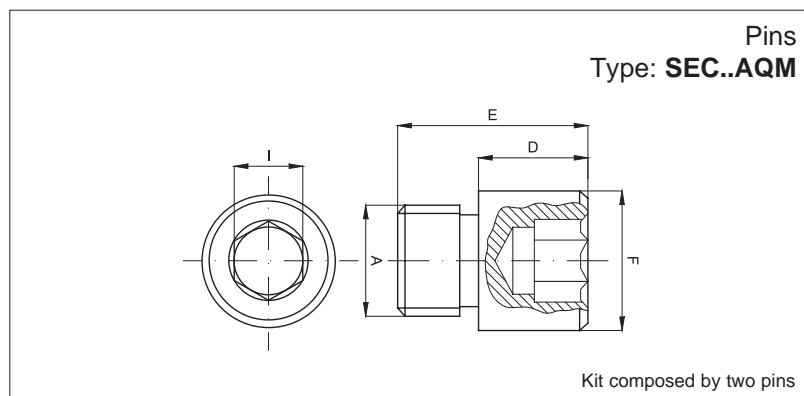
Mounting Accessories for Cylinders
Mounting for round cylinders in steel



Code	Item	Ø mm	Ø S	G2	G3	H2	K1	K2	K3	AC	UT
040170	CP032AQM	32	7	20	35	4	15,5	20	13	25	47
040171	CP040AQM	40	7	28	42	4	23,5	20	13	28	57
040172	CP050AQM	50	9	30	54	5	32,3	24	15	40	71
040173	CP063AQM	63	9	40	64	5	40,5	26,5	17,5	47	84



Code	Item	Ø mm	A	B	C	D	E
040066	GH032AQM	32	Ø 45	M30x1,5	40	7	5
040067	GH040AQM	40	Ø 50	M38x1,5	46	8	5
040068	GH050/063AQM	50-63	Ø 58	M45x1,5	53	9	6



Code	Item	Ø mm	A	D	E	F	I
040062	SEC032AQM	32	M8x1	8	14	Ø 10	5
040063	SEC040AQM	40	M10x1	9,5	16,5	Ø 12	6
040064	SEC050AQM	50	M12x1,5	11	20	Ø 14	6
040065	SEC063AQM	63	M14x1,5	13	28	Ø 16	8