

# PJB Series

Universal Mounting Parts-Ball Joint



## Features

- ◇ Flexible connection for deflection in any direction with a maximum deflection angle of 12°.
- ◇ High-strength steel with good stability.

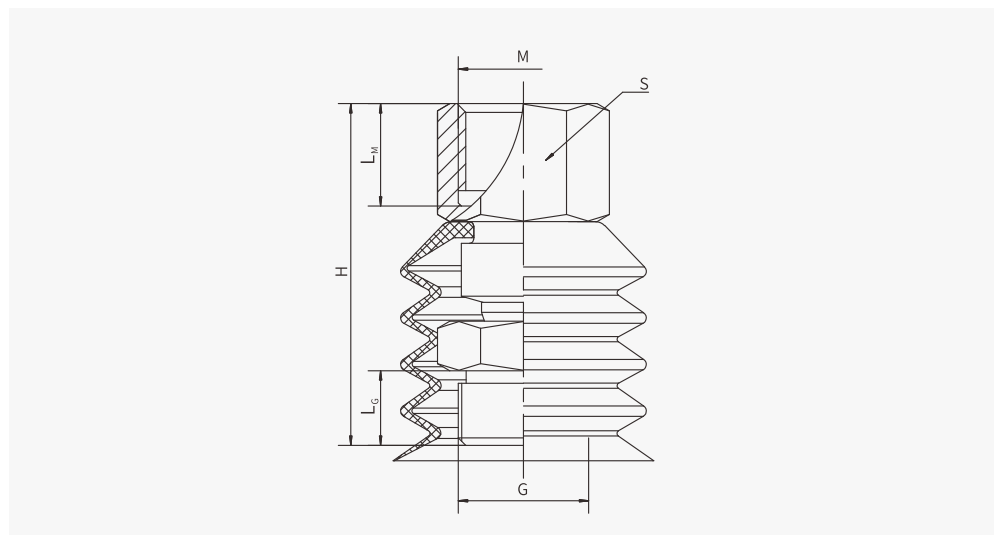
## How to order

### PJB - G4M

①                      ②

① Series	② Connection thread
<b>PJB</b>	<b>G1M</b> - G1/8 Male thread <b>G4M</b> - G1/2 Male thread

## Dimensions (mm)



Model/Size	H	G	L <sub>G</sub>	M	L <sub>M</sub>	S	Max. deflection	Weight(g)
<b>PJB-G1M</b>	33	G1/8	7	G1/8	8	12	12°	20
<b>PJB-G4M</b>	52	G1/2	12	G1/2	15	24	12°	113