

PJH Series

Universal Mounting Parts- Universal Holder



Features

- ◇ Ball clamp structure with adjustable height and angel for workpiece with irregular surface.
- ◇ Made of high-strength aluminum alloy and light duty.

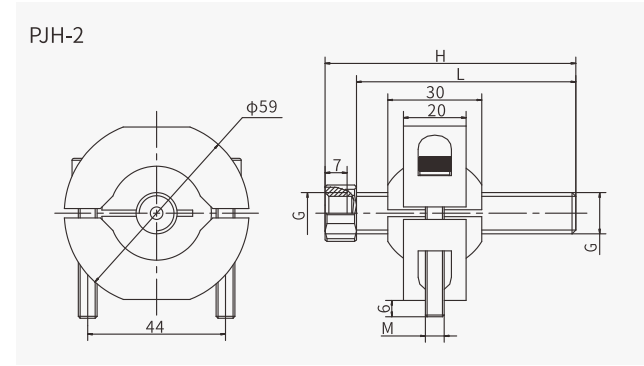
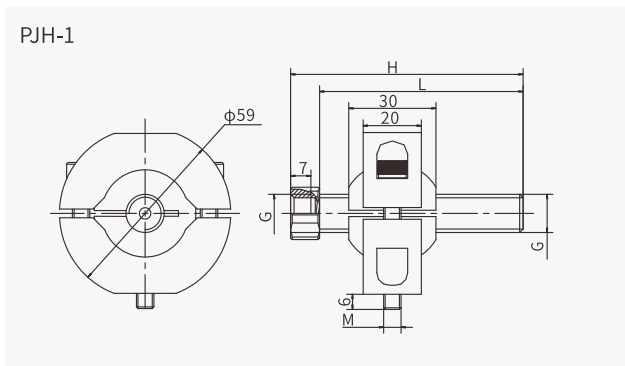
How to order

PJH - 1 A - 80

① ② ③ ④

① Series	② Mounting thread	③ Connection thread	④ Length of connecting rod
PJH	1 - 1×M5 Fixed screw	A - G1/4	80 - 80mm
	2 - 2×M6 Fixed screw	B - G3/8	100 - 100mm
			140 - 140mm
			200 - 200mm

Dimensions (mm)



Model	G	M	H	L	Max. deflection
PJH-1A-80	G1/4	M5	80	70	15°
PJH-1A-100			100	90	
PJH-1A-140			140	130	
PJH-1A-200			200	190	
PJH-1B-80	G3/8	M5	80	70	15°
PJH-1B-100			100	90	
PJH-1B-140			140	130	
PJH-1B-200			200	190	

Model	G	M	H	L	Max. deflection
PJH-2A-80	G1/4	2-M6	80	70	15°
PJH-2A-100			100	90	
PJH-2A-140			140	130	
PJH-2A-200			200	190	
PJH-2B-80	G3/8	2-M6	80	70	15°
PJH-2B-100			100	90	
PJH-2B-140			140	130	
PJH-2B-200			200	190	