

PJS Series

Fitting for Suction Cup



Features

- ◇ Standard fitting for suction cup , easy for choice.
- ◇ Separate structure design, reusable and reduce cost greatly.

How to order

PJS - G1F - SF1 - EW

① ② ③ ④

① Series	② Connection thread	③ Suction cup connection	④ Special specification
PJS	M3M - M3 Male thread	SF (1-7)	Nil - Standard ,without special specification EW - Built-in mesh filter EH - Built-in mesh filter and vacuum efficiency valve
	M5F - M5 Female thread	SC (1-6)	
	M5M - M5 Male thread	ST (1-8)	
	M8M - M8 Male thread		
	G1F - G1/8 Female thread		
	G1M - G1/8 Male thread		
	G2F - G1/4 Female thread		
	G2M - G1/4 Male thread		
	G3F - G3/8 Female thread		
G4F - G1/2 Female thread			

◇ Optional special specifications such as EW and EH.

SF type

Model	Diagram	Applicable suction cup	Special specification
PJS-G1F-SF1		Su20, 25, 30 SF20, 25, 30 SB17, 20 SBL20 SBP20 SXP20, 25, 30 SFP20, 30 SGP25, 35	EW EH

PJS Series

Fitting for Suction Cup

SF type

Model	Diagram	Special specification	Applicable suction cup
PJS-G1M-SF1		EW EH	SU20, 25, 30 SF20, 25, 30 SB17, 20 SBL20 SBP20 SXP20, 25, 30 SFP20, 30 SGP25, 35
PJS-G1F-SF2		EW EH	SU40 SF40 SB30, 40 SBL30, 40 SBP30, 40 SXP35, 40 SFP40 SGP45
PJS-G1M-SF2			
PJS-G2F-SF3		EW EH	SU50 SF50 SB50 SBL50 SBP50 SXP50 SGP55
PJS-G2M-SF3			

Mounting Parts

- PSPE
- PSPT
- PSPH
- PSPF
- PJS**
- PJT
- PJF
- PJB
- PJH

PJS Series

Fitting for Suction Cup

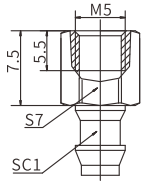
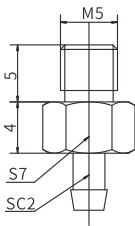
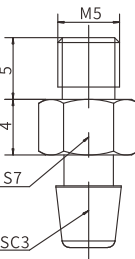
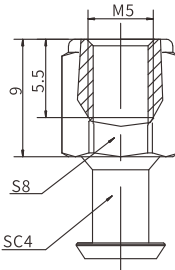
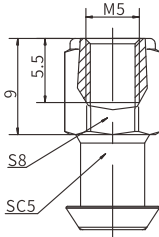
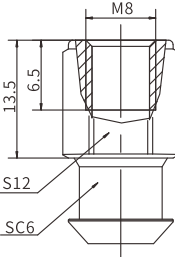
SF type

Model	Diagram	Special specification	Applicable suction cup
PJS-G3F-SF3		EW EH	SU50 SF50 SB50 SBL50 SBP50 SXP50 SGP55
PJS-G3M-SF3			
PJS-G2F-SF4		EW	SF75
PJS-G4F-SF5		EW	SF110 SB110
PJS-G4F-SF6		EW	SF150 SB150
PJS-G4F-SF7		EW	SF200

PJS Series

Fitting for Suction Cup

SF type

Model	Diagram	Applicable suction cup
PJS-M5F-SC1		SZU2, 4, 6, 8 SZB6, 8 SB6 SU2, 4
PJS-M5M-SC2		SU6, 8 SB5, 8
PJS-M5M-SC3		SU10, 15 SF15 SB10, 12, 15 SBL15
PJS-M5F-SC4		SZU10, 13, 16 SZB10, 13, 16 SZC10, 13, 16 SD10, 16
PJS-M5F-SC5		SZU20, 25, 32 SZB20, 25, 32 SZC20, 25, 32 SD25
PJS-M8F-SC6		SZU40, 50 SZB40, 50 SZC40, 50 SD40

Mounting Parts

- PSPE
- PSPT
- PSPH
- PSPF
- PJS**
- PJT
- PJF
- PJB
- PJH

PJS Series

Fitting for Suction Cup

SF type

Model	Diagram	Applicable suction cup
PJS-M3M-ST1		SPF2, 3.5 SPJ4
PJS-M5M-ST2		SPA10A, 10B SPA15A, 15B, 15X SPA20A, 20B SPF5, 6, 8, 10, 15 SPJ6, 8, 10, 15 SPC5, 7
PJS-M5M-ST3		SPA30B SPF20 SPJ20, 25
PJS-M5M-ST4		SPF25, 30, 35, 40 SPJ30, 35, 40
PJS-M8M-ST5		SPC30, 40, 60 SBA33

PJS Series

Fitting for Suction Cup

SF type

Model	Diagram	Applicable suction cup
PJS-M8M-ST6		SPF50 SPJ50
PJS-M8M-ST7		SPA25A, 30A SPA40A, 50A
PJS-G1M-ST8		SPC90

- PSPE
- PSPT
- PSPH
- PSPF
- PJS**
- PJT
- PJF
- PJB
- PJH