

PSPE Series

Small and Light Level Compensator



Features

- ◇ Stainless steel guide rod, corrosive resistance and wear resistance.
- ◇ Built-in oilless bushing has good wear resistance, which enhances lifetime.
- ◇ Horizontal vacuum circuit design can connect with multiple level compensators.
- ◇ Non-rotating design ensures accurate positioning of workpiece.

Applications

- ◇ Small size and light spring, suitable for electronics industry.

How to order

PSPE - I 10 L A4 M5M - M10

① ② ③ ④ ⑤ ⑥ ⑦

① Series	② Buffer style	③ Buffer stroke	④ Rotary type	⑤ Vacuum port connection	⑥ Suction cup connection	⑦ Mounting thread
PSPE	I - Built-in spring	10 20 30 40 50	Nil - Vertical rotating R - Vertical non-rotating L - Lateral rotating B - Lateral non-rotating	Nil- M5 Female thread A4- One touch fitting φ4 hose A6- One touch fitting φ6 hose	M5M- M5 Male thread M5F - M5 Female thread	M10 - M10×1

Selection

Model	Buffer stroke	Rotary type	Vacuum port connection			Suction cup connection		Mounting thread
			Nil	A4	A6	M5M	M5F	
PSPE-I	10 40	Nil	●	-	-	●	●	M10
	20 50	R	●	-	-	●	-	
	30	L	-	●	●	●	-	
		B	-	●	●	●	-	

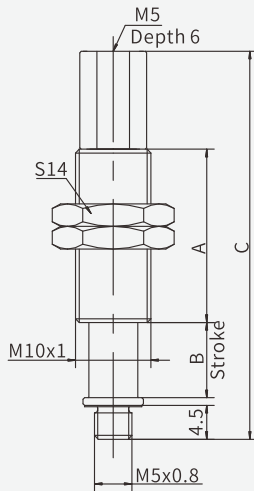
◇◇Note: "●"- standard, in stock. "-"-unavailable.

PSPE Series

Small and Light Level Compensator

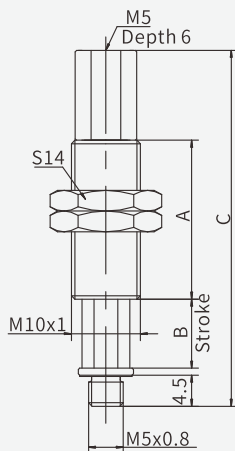
Dimensions (mm)

M5M Vertical rotating



Model/size	A	B	C	F1 (N)	F2 (N)
PSPE-I10M5M-M10	23	10	51.5	1.0	3.0
PSPE-I20M5M-M10	51	20	89.5		
PSPE-I30M5M-M10	51	30	99.5		
PSPE-I40M5M-M10	77	40	135.5		
PSPE-I50M5M-M10	77	50	145.5		

M5M Vertical non-rotating



Model/size	A	B	C	F1 (N)	F2 (N)
PSPE-I10RM5M-M10	23	10	51.5	1.0	3.0
PSPE-I20RM5M-M10	51	20	89.5		
PSPE-I30RM5M-M10	51	30	99.5		
PSPE-I40RM5M-M10	77	40	135.5		
PSPE-I50RM5M-M10	77	50	145.5		

PSPE

PSPT

PSPH

PSPF

PJS

PJT

PJF

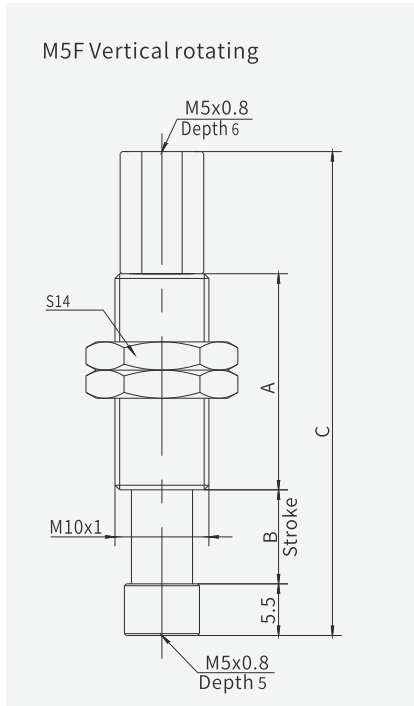
PJB

PJH

PSPE Series

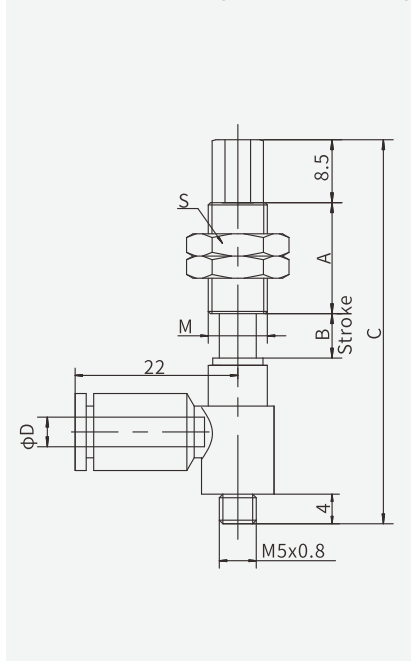
Small and Light Level Compensator

Dimensions (mm)



Model/size	A	B	C	F1 (N)	F2 (N)
PSPE-I10M5F-M10	23	10	51.5	1.0	3.0
PSPE-I20M5F-M10	51	20	89.5		
PSPE-I30M5F-M10	51	30	99.5		
PSPE-I40M5F-M10	77	40	135.5		
PSPE-I50M5F-M10	77	50	145.5		

M5M Lateral rotating(one touch fitting)



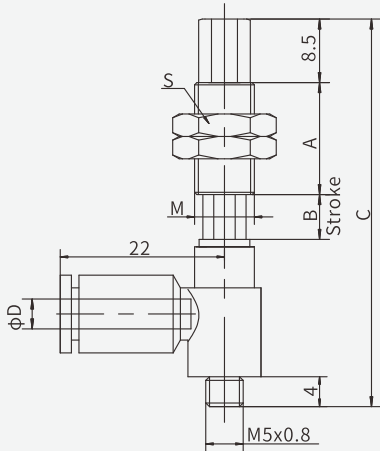
Model/size	A	B	C	D	S	M	F1 (N)	F2 (N)
PSPE-I6LA4M5M-M8	15	6	52	4	12	M8x1	0.8	1.2
PSPE-I6LA6M5M-M8	15	6	52	6				
PSPE-I10LA4M5M-M8	43	10	84	4				
PSPE-I10LA6M5M-M8	43	10	84	6				
PSPE-I15LA4M5M-M8	43	15	89	4				
PSPE-I15LA6M5M-M8	43	15	89	6				
PSPE-I25LA4M5M-M8	43	25	99	4				
PSPE-I25LA6M5M-M8	43	25	99	6				
PSPE-I10LA4M5M-M10	23	10	64	4	14	M10x1	1.0	3.0
PSPE-I10LA6M5M-M10	23	10	64	6				
PSPE-I20LA4M5M-M10	51	20	102	4				
PSPE-I20LA6M5M-M10	51	20	102	6				
PSPE-I30LA4M5M-M10	51	30	112	4				
PSPE-I30LA6M5M-M10	51	30	112	6				
PSPE-I40LA4M5M-M10	77	40	148	4				
PSPE-I40LA6M5M-M10	77	40	148	6				
PSPE-I50LA4M5M-M10	77	50	158	4				
PSPE-I50LA6M5M-M10	77	50	158	6				

PSPE Series

Small and Light Level Compensator

Dimensions (mm)

M5M Lateral non-rotating
(one touch fitting)



Model/size	A	B	C	D	S	M	F1(N)	F2(N)
PSPE-I6BA4M5M-M8	15	6	52	4	12	M8×1	0.8	1.2
PSPE-I6BA6M5M-M8	15	6	52	6				
PSPE-I10BA4M5M-M8	43	10	84	4				
PSPE-I10BA6M5M-M8	43	10	84	6				
PSPE-I15BA4M5M-M8	43	15	89	4				
PSPE-I15BA6M5M-M8	43	15	89	6				
PSPE-I25BA4M5M-M8	43	25	99	4				
PSPE-I25BA6M5M-M8	43	25	99	6				
PSPE-I10BA4M5M-M10	23	10	64	4	14	M10×1	1.0	3.0
PSPE-I10BA6M5M-M10	23	10	64	6				
PSPE-I20BA4M5M-M10	51	20	102	4				
PSPE-I20BA6M5M-M10	51	20	102	6				
PSPE-I30BA4M5M-M10	51	30	112	4				
PSPE-I30BA6M5M-M10	51	30	112	6				
PSPE-I40BA4M5M-M10	77	40	148	4				
PSPE-I40BA6M5M-M10	77	40	148	6				
PSPE-I50BA4M5M-M10	77	50	158	4				
PSPE-I50BA6M5M-M10	77	50	158	6				

◇Note: "F1" means spring force at 0 stroke, F2 means spring force at max stroke.

PSPE

- PSPT
- PSPH
- PSPF
- PJS
- PJT
- PJF
- PJB
- PJH