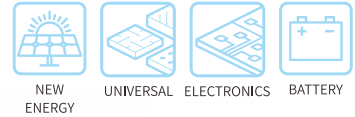


PSPF Series

Compact Level Compensator



Features

◇ Corresponding to the thread of suction cup, a variety of connection are available.

Applications

◇ Small size and light spring, suitable for electronics industry.

How to order

PSPF - E 6 L B6 M5F - M14

① ② ③ ④ ⑤ ⑥ ⑦

① Series	② Buffer style	③ Buffer stroke	④ Vacuum circuit
PSPF	E - External spring	4	Nil - Vertical rotating L - Lateral rotating
		15	
		6 30 10	
⑤ Vacuum port connection	⑥ Suction cup connection	⑦ Mounting thread	
B6 - Pagoda fitting $\phi 6$ hose	M5F - M5 Female thread	M11 - M11×1	
R1 - Rc1/8 Tapered thread	M8F - M8 Female thread	M14 - M14×1	
	M10M - M10×1.25 Male thread	M16 - M16×1.5	

◇ Note: Suction cup connection thread refers to the thread connecting to the fitting for suction cup. Mounting thread refers to the thread installing to the external bracket.

Selection

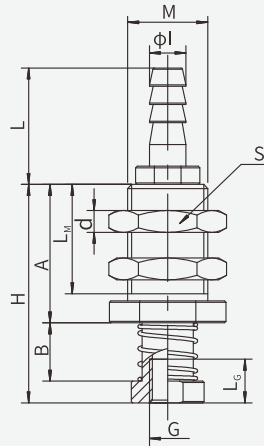
Model	Buffer stroke	Connection thread		Mounting thread
PSPF-E	4, 10	B6M5F	LB6M5F	M11
	6, 15	B6M5F	LB6M5F	M14
	6, 15	B6M8F	LB6M8F	M14
	10, 30	-	LR1M10M	M16

PSPF Series

Compact Level Compensator

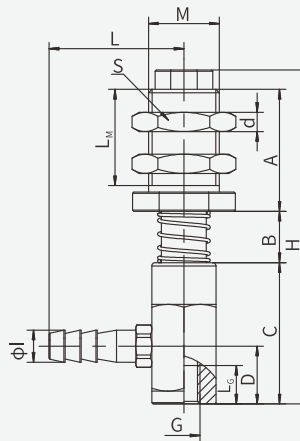
Dimensions (mm)

Female thread vertical rotating



Model	H	G	L _G	M	L _M	A	B	L	d	S	I	Buffer stroke
PSPF-E4B6M5F-M11	30	M5	6	M11×1	15	19	8	16	3	14	5	4
PSPF-E10B6M5F-M11	42						20					10
PSPF-E6B6M5F-M14	40	M5	6	M14×1	19	24	13	17	4	17	5	6
PSPF-E15B6M5F-M14	57						30					15
PSPF-E6B6M8F-M14	40	M8	8	M14×1	19	24	13	17	4	17	5	6
PSPF-E15B6M8F-M14	57						30					15

Female thread lateral rotating



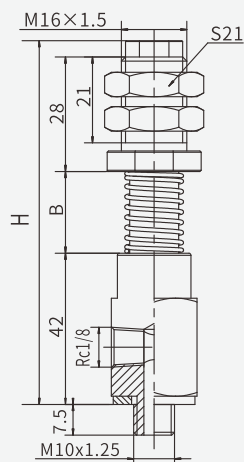
Model	H	G	L _G	M	L _M	A	B	C	D	L	d	S	I	Buffer stroke
PSPF-E4LB6M5F-M11	52	M5	6	M11×1	15	19	8	22	9	21	3	14	5	4
PSPF-E10LB6M5F-M11	64						20							10
PSPF-E6LB6M5F-M14	73	M5	6	M14×1	19	24	13	32	12	23	4	17	5	6
PSPF-E15LB6M5F-M14	90						30							15
PSPF-E6LB6M8F-M14	73	M8	8	M14×1	19	24	13	32	12	23	4	17	5	6
PSPF-E15LB6M8F-M14	90						30							15

PSPF Series

Compact Level Compensator

Dimensions (mm)

Male thread lateral rotating



Model	H	B	Buffer stroke
PSPF-E10LR1M10M-M16	94	20	10
PSPF-E30LR1M10M-M16	134	60	30

Mounting Parts

PSPE

PSPT

PSPH

PSPF

PJS

PJT

PJF

PJB

PJH