

PSPT Series

Universal Level Compensator



Features

- ◇ Corrosive resistance and wear resistance, smoothly operating.
- ◇ Built-in oil free bushing has good wear resistance, which enhances lifetime.
- ◇ Built-in and external spring, 2 types for option.
- ◇ G1/4 and G3/8 light weight design reduces the load on the robot.

Applications

- ◇ Various connection threads are available, suitable for all kinds of applications such as packaging and handling of metal plate, etc.

How to order

PSPT - I 10 LM5 G1M- M16

① ② ③ ④ ⑤ ⑥

① Series	② Buffer style	③ Buffer stroke	④ Vacuum port connection	⑤ Suction cup connection	⑥ Mounting thread
PSPT	I - Built-in spring E - Eternal spring	10	Nil - Vertical rotating	M8M - M8 Male thread	M14 - M14×1
		20	R - Vertical non-rotating	G1M - G1/8 Male thread	M16 - M16×1
		30	LM5 - Lateral rotating M5	G2M - G1/4 Male thread	M18 - M18×1
		50		G3M - G3/8 Male thread	
		75		G1F - G1/8 Female thread	
		90		G2F - G1/4 Female thread	

Selection

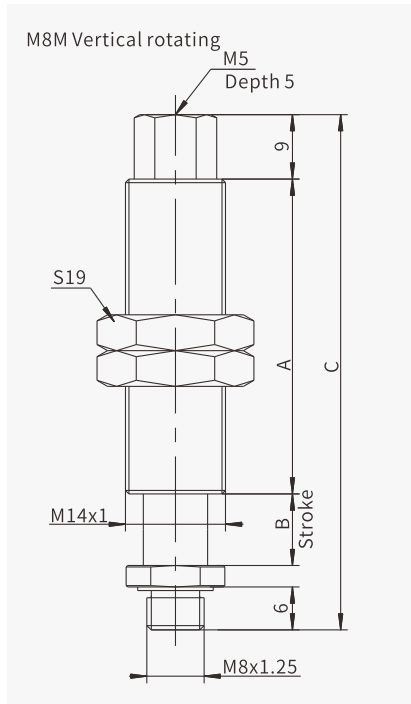
Model	Buffer style		Buffer stroke(mm)						Connection thread	Mounting thread		
	I	E	10	20	30	50	75	90		M14	M16	M18
PSPT	●	-	●	●	●	●	-	-	M8M	●	-	-
	●	-	●	●	●	●	-	-	G1M, LM5G1M, G1F	-	●	-
	●	-	●	●	●	●	-	-	G2M, RG2M, G2F	-	-	●
	●	-	●	●	●	●	-	-	G3M, RG3M	-	-	●
	-	●	-	-	-	-	●	●	G2M, G3M	-	-	●

◇Note: "●"- standard, in stock. "-"-unavailable.

PSPT Series

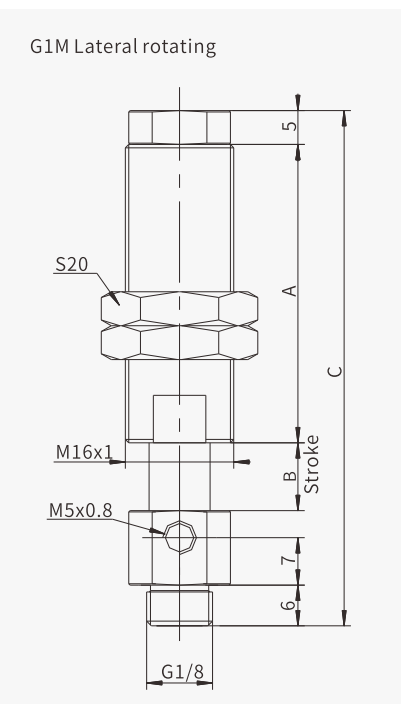
Universal Level Compensator

Dimensions (mm)



Model	A	B	C	F1 (N)	F2 (N)
PSPT-I10M8M-M14	44	10	72	2.0	5.5
PSPT-I20M8M-M14	44	20	82		
PSPT-I30M8M-M14	44	30	92		
PSPT-I50M8M-M14	75	50	143		

◇Note: "F1 "means spring force at 0 stroke, F2 means spring force at max stroke.



Model	A	B	C	F1 (N)	F2 (N)
PSPT-I10LM5G1M-M16	44	10	76	2.0	5.5
PSPT-I20LM5G1M-M16	44	20	86		
PSPT-I30LM5G1M-M16	44	30	96		
PSPT-I50LM5G1M-M16	75	50	147		

PSPE

PSPT

PSPH

PSPF

PJS

PJT

PJF

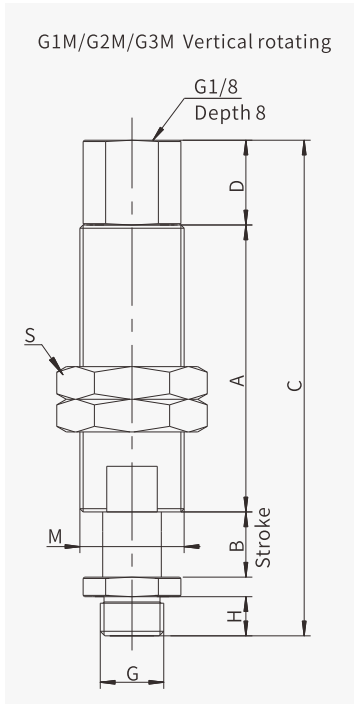
PJB

PJH

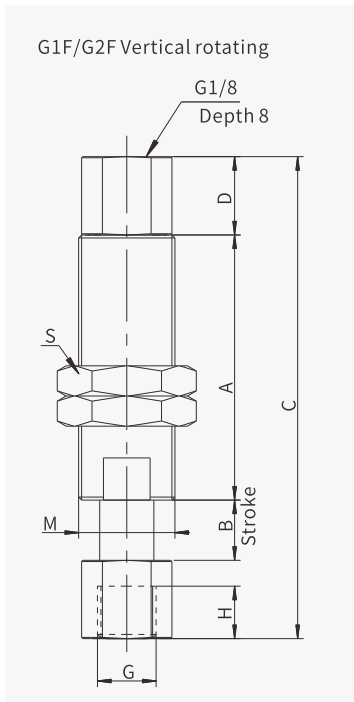
PSPT Series

Universal Level Compensator

Dimensions (mm)



Model	A	B	C	D	G	H	S	M	F1(N)	F2(N)
PSPT-I10G1M-M16	44	10	76	13	G1/8	6	20	M16x1	2.0	5.5
PSPT-I20G1M-M16	44	20	86							
PSPT-I30G1M-M16	44	30	96							
PSPT-I50G1M-M16	75	50	147							
PSPT-I10G2M-M18	28	10	65	15	G1/4	8	22	M18x1	4.0	7.0
PSPT-I20G2M-M18	38	20	85							
PSPT-I30G2M-M18	48	30	105							
PSPT-I50G2M-M18	68	50	145							
PSPT-I10G3M-M18	28	10	65	15	G3/8	8	22	M18x1	4.0	7.0
PSPT-I20G3M-M18	38	20	85							
PSPT-I30G3M-M18	48	30	105							
PSPT-I50G3M-M18	68	50	145							

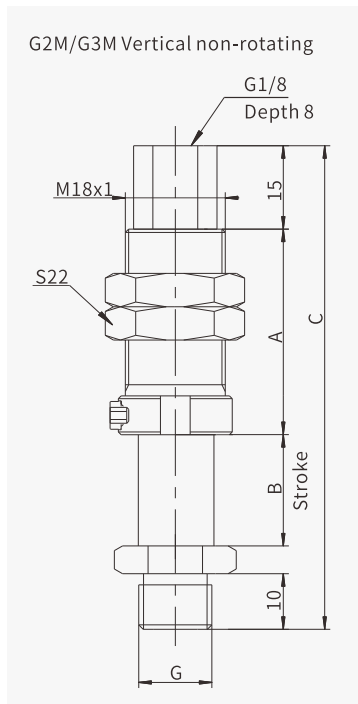


Model	A	B	C	D	G	H	S	M	F1(N)	F2(N)
PSPT-I10G1F-M16	44	10	80	13	G1/8	8	20	M16x1	2.0	5.5
PSPT-I20G1F-M16	44	20	90							
PSPT-I30G1F-M16	44	30	100							
PSPT-I50G1F-M16	75	50	151							
PSPT-I10G2F-M18	28	10	70.5	15	G1/4	12	22	M18x1	4.0	7.0
PSPT-I20G2F-M18	38	20	90.5							
PSPT-I30G2F-M18	48	30	110.5							
PSPT-I50G2F-M18	68	50	150.5							

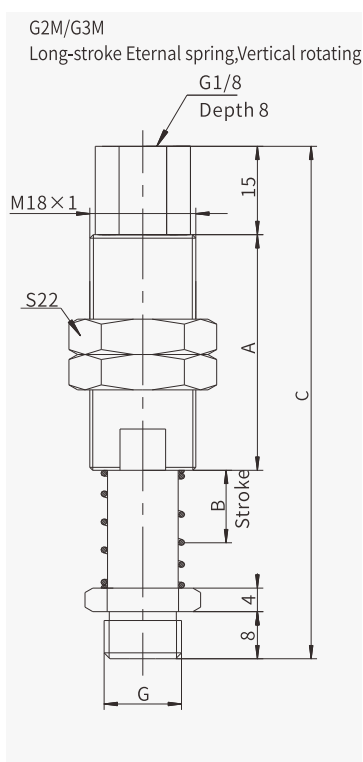
PSPT Series

Universal Level Compensator

Dimensions (mm)



Model	A	B	C	G	F1(N)	F2(N)
PSPT-I10RG2M-M18	30	10	70	G1/4	4.0	7.0
PSPT-I20RG2M-M18	40	20	90			
PSPT-I30RG2M-M18	50	30	110			
PSPT-I50RG2M-M18	70	50	150			
PSPT-I10RG3M-M18	30	10	70	G3/8	4.0	7.0
PSPT-I20RG3M-M18	40	20	90			
PSPT-I30RG3M-M18	50	30	110			
PSPT-I50RG3M-M18	70	50	150			



Model	A	B	C	G	F1(N)	F2(N)
PSPT-E75G2M-M18	40	75	170	G1/4	4.5	17.0
PSPT-E90G2M-M18	40	90	185			
PSPT-E75G3M-M18	40	75	170	G3/8	4.5	17.0
PSPT-E90G3M-M18	40	90	185			

◇Note: "F1" means spring force at 0 stroke, F2 means spring force at max stroke.

PSPE

PSPT

PSPH

PSPF

PJS

PJT

PJF

PJB

PJH